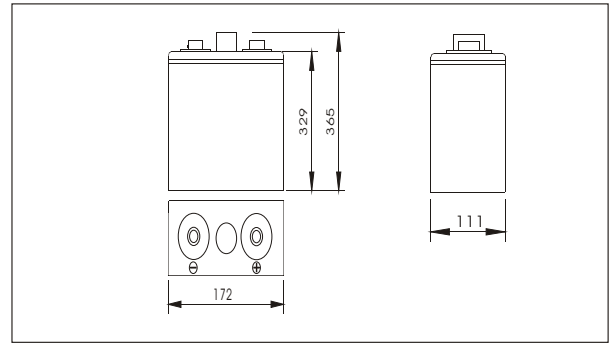




## SW22000E(2V200AH)



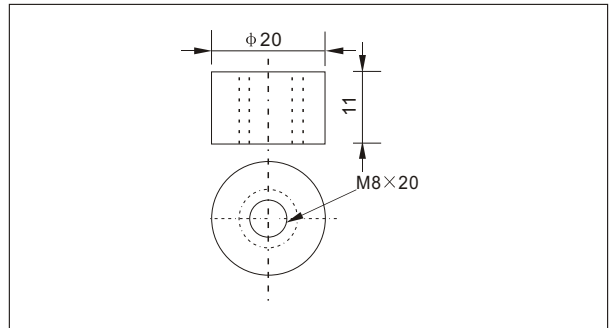
### Outer dimensions (mm)



### Specifications

|                               |                    |                      |
|-------------------------------|--------------------|----------------------|
| Nominal Voltage               | 2 V                |                      |
| Rated capacity (10 hour rate) | 200 AH             |                      |
| Dimensions                    | Total Height       | 365 mm (14.4 inches) |
|                               | Height             | 329 mm (13.0 inches) |
|                               | Length             | 172 mm (6.77 inches) |
|                               | Width              | 111 mm (4.37 inches) |
| Weight Approx                 | 13.6 Kg (29.9 lbs) |                      |

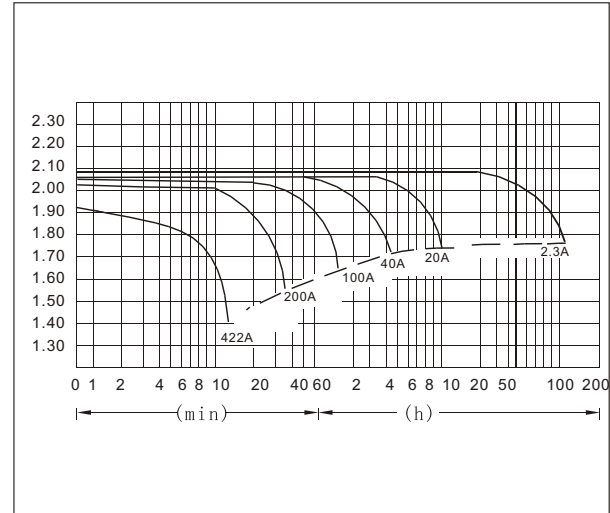
### Terminal Type (mm)



### Characteristics

|  |                                    |   |
|--|------------------------------------|---|
| Capacity<br>25°C(77°F)                         | 10 hour rate(20 A)                 | 200 AH  |
|  | 5 hour rate(32A)                   | 160 AH  |
|  | 1 hour rate(110 A)                 | 110 AH  |
|  | 1.5 hour discharge to 1.75 V       | 80 A  |
| Internal Resistance                            | Full charged Battery at 25°C(77°F) | 1.5 mΩ  |
| Capacity affected by Temperature (10hour rate) | 40°C(104°F)                        | 102%  |
|  | 25°C(77°F)                         | 100%  |
|  | 0°C(32°F)                          | 85%   |
|  | -15°C(5°F)                         | 65%   |
| Self-Discharge at 25°C(77°F)                   | Capacity after 3 month storage     | 91%   |
|  | Capacity after 6 month storage     | 82%   |
|  | Capacity after 12 month storage    | 64%   |
| Terminal                                       | T20                                |   |
| Charge (constant Voltage)                      | Cycle                              | Initial Charging Current less than 50 A<br>Voltage 2.35-2.40V |
|  | Float                              | Voltage 2.25-2.30V  |

### Discharge Curves 25°C(77°F)



### Constant Current(Amp) and Constant Power(Watt) Discharge Table at 25°C(77°F)

| Time  |   | 10min | 30min | 1h    | 3h   | 4h   | 5h   | 8h   | 10h   | 20h   | 50h | 100h |
|-------|---|-------|-------|-------|------|------|------|------|-------|-------|-----|------|
| 1.60V | A | 422   | 228   | 120   | 51.4 | 40.0 | 33.0 | 23.3 | 21.0  | 11.34 | 4.7 | 2.4  |
|       | W | 781   | 407   | 232   | 99   | 77   | 64   | 45   | 41    | 21.9  | 9.4 | 4.8  |
| 1.70V | A | 410   | 222   | 112.8 | 50.0 | 39.0 | 32.4 | 22.8 | 20.5  | 11.06 | 4.6 | 2.4  |
|       | W | 751   | 403   | 218   | 97   | 75   | 63   | 44   | 40    | 21.3  | 9.0 | 4.7  |
| 1.75V | A | 392   | 211   | 109   | 48.8 | 38.4 | 32.0 | 22.6 | 20.0  | 10.92 | 4.5 | 2.3  |
|       | W | 728   | 381   | 211   | 94   | 74   | 62   | 44   | 39    | 21.1  | 8.9 | 4.6  |
| 1.80V | A | 366   | 204   | 106   | 47.6 | 37.8 | 31.2 | 22.0 | 19.5  | 10.80 | 4.4 | 2.3  |
|       | W | 700   | 366   | 202   | 92   | 73   | 61   | 43   | 39    | 21.0  | 8.7 | 4.5  |
| 1.85V | A | 336   | 188   | 99    | 46.0 | 36.7 | 30.4 | 21.4 | 19.00 | 10.26 | 4.3 | 2.2  |
|       | W | 688   | 363   | 196   | 91   | 72   | 60   | 42   | 38    | 20.3  | 8.6 | 4.4  |