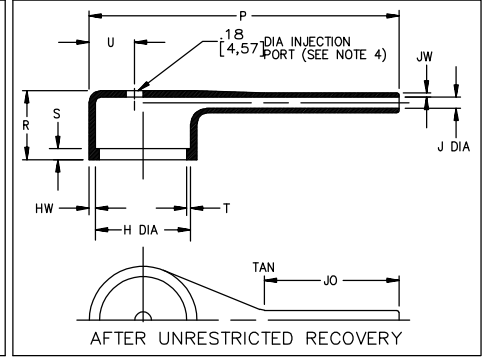
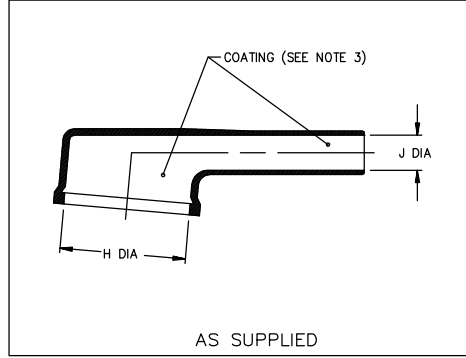


Thermofit[®] Molded Parts Specification Control Drawing

Part Number : 222D921 thru 963
Description : Boot, 90°, With Lip

NOTES

- All dimensions are in $\frac{\text{inches}}{\text{[millimeters]}}$
- Dimensions appearing in table are as follows:
 - a - As Supplied
 - b - After Unrestricted Recovery
- Coating is optional. As supplied dimensions appearing in table are for uncoated parts. When coating is added, entry diameters will be reduced by .06 max.
- Molding ports are optional. When -00 modification number is specified molding ports will be located as shown.



PART NUMBER	H		J			P	R	S	T	U	JO	HW	JW
	Min a	Max b	Min -1, -4, -8, -25 a	Min -1, -12, -100 a	Max b	±10% b	Ref b	Ref b	Ref b	±10% b	±10% b	±20% b	±20% b
222D921	.76 [19,3]	.51 [13,0]	.25 [6,3]	.18 [4,5]	.08 [2,1]	1.75 [44,5]	.64 [16,3]	.12 [3,05]	.04 [1,02]	.22 [5,6]	.86 [21,8]	.06 [1,52]	.045 [1,14]
222D932	1.03 [26,1]	.75 [19,1]	.30 [7,6]	.22 [5,6]	.10 [2,6]	2.65 [67,3]	.71 [18,0]	.12 [3,05]	.04 [1,02]	.33 [8,4]	1.15 [29,2]	.07 [1,78]	.045 [1,14]
222D953	1.35 [34,2]	1.02 [26,0]	.38 [9,6]	.26 [6,6]	.12 [3,0]	3.20 [81,3]	.74 [18,8]	.12 [3,05]	.04 [1,02]	.45 [11,4]	1.39 [36,3]	.07 [1,78]	.045 [1,14]
222D963	1.72 [43,6]	1.34 [34,1]	.45 [11,4]	.31 [7,8]	.14 [3,6]	4.55 [115,6]	.84 [21,3]	.12 [3,05]	.065 [1,65]	.61 [15,5]	1.85 [47,0]	.07 [1,78]	.045 [1,14]

IF THIS DOCUMENT IS PRINTED IT BECOMES UNCONTROLLED.
CHECK FOR THE LATEST REVISION.

STE Raychem
TE Connectivity
TE CONNECTIVITY
300 CONSTITUTION DRIVE
MENLO PARK, CALIFORNIA 94025

Revision : H1
Date : 20APR11

Part Number : 222D921 thru 963
Description : Boot, 90°, With Lip

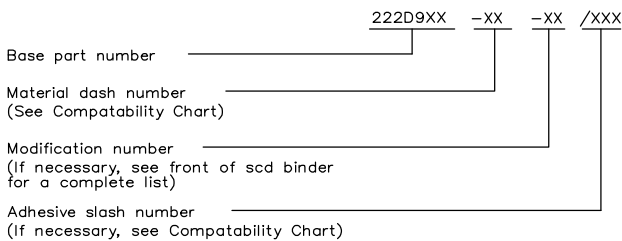
Thermofit[®] Molded Parts Specification Control Drawing

Part Number : 222D921 thru 963
Description : Boot, 90°, With Lip

MATERIAL DASH NO.	MATERIAL DESCRIPTION	RT SPEC	COATING SLASH NO.	COATING S NO.	COATING DESCRIPTION
-3	Polyolefin, Semi-rigid	RT-301	/42; /86; /87	S-1017; S-1048; S-1052	Adhesive
-4	Polyolefin, Flexible	RT-1304	/42; /86; /87	S-1017; S-1048; S-1052	Adhesive
-6	Silicone	RT-602	N/A		
-8	Polyolefin, Space	RT-1308	N/A		
-12	*VITON, Flexible	RT-1312	N/A		
-25	Elastomer, Fluid Resistant	RT-1325	/86	S-1048	Adhesive
-100	Polyolefin, Semi-flexible ZEROHAL™	RT-1323	/86; /184	S-1048; S-1030	Adhesive

*VITON is a Registered Trademark of Dupont

ORDERING INFORMATION



THIS DRAWING IS SUBJECT TO CHANGE WITHOUT NOTICE; CONSULT YOUR
NEAREST FIELD REPRESENTATIVE FOR CURRENT REVISION

STE Raychem
TE Connectivity
TE CONNECTIVITY
300 CONSTITUTION DRIVE
MENLO PARK, CALIFORNIA 94025

Revision : H1
Date : 20APR11

Part Number : 222D921 thru 963
Description : Boot, 90°, With lip

IF THIS DOCUMENT IS PRINTED IT BECOMES UNCONTROLLED.
CHECK FOR THE LATEST REVISION.

CAD FILE MP95076