

REV. C

DIMENSIONS ARE IN INCHES		UNLESS OTHERWISE NOTED		TOLERANCES ARE:		TITLE:	DWG NO:
ONE PLACE DECIMALS ± .1	THREE PLACE DECIMALS ± .005	ANGLES ± 5°				2 mm C.L. SHUNT ASSEMBLY	2SN-XX-X
TWO PLACE DECIMALS ± .01	FOUR PLACE DECIMALS ± .0020						SHEET 1 OF 1

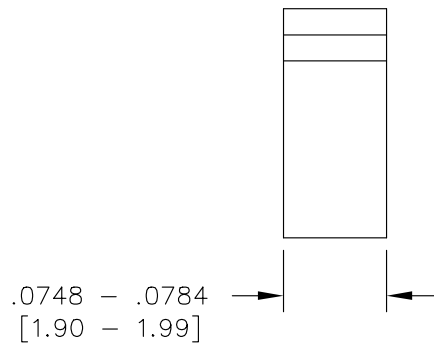
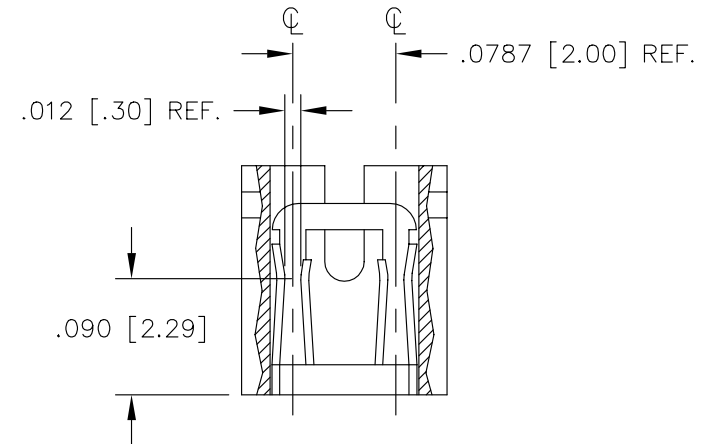
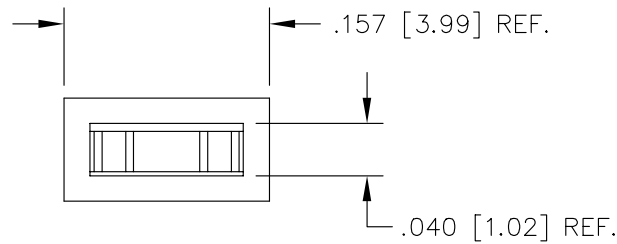
2SN-XX-X

COLOR SPECIFICATION

-BK: BLACK

PLATING SPECIFICATION

-G: GOLD: SPECIFY -G IN CONTACT SUFFIX -X



NOTES:

1. DIM IN [] ARE METRIC AND ARE NOT CONTROLLING DIMENSIONS.
2. INSULATOR MATERIAL: BLACK, GLASS-FILLED POLYESTER.
CONTACT MATERIAL: PHOSPHOR BRONZE

PROPRIETARY NOTE
THIS DOCUMENT CONTAINS INFORMATION CONFIDENTIAL AND PROPRIETARY TO SAMTEC INC. AND SHALL NOT BE REPRODUCED OR TRANSFERRED TO OTHER DOCUMENTS OR DISCLOSED TO OTHERS OR USED FOR ANY PURPOSE OTHER THAN THAT FOR WHICH IT WAS OBTAINED WITHOUT THE EXPRESSED WRITTEN CONSENT OF SAMTEC INC.

PLOT SCALE: 1=.075

samtec		MISC\MKTG 2SN-MKT
520 PARK EAST BLVD. NEW ALBANY, INDIANA 47150 PHONE (812) 944-6733 P.O. BOX 1147 CODE 55322		
MADE BY: GREG REIDINGER 3-8-93	ENG APPROVAL: PAE	2SN-XX-X
CHECKED BY: ECKERT		SHEET 1 OF 1