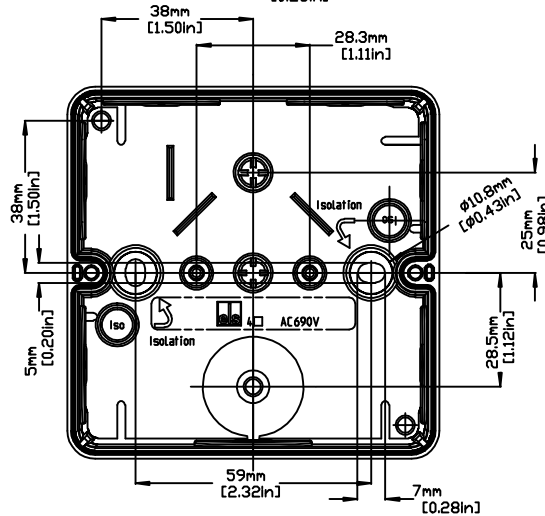
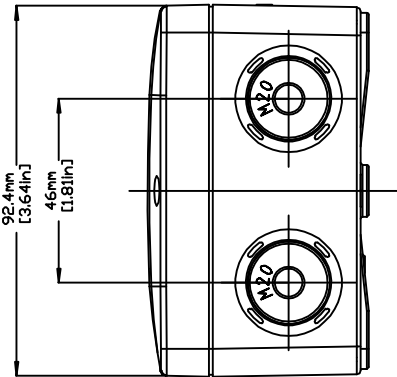
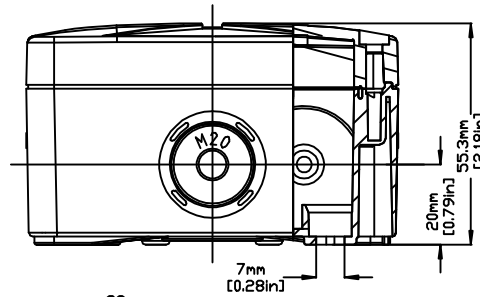
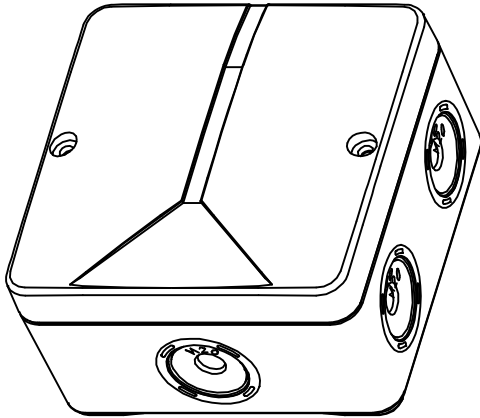
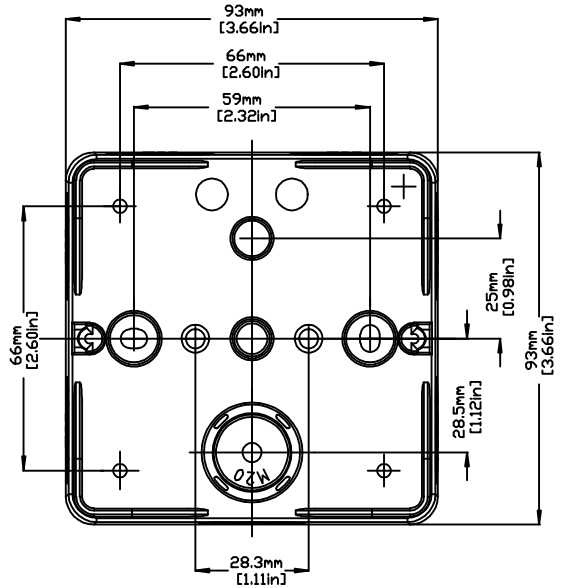
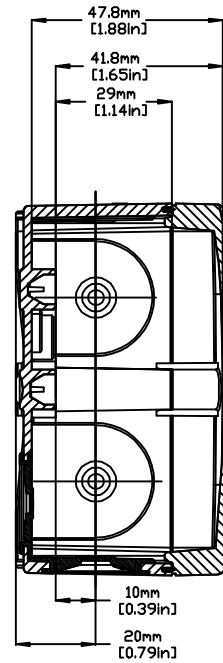


REVISIONS FOR DWG # 3EN-3IS-ABOX-ABOX\_040

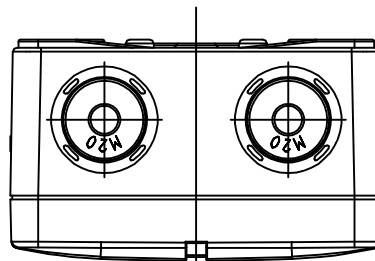
REV	CH.NO.	DESCRIPTION	DATE	REVISED BY
-	-	ORIGINAL DESIGN	08/01/11	ROLAND G



TOP VIEW WITHOUT LID



BOTTOM VIEW



UNLESS OTHERWISE SPECIFIED  
 • ALL DIMENSIONS ARE IN MILLIMETERS  
 • THIRD ANGLE PROJECTION

• TOLERANCE			
XX	mm	±	XX mm
XX.X	mm	±	XX mm
XX.XX	mm	±	XX mm
ALL	mm	±	XX mm

MTC

This Drawing is the property of  
**Altech Corp.**  
 35 Royal Road  
 Flemington NJ 08822-6000  
 (908) 806-9400 • Fax (908) 806-9490

AND IS A CONFIDENTIAL DISCLOSURE  
 LENT WITHOUT CONSIDERATION OTHER  
 THAN THE BORROWER'S AGREEMENT  
 THAT IT SHALL NOT BE REPRODUCED,  
 COPIED, LENT, OR DISPOSED OF  
 DIRECTLY OR INDIRECTLY NOR USED  
 FOR ANY PURPOSE OTHER THAN THAT  
 FOR WHICH IT IS SPECIFICALLY  
 FURNISHED.

TITLE: POLYSTYRENE/ POLYCARBONATE ENCLOSURE  
 ABOX 040

DRAWN BY: ROLAND GYORGPAL	08/01/2011	DRAWING NO.:	3EN-3IS-ABOX-ABOX_040	REV.:	-
CHECKED BY: JEFF ROYE	08/01/2011	SCALE:	-	SHEET:	1 OF: 1
RELEASED BY: LASZLO G.	08/01/2011				