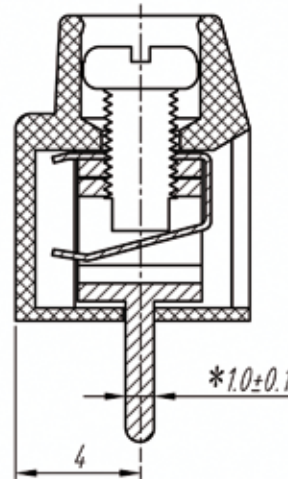
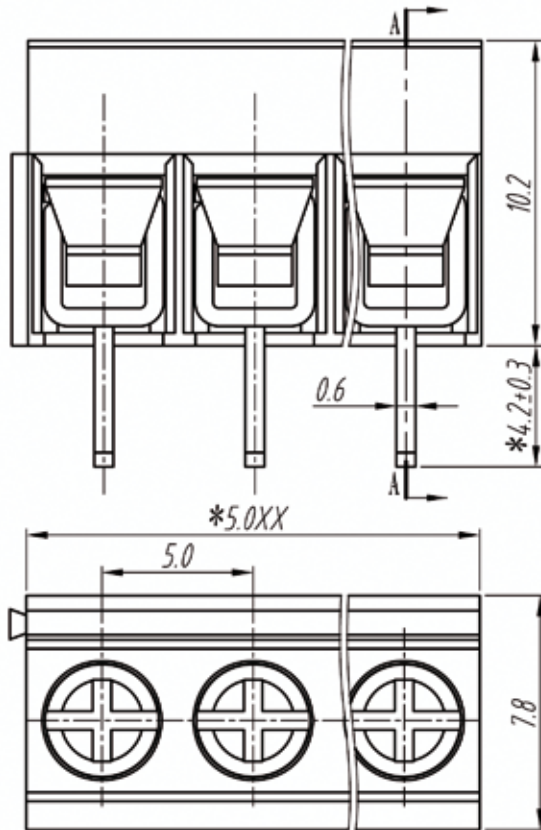


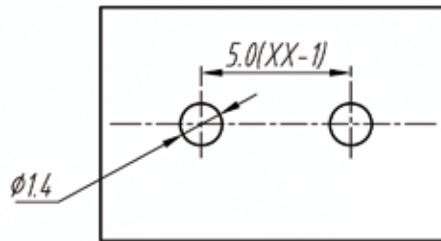
euro-block

product specification



SECTION A-A

P.C.B.LAYOUT



Electrical

Standard: UL-IEC
 Rated voltage: 300V-450V
 Rated current: 8A-18A
 Wire range: 26-14AWG-1.5mm²
 Withstanding voltage: AC2000V/1Min

Mechanical

Torque: 0.4Nm (3.6Lb'in)
 Temp.Range: -40°C~+105°C
 Strip length: 6-7mm

Dimensions

Pitch: 5.00mm (0.197")
 Poles: 2p-xxp

Material

Housing: PA66, UL94V-0
 Screws: M2.5, steel, Zinc plated
 Pin header: Brass, Tin plated
 Wire guard: Phosphor bronze, Ni plated

TOLERANCES EXCEPT AS NOTED

variable range	linear dimension				fillet	chamfer	short angle sid			≡	-	□	//	⊥		
	to 6	over 6 to 30	over 30 to 120	over 120 to 480	all	to 6	to 10	to 10 to 50	to 50 to 120						to 5	to 30
tolerance	±0.1	±0.2	±0.3	±0.5	±0.2	±0.5	±1	1'	30'	20'	10'	0.5	0.025	0.06	0.12	0.4

UNITS	mm	SIZE	A4	SCALE	FIRST ANGLE PROJECTION	
 euro-block						
					NAME	BLR51-V