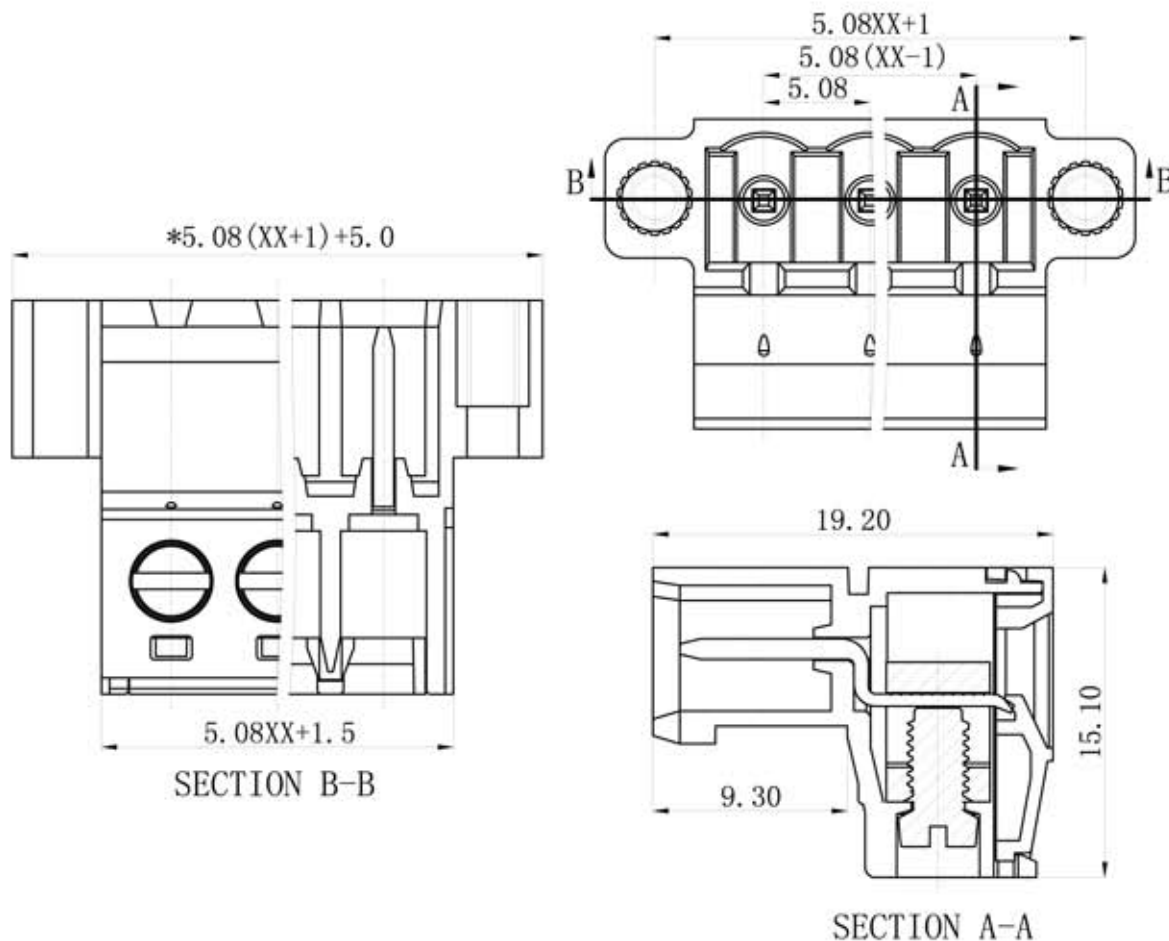


euro-block

product specification



Electrical

Standard: UL-IEC
 Rated voltage: 300V-320V
 Rated current: 15A-20A
 Contact resistance: 20m Ω
 Wire range: 28-14AWG-2.5mm²
 Withstanding voltage: AC2000V/1Min
 Insulation resistance: 5000M Ω /DC1000V

Mechanical

Torque: 0.5Nm (4.5Lb'in)
 Temp.Range: -40°C~+105°C
 Strip length: 7mm
 MAX soldering: +250°C for 5 sec

Dimensions

Pitch: 5.08mm
 Poles: 2p-xxp

Material

Housing: PA66, UL94V-0
 Screws: M3.0 steel Zinc plated
 Pin header: Pin header, Tin plated
 Clamp: Brass, Ni plated

Schema generale del codice di ordinazione / General description of ordering code

serie	n°poli	passo	versione	colore	custom
CRS	02/24	5.08/10.16	G		

TOLERANCES EXCEPT AS NOTED

	linear dimension				fillet	chamfer	∠	short angle	sid	≡	—	□	//	⊥			
variable	over	over	over	over	over	over	over	over	over	over	over	over	over	over			
range	to	to	to	to	all	to	to	to	to	all	to	to	to	to			
tolerance	±0.1	±0.2	±0.3	±0.5	±0.9	±0.2	±0.5	±1	1°	30'	20'	10'	0.5	0.025	0.06	0.12	0.4

UNITS	mm	SIZE	A4	SCALE	FIRST ANGLE PROJECTION	
NAME					CRS-5.08-G	