

IFO2225-851-FL

22" TFT Fanless Super Slim Touch Panel Computer with Intel® Core™2 Duo Processor up to 2.53 GHz



- | | | |
|------------------------------|----------------------------|----------------------|
| 1. Brightness adjust buttons | 5. COM 2 (RS-232) | 11. Power connector |
| 2. Volume adjust buttons | 6. COM 1 (RS-232/422/485) | 12. PCI or PCIe slot |
| 3. Power switch | 7. Ethernet x 2 | 13. USB 2.0 x 2 |
| 4. MIC | 8. USB 2.0 x 2 | 14. COM 3 (RS-232) |
| | 9. Audio (Line-out/Mic-in) | |
| | 10. VGA | |



Introduction

The IFO2225-851-FL is a slim panel computer equipped with a 22-inch 300 nits high brightness WSXGA+ LCD display that supports an Intel Core 2 Duo/Celeron M processor. Powered by Intel® GM45+ICH9M core logic chipset with maximum 256 MB sharing graphics memory, this panel computer has enhanced graphics performance. The panel also supports DualView and multiple I/O options including 2 USB 2.0 and 3 RS-232 ports.

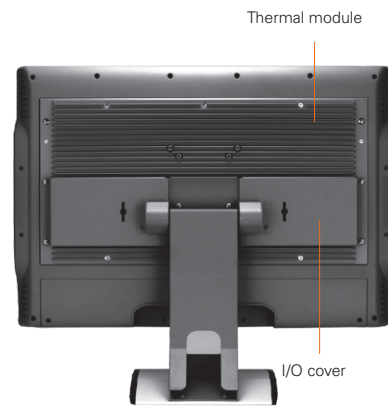
The built-in 1.3 mega pixels camera and microphone/speakers can provide a solution for VoIP and remote monitoring. The IFO2225-851-FL also supports an antenna for wireless (802.11 b/g) connection. Its dual Gigabit Ethernet ports provide high speed Ethernet as well as a high reliable redundancy host connection. This robust unit is designed to be work under minimal noise levels, low power consumption, high reliability and while maintaining efficient performance. Its excellent industrial design (ID) and user friendly interface design make it an ideal solution best suited for infotainment, advertising messaging, and other digital signage applications.

Water/dust-proof design for entire system: IPX1

The IPX1-rated water/dust-proof housing protects the entire system from outside damage caused by water drip damage while installed at public or enclosed environments. Its unique design improves system stability while saving time and money on maintenance costs and re-installation time.

Features

- 22" high brightness (300 nits) WSXGA+ TFT LCD
- Fanless design with socket P Intel® Core™2 Duo or Intel® Celeron® M processor
- Water/dust-proof design (front bezel: IP65, full enclosure: IPX1)
- 1 PCI or PCIe x4 expansion slot (optional)
- Optional bluetooth/internal WiFi (802.11 b/g)
- Optional 1.3 mega pixels camera



▲ Rear view

Specifications

Front Bezel	Plastic ABS (Black)	
LCD Panel	Display Type	22" WSXGA+ TFT
	Brightness (cd/m ²)	300 nits
	Resolution	1680 x 1050
	Viewing Angle (H/V)	160°/160°
Main System	CPU	Socket P Intel® Core™2 Duo or Intel® Celeron® M processor
	Chipset	Intel® GM45 + ICH9M
	System Memory	Supports 2 x DDR3 SO-DIMM memory up to 8 GB
	BIOS	AMI BIOS with SmartView and customer CMOS backup
	Storage	Supports 1 x 2.5" SATA HDD 1 x CompactFlash™
	Optional Drive	1 x Super Multi drive (for IFO-2225-851-FL-AC-CO)
	Watchdog Timer	255 levels, 0-255 sec.
	Onboard Graphics	Intel® GM45; max. memory shared 256 MB

Specifications

I/O Connectors	2 x RS-232 (COM 2/3) 1 x RS-232/422/485 (COM 1) 4 x USB 2.0 1 x Audio (Mic-in/Line-out) 2 x 10/100/1000Mbps Ethernet 1 x VGA
Expansion Interface	1 x PCI or PCIe x4 slot (optional)
Camera	1 x 1.3 mega pixels camera
Touchscreen	Resistive type Light transmission: 80% Touch life: 35 million touches
Power Supply	24VDC with AC-DC adaptor
Dimensions	573.5 mm (22.57") (W) x 75.9 mm (2.98") (D) x 398.9 mm (15.7") (H)
Packing Dimensions	730 mm (28.74") (W) x 240 mm (9.45") (D) x 650 mm (25.59") (H)
Weight (net/gross)	10.58 kg (23.32 lb)/15.16 kg (33.42 lb)
Environment	Operating temperature: 0° ~ +40°C (32°F ~ 104°F) Storage Temperature: -20°C ~ +60°C (-4°F ~ +140°F) Relative humidity: 10% ~ 95%, non-condensing
Certification	CE

Ordering Information

IF02225-851-FL-AC-DVDRW	22" WSXGA TFT socket P fanless touch panel computer with resistive T/S, Super Multi drive and camera
IF02225-851-FL-AC-PCI	22" WSXGA TFT socket P fanless touch panel computer with resistive T/S, PCI expansion, Super Multi drive and camera
IF02225-851-FL-AC-PCIe	22" WSXGA TFT socket P fanless touch panel computer with resistive T/S, PCIe expansion, Super Multi drive and camera
IF02225-851-FL-AC	22" WSXGA TFT socket P fanless touch panel computer with resistive T/S (w/o Super Multi drive and camera)

* Specification and certifications are based on options and may vary.

* Super Multi drive includes DVD-R, DVD-RW and DVD-RAW.

Optional Accessories

E202003330	VM-101 VESA ARM (clamp type)
E202003329	VM-105 VESA ARM (wall mount type)
E222175103	22" stand kit

Optional OS Installation

Windows® XP
Windows® 7
Linux kernel 2.6

Overview

Industrial Panel Computers & Monitors

Heavy-duty Fanless Touch Panel Computers

Digital Signage Solutions

Healthcare & Medical Solutions

Open Frame Panel Computers

Accessories

Dimensions

