



SCHOTTKY BARRIER BRIDGE RECTIFIER

VOLTAGE RANGE 80 TO 200Volts CURRENT 1.0 Ampere

FEATURES

- * Low switching noise
- * Low forward voltage drop
- * High current capability
- * High switching capability
- * High surge capability
- * High reliability

MECHANICAL DATA

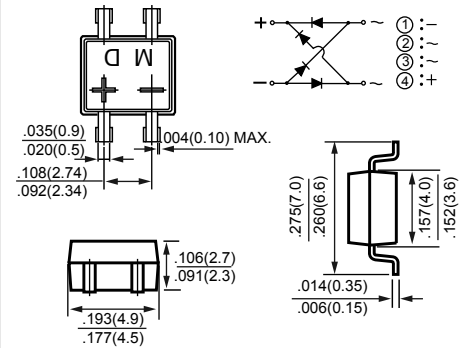
- * Case: Molded plastic
- * Epoxy: Device has UL flammability classification 94V-0
- * Lead: MIL-STD-202E method 208C guaranteed
- * Mounting position: Any
- * Weight: 0.134 gram

MAXIMUM RATINGS AND ELECTRICAL CHARACTERISTICS

Ratings at 25 °C ambient temperature unless otherwise specified.



MDS



MAXIMUM RATINGS (@ TA=25 °C unless otherwise noted)

RATINGS	SYMBOL	KMD80S	KMD100S	KMD150S	KMD200S	UNITS
Maximum Recurrent Peak Reverse Voltage	V_{RRM}	80	100	150	200	Volts
Maximum RMS Voltage	V_{RMS}	56	70	105	140	Volts
Maximum DC Blocking Voltage	V_{DC}	80	100	150	200	Volts
Maximum Average Forward Rectified Current at Derating Lead Temperature	I_O	1.0				Amps
Peak Forward Surge Current 8.3 ms single half sine-wave superimposed on rated load (JEDEC method)	I_{FSM}	40				Amps
Typical Thermal Resistance (Note 1)	$R_{\theta JA}$	50				°C/W
	$R_{\theta JL}$	15				
Typical Junction Capacitance (Note 3)	C_J	110				pF
Operating Temperature Range	T_J	150				°C
Storage Temperature Range	T_{STG}	-55 to + 150				°C

ELECTRICAL CHARACTERISTICS (@TA=25 °C unless otherwise noted)

CHARACTERISTICS	SYMBOL	KMD80S THRU KMD200S	UNITS
Maximum Instantaneous Forward Voltage at 1.0 A DC	V_F	0.85	Volts
Maximum Average Reverse Current at Rated DC Blocking Voltage	I_R	@ $T_A = 25^\circ\text{C}$	200
		@ $T_A = 100^\circ\text{C}$	2
			uA
			mA

- NOTES : 1. Thermal Resistance : At 9.5mm lead lengths, PCB mounted.
 2. Measured at 1 MHz and applied reverse voltage of 4.0 volts.
 3. "Fully ROHS compliant", "100% Sn plating (Pb-free)".

RATING AND CHARACTERISTICS CURVES (KMD80S THRU KMD200S)

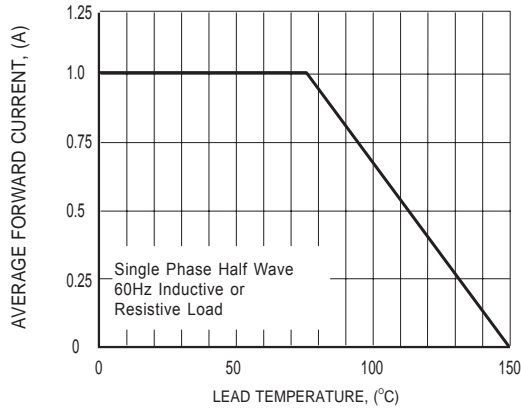


FIG.1 TYPICAL FORWARD CURRENT DERATING CURVE

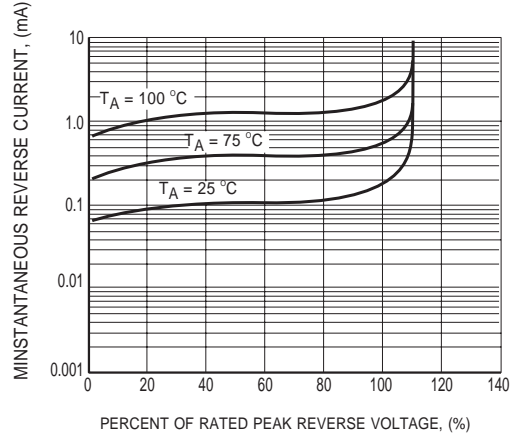


FIG.2 TYPICAL REVERSE CHARACTERISTICS

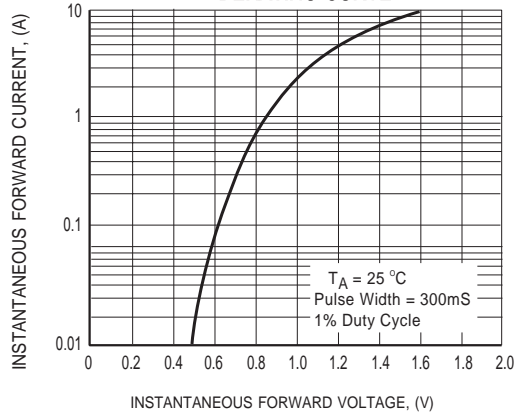


FIG.3 TYPICAL INSTANTANEOUS FORWARD CHARACTERISTICS

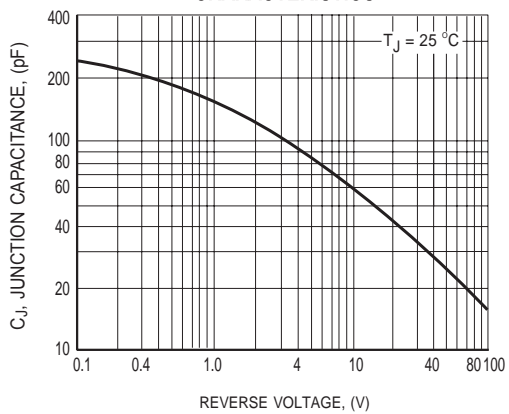


FIG.4 TYPICAL JUNCTION CAPACITANCE

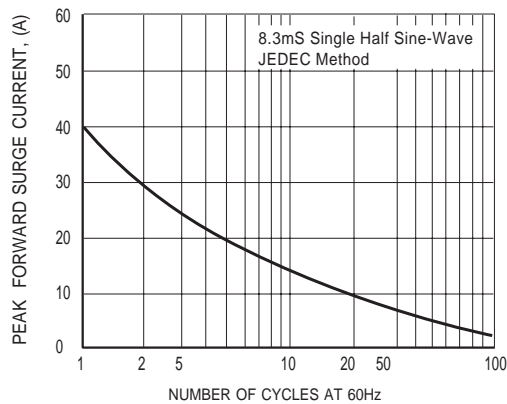
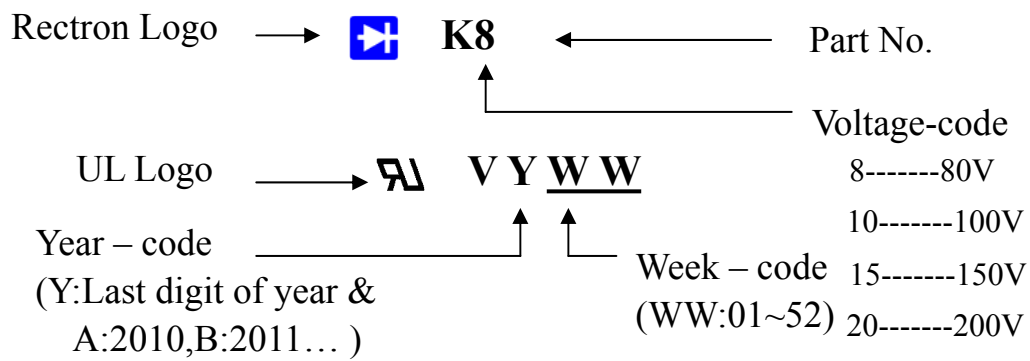


FIG.5 MAXIMUM NON-REPETITIVE FORWARD SURGE CURRENT

Marking Description



DISCLAIMER NOTICE

Rectron Inc reserves the right to make changes without notice to any product specification herein, to make corrections, modifications, enhancements or other changes. Rectron Inc or anyone on its behalf assumes no responsibility or liability for any errors or inaccuracies. Data sheet specifications and its information contained are intended to provide a product description only. "Typical" parameters which may be included on RECTRON data sheets and/ or specifications can and do vary in different applications and actual performance may vary over time. Rectron Inc does not assume any liability arising out of the application or use of any product or circuit.

Rectron products are not designed, intended or authorized for use in medical, life-saving implant or other applications intended for life-sustaining or other related applications where a failure or malfunction of component or circuitry may directly or indirectly cause injury or threaten a life without expressed written approval of Rectron Inc. Customers using or selling Rectron components for use in such applications do so at their own risk and shall agree to fully indemnify Rectron Inc and its subsidiaries harmless against all claims, damages and expenditures.