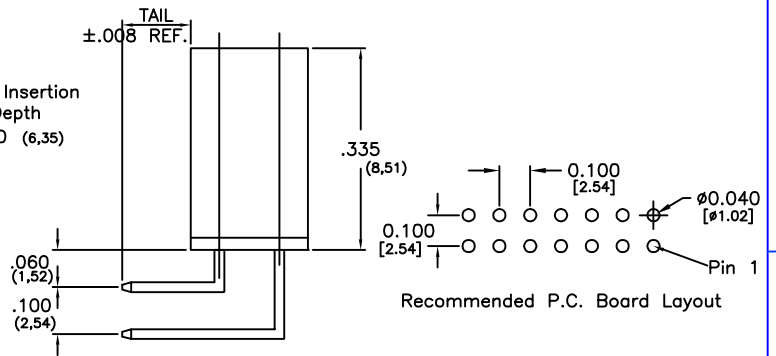
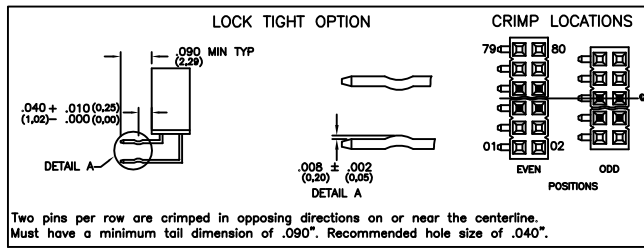
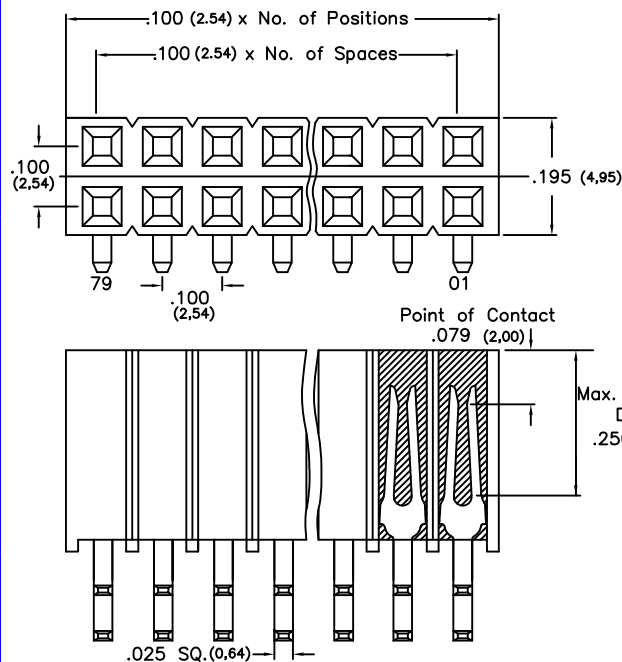


Major League Electronics .100 cl Socket Strips Right Angle using .025" sq. pins



Tails may be clipped to achieve desired pin length

Ordering Information

SSHQR-1 [X] - D - [X] - [X] - [X] - [X] - LF

Pins Per Row: 01-40
 Row Specification: D = Dual Row

Lead Free
 Polarized Position: Leave blank if not needed. If required, specify empty pin position, e.g. 012 for Pin 12.
 Lock Tight "LT" (Optional): Leave blank if not needed. LT = With

Pin Option		
Tail		
.100	2.54mm	02
.290	7.37mm	04

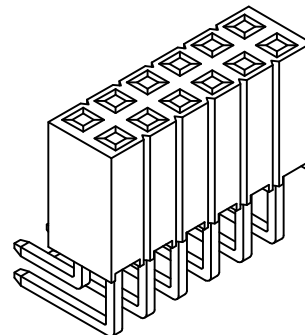
Plating Options	
G	- 10µ Gold on Contact area/Flash on Tail
T	- Matte Tin all Over
GT	- 10µ Gold on Contact Area / Matte Tin on Tail
H	- 30µ Gold on Contact Area / Matte Tin on Tail
F	- Gold Flash over Entire Pin

Specifications

Insertion Depth: .145 (3,68) to .250 (6,35)
 Insertion Force - Per Contact - H Plating:
 6oz. (1,67N) avg with .025 (0,64mm) sq. pin
 Withdrawal Force - Per Contact - H Plating:
 5oz. (1,39N) avg with .025 (0,64mm) sq. pin
 Current Rating: 3.0 Ampere
 Insulation Resistance: 1000MΩ Min.
 Dielectric Withstanding: 600V AC
 Contact Resistance: 20 mΩ Max.
 Operating Temperature: -40°C to + 105°C
 Max. Process Temperature:
 Peak: 260°C up to 20 secs.
 Process: 230°C up to 60 secs.
 Wave: 260°C up to 6 secs.
 Manual Solder: 350°C up to 5 secs.

Materials

Contact Material: Phosphor Bronze
 Insulator Material: Nylon 6T
 Plating: Au or Sn over 50µ" (1,27) Ni



Mates with:

- BSTC, TSHCR,
- BSTCM, TSHCRE,
- BSTCR, TSHCRSM,
- BSTCRSM, TSHR,
- BST, TSHRE,
- LBSTCM, TSHS,
- LTSHCR, TSHSCM,
- LTSHCRE, TSHSM,
- LTSHR, ULTSHSM,
- LTSHRE, ULTSHC,
- LTSHSM, ULTHSCR
- TSHC,

Products cut to specific sizes are uncancellable/nonreturnable Parts are subject to change without notice

SSHQR-1-D SERIES	.100 cl Dual Row - Right Angle Socket Strips using .025" sq. pins	18 JAN 07	Scale NTS
	4235 Earnings Way, New Albany, Indiana, 47150, USA 1-800-782-3486 (USA/Canada/Mexico) Tel: 812-944-7244 Fax: 812-944-7268 E-mail: mle@mlelectronics.com Web: www.mlelectronics.com	Edition 1	
		Sheet 1/1	

UNLESS OTHERWISE SPECIFIED DIMENSIONS IN INCHES (MM) TOLERANCES ARE:
 ONE PLACE DECIMALS ±.100
 TWO PLACE DECIMALS ±.010
 THREE PLACE DECIMALS ±.005
 FOUR PLACE DECIMALS ±.0020
 ANGLES 3/4