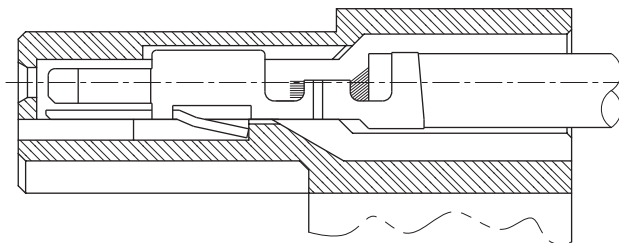
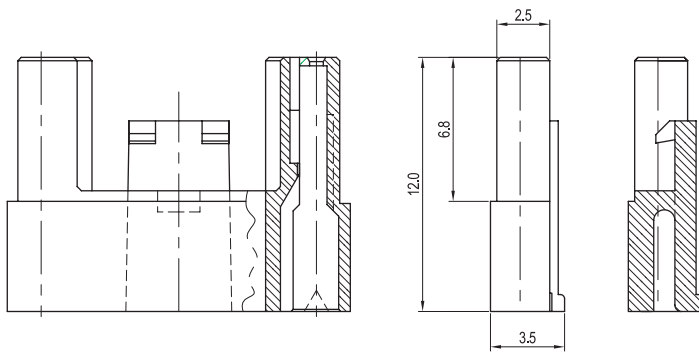
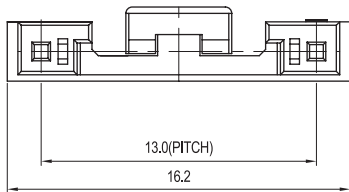
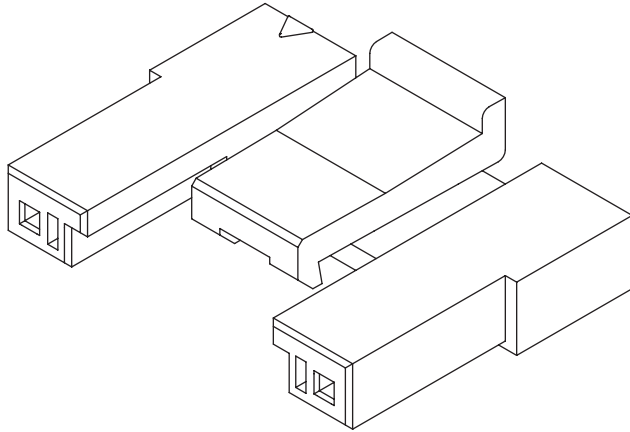


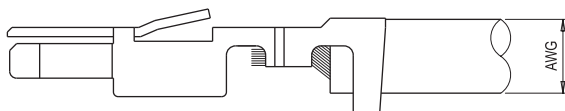
13.0mm (0.512") PITCH CONNECTOR

**Wire-to-Board
Housing**

130001HS Series



TERMINAL ASSEMBLY DRAWING



AWG : #24 ~ #28

Material

| I/NO | DESCRIPTION | TITLE | MATERIAL |
|------|-------------|----------|--------------------|
| 1 | HOUSING | 130001HS | PA66, UL94 V Grade |

Specification

| ITEM | SPEC |
|------------------------|---------------|
| Voltage Rating | AC/DC 1400V |
| Current Rating | AC/DC 1A |
| Operating Temperature | -25°C ~ +85°C |
| Contact Resistance | 30mΩ MAX |
| Withstanding Voltage | AC3800V/1min |
| Insulation Resistance | 1000MΩ MIN |
| Applicable Wire | AWG #24~#28 |
| Applicable P.C.B | - |
| Applicable FPC/FFC | - |
| Solder Height | - |
| Crimp Tensile Strength | - |
| UL FILE NO | - |

Application Terminal : 35001TS-L (179 page)