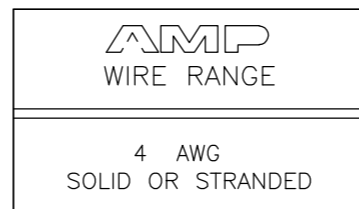
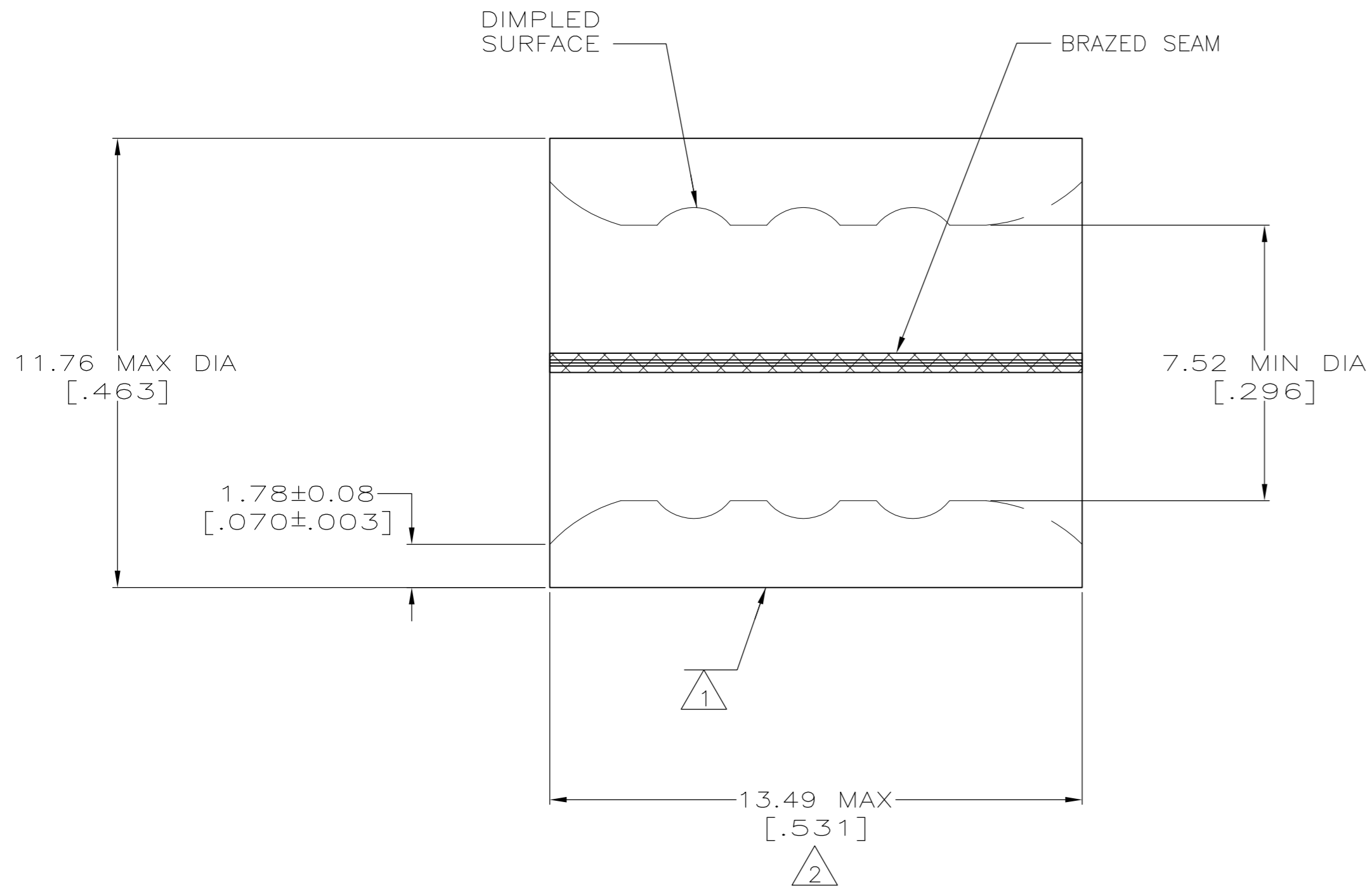


THIS DRAWING IS UNPUBLISHED. RELEASED FOR PUBLICATION  
 © COPYRIGHT - By - ALL RIGHTS RESERVED.

LOC	DIST	REVISIONS					
		P	LTR	DESCRIPTION	DATE	DWN	APVD
G	14		H3	REVISED PER ECO-11-004820	11MAR11	RK	HMR



- 1 STAMP AMP 4W\* APPROX AS SHOWN
- 2 MAXIMUM LENGTH DOES NOT INCLUDE MANUFACTURING TABS
- 3 MATERIAL: COPPER PER ASTM B152 ANNEALED
- 4 TIN PLATE 0.00254 [.000100] MIN THK PER ASTM B545
- 5 TIN/LEAD (60/40) PLATE, 0.00254 [.000100] MIN THK PER SAE-AMS-P-81728
- 6 UL LISTED E13288, 4 AWG STRANDED
- 7 CSA CERTIFIED LR7189, 4 AWG SOLID OR STRANDED



APPROVALS	QTY	PACKAGE TYPE	FINISH	PART NO
6 7	20	LOOSE PIECE, BOX	4	8-34320-5
---	----	LOOSE PIECE	5	34320-1
6 7	----	LOOSE PIECE	4	34320

AMP INCORPORATED CUSTOMER SERVICE SYSTEMS		MAX RECOMMENDED OPERATING TEMPERATURE: 170° C
FOR ADDITIONAL PRODUCT INFORMATION OR COPIES OF DRAWINGS AND TECHNICAL DOCUMENTS	PRODUCT INFORMATION CENTER 1-800-522-6752	VOLTAGE RATING: N/A
FOR APPLICATION TOOLING INFORMATION	TOOLING ASSISTANCE CENTER 1-800-722-1111	CIRCULAR MIL AREA: 16.8-26.7mm² [33,100-52,600] SOLID OR STRANDED
FOR ORDER ENTRY	1-800-526-5142	THIS DRAWING IS A CONTROLLED DOCUMENT FOR AMP INCORPORATED. IT IS SUBJECT TO CHANGE AND THE CONTROLLING ENGINEERING ORGANIZATION SHOULD BE CONTACTED FOR THE LATEST REVISION.

THIS DRAWING IS A CONTROLLED DOCUMENT.		DWN TA BRINKMAN 4-14-93		
DIMENSIONS: INCHES		CHK DA PATTERSON 4-14-93		
TOLERANCES UNLESS OTHERWISE SPECIFIED:		APVD DA PATTERSON 4-14-93	NAME SPLICE, PARALLEL, SOLISTRAND	
0 PLC ± -		PRODUCT SPEC	SIZE A2	
1 PLC ± -		APPLICATION SPEC	CAGE CODE 00779	
2 PLC ± -		WEIGHT	DRAWING NO C=34320	
3 PLC ± -		MATERIAL	RESTRICTED TO	
4 PLC ± -		FINISH	SCALE 10:1	
ANGLES ± -		SEE TABLE	SHEET 1 of 1	
MATERIAL		3	REV H3	
CUSTOMER DRAWING		SCALE 10:1 SHEET 1 of 1 REV H3		