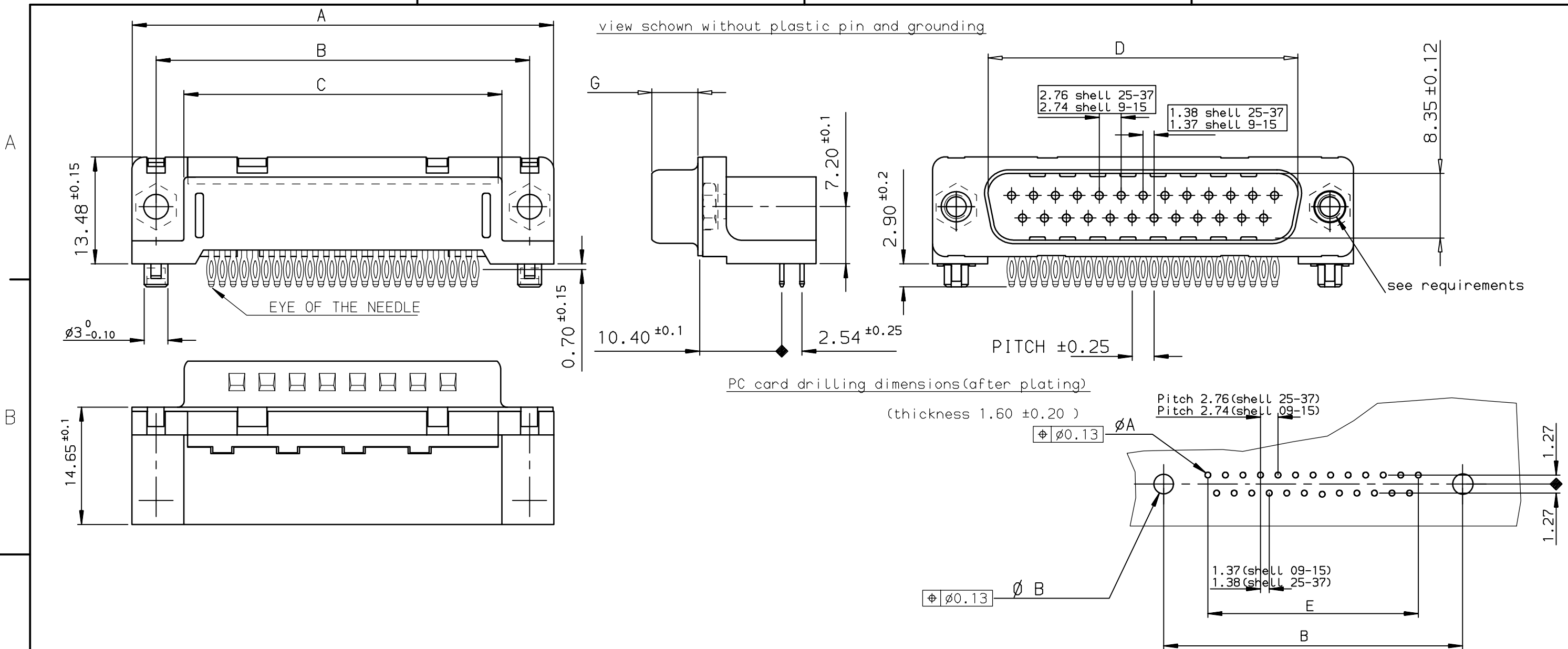


1

2

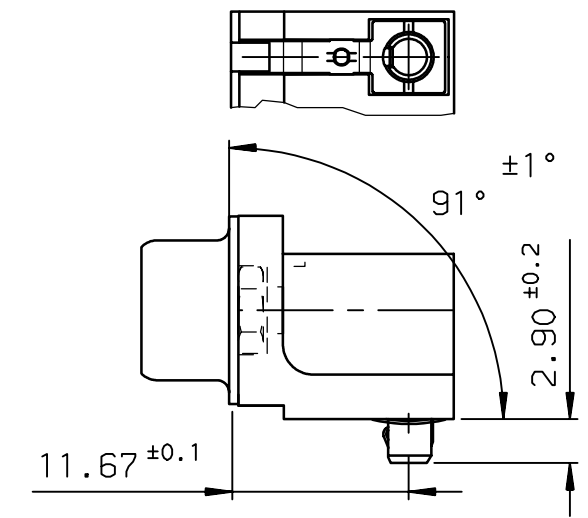
3

4



| SHELL | A±0.38 | B±0.12 | C±±0.10 | D +0.25 | E±0.07 | G          | TIN LEAD P/N | TIN LEAD P/N | LEAD FREE P/N  | LEAD FREE P/N  |
|-------|--------|--------|---------|---------|--------|------------|--------------|--------------|----------------|----------------|
| 09    | 30.81  | 24.99  | 18.00   | 16.79   | 10.96  | 5.90 ±0.15 | D09P81C4GL00 | D09P81C6GL00 | D09P81C4GL00LF | D09P81C6GL00LF |
| 15    | 39.14  | 33.32  | 26.32   | 25.12   | 19.18  | 5.90 ±0.15 | D15P81C4GL00 | D15P81C6GL00 | D15P81C4GL00LF | D15P81C6GL00LF |
| 25    | 53.03  | 47.04  | 40.04   | 38.84   | 33.12  | 5.70 ±0.25 | D25P81C4GL00 | D25P81C6GL00 | D25P81C4GL00LF | D25P81C6GL00LF |
| 37    | 69.32  | 63.50  | 56.50   | 55.30   | 49.68  | 5.70 ±0.25 | D37P81C4GL00 | D37P81C6GL00 | D37P81C4GL00LF | D37P81C6GL00LF |
|       |        |        |         |         |        |            | Gold flash   | 0,76 µ gold  | Gold flash     | 0,76 µ gold    |

Detail of grounding strip



**GENERAL CHARACTERISTICS AND ROHS INFORMATIONS:**  
**SEE DRAWING C01-8646-0001**

European Views

|                    |           |            |            |  |                                   |                         |                                       |                  |
|--------------------|-----------|------------|------------|--|-----------------------------------|-------------------------|---------------------------------------|------------------|
| www.fciconnect.com |           |            |            | surface<br>ISO 1302 ✓  | tolerance std<br>ISO 406 ISO 1101 | projection<br>mm        | TOLERANCES UNLESS OTHERWISE SPECIFIED |                  |
| Dr                 | PESSON    | 1996/12/06 |            | ANGULAR  | LINEAR                            | 0.X                     | ±0.1                                  | size<br>A3       |
| Eng                | PESSON    | 1996/12/06 |            | 0.XX   | ±0.1                              | 0.XXX                   | ±0.1                                  | Scale<br>2       |
| Chr                | -         | -          |            | 0.XX' ±2°  |                                   |                         |                                       | ECN<br>LS06-0140 |
| Appr               | LEGARE    | 1996/12/06 |            | Product family<br>D-SUB  |                                   | Spec ref -              |                                       |                  |
| rev                | ecn no    | dr         | date       | Title<br>MALE CONNECTOR DELTA D EUROPE<br>RIGHT ANGLED PRESS-FIT |                                   | dwg no<br>C01-8646-0521 |                                       | Rev.<br>F        |
| C                  | -         | MAS        | 1999/07/23 | catalog no   |                                   | CUSTOMER                |                                       | sheet 1 of 1     |
| D                  | LS05-004  | LMA        | 2005/01/21 |  |                                   |                         |                                       |                  |
| E                  | LS06-0097 | LGO        | 2006/07/28 |  |                                   |                         |                                       |                  |
| F                  | LS06-0140 | LGO        | 2006/09/22 |  |                                   |                         |                                       |                  |

1

2

3

Copyright FCI. FCI