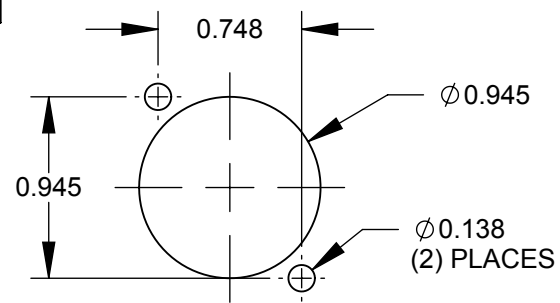
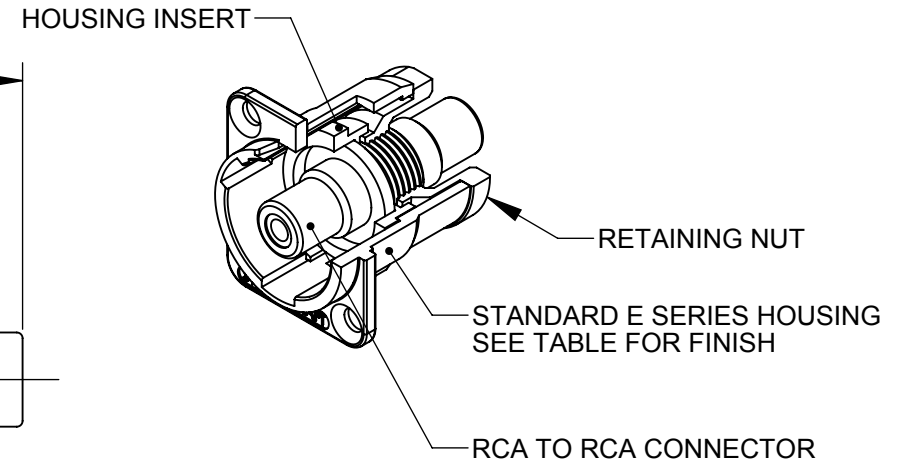
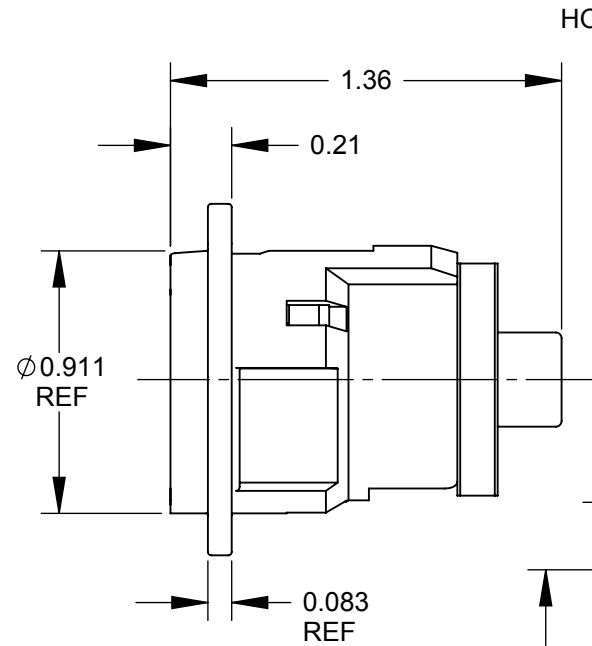


✓  $\phi 0.138$  THRU  
 $\phi 0.230 \times 82^\circ$   
 (2) PLACES REF



NOTES:

- MATERIALS:  
 HOUSING - ZINC ALLOY  
 HOUSING INSERT - THERMOPLASTIC, BLACK  
 RETAINING NUT - THERMOPLASTIC, BLACK  
 RCA CONNECTOR - COPPER ALLOY, NICKEL PLATED
- THIS PRODUCT IS RoHS COMPLIANT.

PART NUMBER	HOUSING FINISH
EHRCA2X	NICKEL
EHRCA2BX	BLACK CHROME

**CUSTOMER DRAWING**

					THIS DRAWING DESCRIBES A DESIGN CONSIDERED PROPRIETARY IN NATURE, DEVELOPED AND MANUFACTURED BY SWITCHCRAFT INC. AND IS RELEASED ON A CONFIDENTIAL BASIS FOR IDENTIFICATION PURPOSES ONLY.				
					SIZE	WIDTH	MULT	LBS/M	TEMPER
					UNLESS OTHERWISE SPECIFIED			FINISH	
					1. ALL DIMENSIONS IN INCHES			MATERIAL	
					- TWO PLACE DECIMALS $\pm 0.02$			SPEC No.	
					- THREE PLACE DECIMALS $\pm 0.005$			FIRST USED ON	
B	26415	7/17/09	RS	TJK	SCALE 1.5:1				
A	26104	8/31/06	RF	TJK	DATE DRAWN	BY	CHKD		
REV	ECO NUMBER	DATE	BY	APVD	8/31/06	RF	RF	8/31/06	8/31/06
REVISIONS					DO NOT SCALE DRAWING				
					NAME			PART No.	
					E SERIES CONNECTOR, RCA, FEEDTHROUGH, RoHS			EHRCA2_X SERIES	
								REV B	