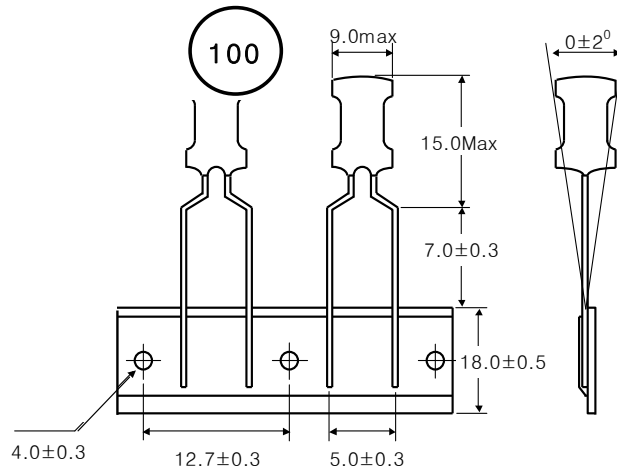


Leaded type

▼ Shape & Dimensions / Recommended Solder Land Pattern

(Dimensions in mm)



▼ Electrical Characteristics

Ordering Code	Inductance		Freq.	DC Resistance(Ω)	Rated DC current(A)
	L (uH)	Tol. (%)	F (MHz)	Rdc (Max.)	
LPL0813T-100M	10	±20	2.52	0.19	1.20
LPL0813T-150K	15	±10		0.23	1.00
LPL0813T-220K	22			0.28	0.90
LPL0813T-470K	47			0.57	0.63
LPL0813T-101K	100		0.796	0.92	0.42
LPL0813T-221K	220			0.95	0.40
LPL0813T-331K	330			1.05	0.41
LPL0813T-471K	470	1.39		0.25	
LPL0813T-102K	1000			3.19	0.25

▼ Test Equipments

- . L : Agilent E4980A Precision LCR Meter
- . Rdc : HIOKI 3540 mΩ HiTESTER
- . Idc : Agilent 4284A LCR Meter + Agilent 42841A Bias Current Source

▼ Test Condition

- . Idc(The saturation current) : $\Delta L \leq 10\%$ typical at rated current
- ※ Rated DC current : Idc

▼ Operating Temperature Range

-20 ~ +85°C (Including self-generated heat)