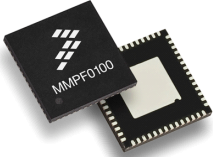


14 Channel Configurable Power Management Integrated Circuit

The PF0100 Power Management Integrated Circuit (PMIC) provides a highly programmable/ configurable architecture, with fully integrated power devices and minimal external components. With up to six buck converters, six linear regulators, RTC supply, and coin-cell charger, the PF0100 can provide power for a complete system, including applications processors, memory, and system peripherals, in a wide range of applications. With on-chip One Time Programmable (OTP) memory, the PF0100 is available in pre-programmed standard versions, or non-programmed to support custom programming. The PF0100 is especially suited to the i.MX6 family of devices and is supported by full system level reference designs, and pre-programmed versions of the device.

Features:

- Four to six buck converters, depending on configuration
 - Single/ Dual phase/ parallel options
 - DDR termination tracking mode option
- Boost regulator to 5.0 V out
- Six general purpose linear regulators
- Programmable output voltage, sequence, and timing
- OTP (One Time Programmable) memory for device configuration
- Coin cell charger and RTC supply
- DDR termination reference voltage
- Power control logic with processor interface and event detection
- I²C control
- Individually programmable ON, OFF, and Standby modes

<h2 style="margin: 0;">PF0100</h2> <h3 style="margin: 0;">Consumer and Industrial</h3>
<h3 style="margin: 0;">POWER MANAGEMENT</h3>
 <p style="margin: 5px 0;">EP SUFFIX (E-TYPE) 56 QFN 8X8 98ASA00405D</p>
<h3 style="margin: 0;">Applications</h3> <ul style="list-style-type: none"> • Tablets • IPTV • Industrial control • Medical monitoring • Home automation/ alarm/ energy management

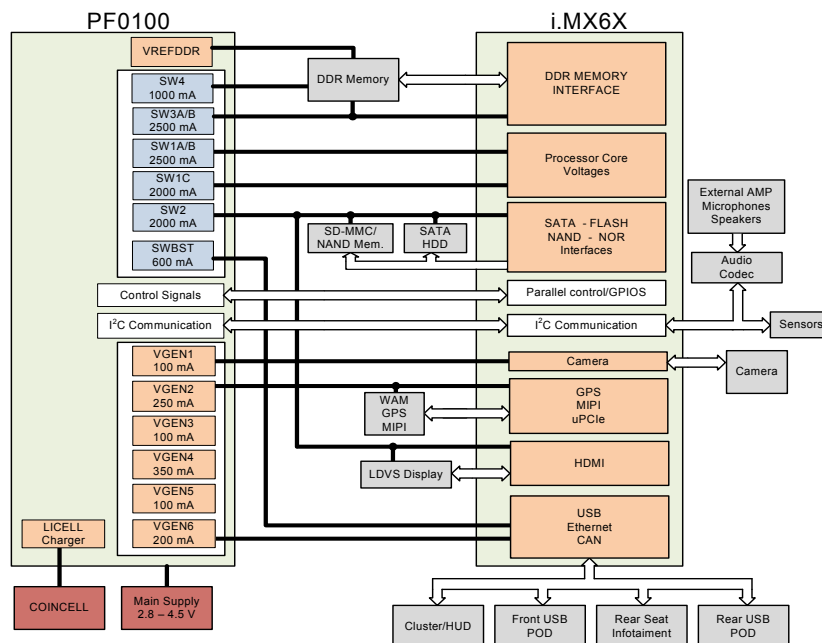


Figure 1. Simplified Application Diagram

* This document contains certain information on a new product. Specifications and information herein are subject to change without notice.

Table of Contents

1	Orderable Parts	4
2	Part Identification	5
2.1	Description	5
2.2	Format and Fields Description	5
3	Internal Block Diagram	6
4	Pin Connections	7
4.1	Pinout Diagram	7
4.2	Pin Definitions	8
5	General Product Characteristics	11
5.1	Absolute Maximum Ratings	11
5.2	Thermal Characteristics	12
5.2.1	Power Dissipation	12
5.3	Electrical Characteristics	13
5.3.1	General Specifications	13
5.3.2	Current Consumption	14
6	General Description	15
6.1	Features	15
6.2	Functional Block Diagram	16
6.3	Functional Description	16
6.3.1	Power Generation	16
6.3.2	Control Logic	16
7	Functional Block Requirements and Behaviors	18
7.1	Start-up	18
7.1.1	Device Start-up Configuration	18
7.1.2	One Time Programmability (OTP)	21
7.1.3	OTP Prototyping	23
7.1.4	Reading OTP Fuses	23
7.1.5	Programming OTP Fuses	23
7.2	16 MHz and 32 kHz Clocks	24
7.3	Bias and References Block Description	24
7.3.1	Internal Core Voltage References	24
7.3.2	VREFDDR Voltage Reference	25
7.4	Power Generation	28
7.4.1	Modes of Operation	28
7.4.2	State Machine Flow Summary	31
7.4.3	Power Tree	32
7.4.4	Buck Regulators	35
7.4.5	Boost Regulator	79
7.4.6	LDO Regulators Description	82
7.4.7	VSNVS LDO/Switch	99
7.5	Control Interface I2C Block Description	104
7.5.1	I2C Device ID	104
7.5.2	I2C Operation	104
7.5.3	Interrupt Handling	105
7.5.4	Interrupt Bit Summary	105
7.5.5	Specific Registers	110
7.5.6	Register Bitmap	112
8	Typical Applications	123
8.1	Introduction	123
8.1.1	Application Diagram	123
8.1.2	Bill of Material	124

8.2	PF0100 Layout Guidelines	126
8.2.1	General Board Recommendations	126
8.2.2	Component Placement	126
8.2.3	General Routing Requirements	127
8.2.4	Parallel Routing Requirements	127
8.2.5	Switching Regulator Layout Recommendations	128
8.3	Thermal Information	129
8.3.1	Rating Data	129
8.3.2	Estimation of Junction Temperature	129
9	Packaging	130
9.1	Packaging Dimensions	130
10	Reference Section	134
10.1	Reference Documents	134
11	Revision History	135
11.1	Document Changes	135

1 Orderable Parts

The PF0100 is available with both pre-programmed and non-programmed OTP memory configurations. The non-programmed device uses "NP" as the programming code. The pre-programmed devices are identified using the program codes from [Table 1](#), which also list the associated Freescale reference designs where applicable. Details of the OTP programming for each device can be found in [Table 9](#).

Table 1. Orderable Part Variations

Part Number	Temperature (T _A)	Package	Programming	Reference Designs	Notes
MMPF0100NPEP	-40 to 85 °C	56 QFN 8x8 mm - 0.5 mm pitch E-Type QFN (full lead)	NP	N/A	(2)(1)
MMPF0100F0EP			F0	MCIMX6Q-SDP MCIMX6Q-SDB MCIMX6DL-SDP	(2)(1)
MMPF0100F1EP			F1	MCIMX6SLEVK	(2)(1)
MMPF0100F2EP			F2	N/A	(2)(1)

Notes

1. For Tape and Reel add an R2 suffix to the part number.
2. For programming details see [Table 9](#).

2 Part Identification

This section provides an explanation of the part numbers and their alphanumeric breakdown.

2.1 Description

Part numbers for the chips have fields that identify the specific part configuration. You can use the values of these fields to determine the specific part you have received.

2.2 Format and Fields Description

The part number is structured in the following format:

MM-ff-xxxx-yy-r-v-PP-RR

[Table 2](#) shows the meaning and possible values for each field contained in the part number (not all combinations are valid).

Table 2. Part Number Structure Definition

Field	Definition	Possible values
MM	Product Category	PM = Prototype device MM = Qualified standard device SM = Custom device
ff	Family	PF = PF Series
xxxx	Product number	0100
yy	Program configuration	See Table 9
r	Revision	Blank for initial revision
v	Variation	Blank for consumer and industrial
PP	Package designator	EP = E-type QFN exposed pad
RR	Tape & reel indicator	R2 = 13 inch reel hub

3 Internal Block Diagram

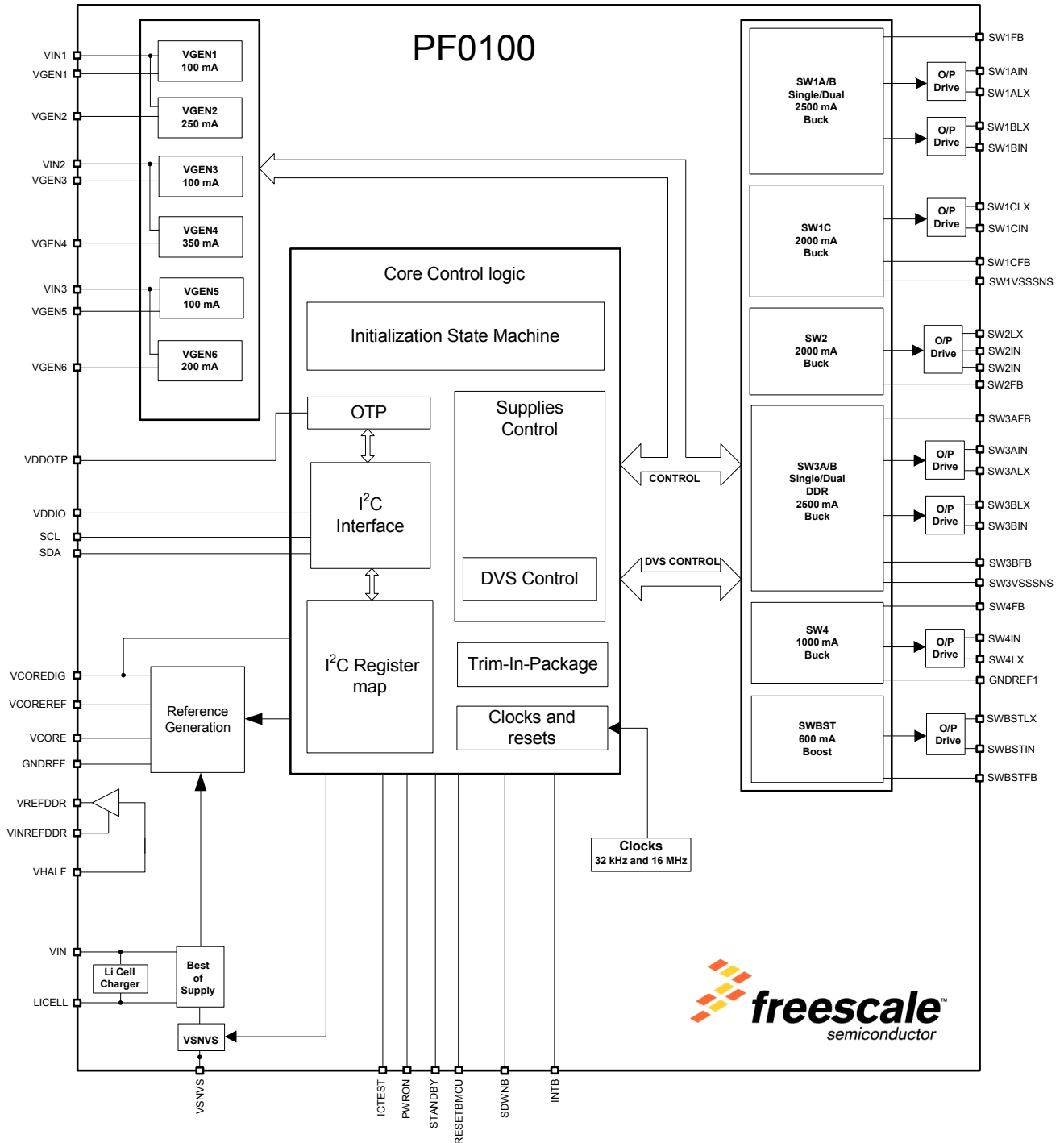


Figure 2. Simplified Internal Block Diagram

4 Pin Connections

4.1 Pinout Diagram

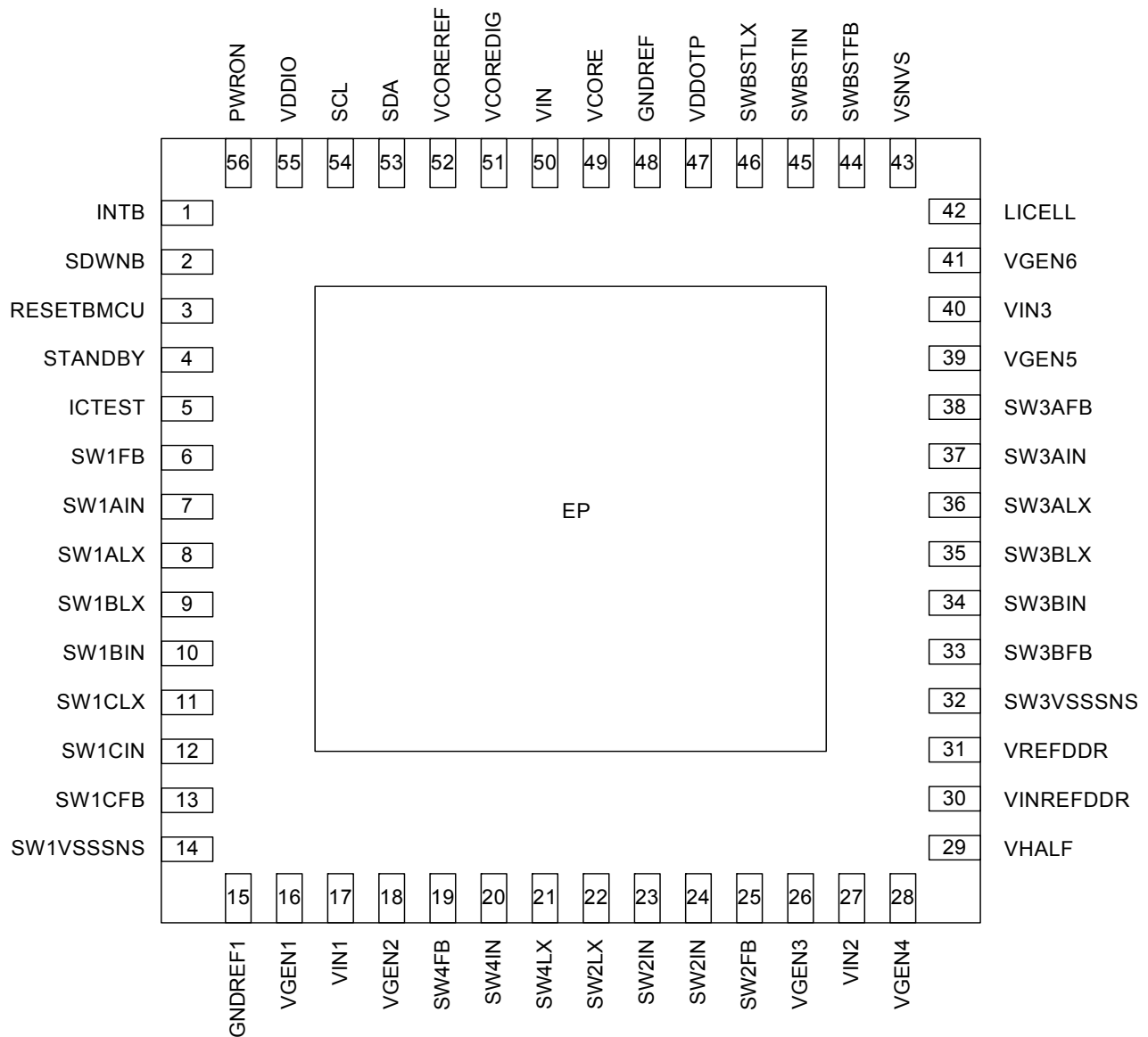


Figure 3. Pinout Diagram

4.2 Pin Definitions

Table 3. PF0100 Pin Definitions

Pin Number	Pin Name	Pin Function	Max Rating	Type	Definition
1	INTB	O	3.6 V	Digital	Open drain interrupt signal to processor
2	SDWNB	O	3.6 V	Digital	Open drain signal to indicate an imminent system shutdown
3	RESETBMCU	O	3.6 V	Digital	Open drain reset output to processor. Alternatively can be used as a Power Good output.
4	STANDBY	I	3.6 V	Digital	Standby input signal from processor
5	ICTEST	I	7.5 V	Digital/ Analog	Reserved pin. Connect to GND in application.
6	SW1FB	I	3.6 V	Analog	Output voltage feedback for SW1A/B. Route this trace separately from the high current path and terminate at the output capacitance.
7	SW1AIN	I	4.8 V	Analog	Input to SW1A regulator. Bypass with at least a 4.7 μ F ceramic capacitor and a 0.1 μ F decoupling capacitor as close to the pin as possible.
8	SW1ALX	O	4.8 V	Analog	Regulator 1A switch node connection
9	SW1BLX	O	4.8 V	Analog	Regulator 1B switch node connection
10	SW1BIN	I	4.8 V	Analog	Input to SW1B regulator. Bypass with at least a 4.7 μ F ceramic capacitor and a 0.1 μ F decoupling capacitor as close to the pin as possible.
11	SW1CLX	O	4.8 V	Analog	Regulator 1C switch node connection
12	SW1CIN	I	4.8 V	Analog	Input to SW1C regulator. Bypass with at least a 4.7 μ F ceramic capacitor and a 0.1 μ F decoupling capacitor as close to the pin as possible.
13	SW1CFB	I	3.6V	Analog	Output voltage feedback for SW1C. Route this trace separately from the high current path and terminate at the output capacitance.
14	SW1VSSNS	GND	-	GND	Ground reference for regulators SW1ABC. It is connected externally to GNDREF through a board ground plane.
15	GNDREF1	GND	-	GND	Ground reference for regulators SW2 and SW4. It is connected externally to GNDREF, via board ground plane.
16	VGEN1	O	2.5 V	Analog	VGEN1 regulator output, Bypass with a 2.2 μ F ceramic output capacitor.
17	VIN1	I	3.6 V	Analog	VGEN1, 2 input supply. Bypass with a 1.0 μ F decoupling capacitor as close to the pin as possible.
18	VGEN2	O	2.5 V	Analog	VGEN2 regulator output, Bypass with a 4.7 μ F ceramic output capacitor.
19	SW4FB	I	3.6 V	Analog	Output voltage feedback for SW4. Route this trace separately from the high current path and terminate at the output capacitance.
20	SW4IN	I	4.8 V	Analog	Input to SW4 regulator. Bypass with at least a 4.7 μ F ceramic capacitor and a 0.1 μ F decoupling capacitor as close to the pin as possible.
21	SW4LX	O	4.8 V	Analog	Regulator 4 switch node connection
22	SW2LX	O	4.8 V	Analog	Regulator 2 switch node connection

Table 3. PF0100 Pin Definitions (continued)

Pin Number	Pin Name	Pin Function	Max Rating	Type	Definition
23	SW2IN	I	4.8 V	Analog	Input to SW2 regulator. Connect pin 23 together with pin 24 and bypass with at least a 4.7 μ F ceramic capacitor and a 0.1 μ F decoupling capacitor as close to these pins as possible.
24	SW2IN	I	4.8 V	Analog	
25	SW2FB	I	3.6 V	Analog	Output voltage feedback for SW2. Route this trace separately from the high current path and terminate at the output capacitance.
26	VGEN3	O	3.6 V	Analog	VGEN3 regulator output. Bypass with a 2.2 μ F ceramic output capacitor.
27	VIN2	I	3.6 V	Analog	VGEN3,4 input. Bypass with a 1.0 μ F decoupling capacitor as close to the pin as possible.
28	VGEN4	O	3.6 V	Analog	VGEN4 regulator output, Bypass with a 4.7 μ F ceramic output capacitor.
29	VHALF	I	3.6 V	Analog	Half supply reference for VREFDDR
30	VINREFDDR	I	3.6 V	Analog	VREFDDR regulator input. Bypass with at least 1.0 μ F decoupling capacitor as close to the pin as possible.
31	VREFDDR	O	3.6 V	Analog	VREFDDR regulator output
32	SW3VSSNS	GND	-	GND	Ground reference for the SW3 regulator. Connect to GNDREF externally via the board ground plane.
33	SW3BFB	I	3.6 V	Analog	Output voltage feedback for SW3B. Route this trace separately from the high current path and terminate at the output capacitance.
34	SW3BIN	I	4.8 V	Analog	Input to SW3B regulator. Bypass with at least a 4.7 μ F ceramic capacitor and a 0.1 μ F decoupling capacitor as close to the pin as possible.
35	SW3BLX	O	4.8 V	Analog	Regulator 3B switch node connection
36	SW3ALX	O	4.8 V	Analog	Regulator 3A switch node connection
37	SW3AIN	I	4.8 V	Analog	Input to SW3A regulator. Bypass with at least a 4.7 μ F ceramic capacitor and a 0.1 μ F decoupling capacitor as close to the pin as possible.
38	SW3AFB	I	3.6 V	Analog	Output voltage feedback for SW3A. Route this trace separately from the high current path and terminate at the output capacitance.
39	VGEN5	O	3.6 V	Analog	VGEN5 regulator output. Bypass with a 2.2 μ F ceramic output capacitor.
40	VIN3	I	4.8 V	Analog	VGEN5, 6 input. Bypass with a 1.0 μ F decoupling capacitor as close to the pin as possible.
41	VGEN6	O	3.6 V	Analog	VGEN6 regulator output. By pass with a 2.2 μ F ceramic output capacitor.
42	LICELL	I/O	3.6 V	Analog	Coin cell supply input/output
43	VSNVS	O	3.6 V	Analog	LDO or coin cell output to processor
44	SWBSTFB	I	4.8 V	Analog	Boost regulator feedback. Connect this pin to the output rail close to the load. Keep this trace away from other noisy traces and planes.
45	SWBSTIN	I	4.8 V	Analog	Input to SWBST regulator. Bypass with at least a 2.2 μ F ceramic capacitor and a 0.1 μ F decoupling capacitor as close to the pin as possible.

Table 3. PF0100 Pin Definitions (continued)

Pin Number	Pin Name	Pin Function	Max Rating	Type	Definition
46	SWBSTLX	O	7.5 V	Analog	SWBST switch node connection
47	VDDOTP	I	9.0 V ⁽³⁾	Digital & Analog	Supply to program OTP fuses
48	GNDREF	GND	-	GND	Ground reference for the main band gap regulator.
49	VCORE	O	3.6 V	Analog	Analog Core supply
50	VIN	I	4.8 V	Analog	Main chip supply
51	VCOREDIG	O	1.5 V	Analog	Digital Core supply
52	VCOREREF	O	1.5 V	Analog	Main band gap reference
53	SDA	I/O	3.6 V	Digital	I ² C data line (Open drain)
54	SCL	I	3.6 V	Digital	I ² C clock
55	VDDIO	I	3.6 V	Analog	Supply for I ² C bus
56	PWRON	I	3.6 V	Digital	Power On/off from processor
-	EP	GND	-	GND	Expose pad. Functions as ground return for buck regulators. Tie this pad to the inner and external ground planes through vias to allow effective thermal dissipation.

Notes

3. 9.0 V Maximum voltage rating during OTP fuse programming. 7.5 V Maximum DC voltage rated otherwise.

5 General Product Characteristics

5.1 Absolute Maximum Ratings

Table 4. Absolute Maximum Ratings

All voltages are with respect to ground, unless otherwise noted. Exceeding these ratings may cause malfunction or permanent damage to the device. The detailed maximum voltage rating per pin can be found in the pin list section.

Symbol	Description	Value	Unit
ELECTRICAL RATINGS			
V_{IN}	Main input supply voltage	-0.3 to 4.8	V
V_{DDOTP}	OTP programming input supply voltage	-0.3 to 9.0	V
V_{LICELL}	Coin cell voltage	-0.3 to 3.6	V
V_{ESD}	ESD Ratings Human Body Model ⁽⁴⁾ Charge Device Model ⁽⁴⁾	±2000 ±500	V

Notes

- ESD testing is performed in accordance with the Human Body Model (HBM) (CZAP = 100 pF, RZAP = 1500 Ω), and the Charge Device Model (CDM), Robotic (CZAP = 4.0 pF).

5.2 Thermal Characteristics

Table 5. Thermal Ratings

Symbol	Description (Rating)	Min.	Max.	Unit
THERMAL RATINGS				
T_A	Ambient Operating Temperature Range	-40	85	°C
T_J	Operating Junction Temperature Range ⁽⁵⁾	-40	125	°C
T_{ST}	Storage Temperature Range	-65	150	°C
T_{PPRT}	Peak Package Reflow Temperature ⁽⁶⁾⁽⁷⁾	–	Note 7	°C

QFN56 THERMAL RESISTANCE AND PACKAGE DISSIPATION RATINGS

$R_{\theta JA}$	Junction to Ambient ⁽⁸⁾⁽⁹⁾⁽¹⁰⁾ Natural Convection Four layer board (2s2p) Eight layer board (2s6p)	– –	28 15	°C/W
$R_{\theta JMA}$	Junction to Ambient (@200 ft/min) ⁽⁸⁾⁽¹⁰⁾ Four layer board (2s2p)	–	22	°C/W
$R_{\theta JB}$	Junction to Board ⁽¹¹⁾	–	10	°C/W
$R_{\theta JCBOTTOM}$	Junction to Case Bottom ⁽¹²⁾	–	1.2	°C/W
Ψ_{JT}	Junction to Package Top ⁽¹³⁾ Natural Convection	–	2.0	°C/W

Notes

- Do not operate beyond 125 °C for extended periods of time. See [Table 6](#) for thermal protection features.
- Pin soldering temperature limit is for 10 seconds maximum duration. Not designed for immersion soldering. Exceeding these limits may cause a malfunction or permanent damage to the device.
- Freescale's Package Reflow capability meets Pb-free requirements for JEDEC standard J-STD-020C. For Peak Package Reflow Temperature and Moisture Sensitivity Levels (MSL), Go to www.freescale.com, search by part number [e.g. remove prefixes/suffixes and enter the core ID to view all orderable parts (i.e. MC33xxx enter 33xxx)], and review parametrics.
- Junction temperature is a function of die size, on-chip power dissipation, package thermal resistance, mounting site (board) temperature, ambient temperature, air flow, power dissipation of other components on the board, and board thermal resistance.
- The Board uses the JEDEC specifications for thermal testing (and simulation) JESD51-7 and JESD51-5.
- Per JEDEC JESD51-6 with the board horizontal.
- Thermal resistance between the die and the printed circuit board per JEDEC JESD51-8. Board temperature is measured on the top surface of the board near the package.
- Thermal resistance between the die and the case top surface as measured by the cold plate method (MIL SPEC-883 Method 1012.1).
- Thermal characterization parameter indicating the temperature difference between package top and the junction temperature per JEDEC JESD51-2. When Greek letters are not available, the thermal characterization parameter is written as Psi-JT.

5.2.1 Power Dissipation

During operation, the temperature of the die should not exceed the operating junction temperature noted in [Table 5](#). To optimize the thermal management and to avoid overheating, the PF0100 provides thermal protection. An internal comparator monitors the die temperature. Interrupts THERM110I, THERM120I, THERM125I, and THERM130I will be generated when the respective thresholds specified in [Table 6](#) are crossed in either direction. The temperature range can be determined by reading the THERMxxxS bits in register INTSENSE0.

In the event of excessive power dissipation, thermal protection circuitry will shut down the PF0100. This thermal protection will act above the thermal protection threshold listed in [Table 6](#). To avoid any unwanted power downs resulting from internal noise, the protection is debounced for 8.0 ms. This protection should be considered as a fail-safe mechanism and therefore the system should be configured such that this protection is not tripped under normal conditions.

Table 6. Thermal Protection Thresholds

Parameter	Min	Typ	Max	Units
Thermal 110 °C Threshold (THERM110)	100	110	120	°C
Thermal 120 °C Threshold (THERM120)	110	120	130	°C
Thermal 125 °C Threshold (THERM125)	115	125	135	°C
Thermal 130 °C Threshold (THERM130)	120	130	140	°C
Thermal Warning Hysteresis	2.0	–	4.0	°C
Thermal Protection Threshold	130	140	150	°C

5.3 Electrical Characteristics

5.3.1 General Specifications

Table 7. General PMIC Static Characteristics.

$T_A = -40$ to 85 °C, $V_{IN} = 2.8$ to 4.5 V, $V_{DDIO} = 1.7$ to 3.6 V, typical external component values and full load current range, unless otherwise noted.

Pin Name	Parameter	Load Condition	Min	Max	Unit
PWRON	V_{IL}	–	0.0	$0.2 * V_{SNVS}$	V
	V_{IH}	–	$0.8 * V_{SNVS}$	3.6	V
RESETBMCU	V_{OL}	-2.0 mA	0.0	0.4	V
	V_{OH}	Open Drain	$0.7 * V_{IN}$	V_{IN}	V
SCL	V_{IL}	–	0.0	$0.2 * V_{DDIO}$	V
	V_{IH}	–	$0.8 * V_{DDIO}$	3.6	V
SDA	V_{IL}	–	0.0	$0.2 * V_{DDIO}$	V
	V_{IH}	–	$0.8 * V_{DDIO}$	3.6	V
	V_{OL}	-2.0 mA	0.0	0.4	V
	V_{OH}	Open Drain	$0.7 * V_{DDIO}$	V_{DDIO}	V
INTB	V_{OL}	-2.0 mA	0.0	0.4	V
	V_{OH}	Open Drain	$0.7 * V_{IN}$	V_{IN}	V
SDWNB	V_{OL}	-2.0 mA	0.0	0.4	V
	V_{OH}	Open Drain	$0.7 * V_{IN}$	V_{IN}	V
STANDBY	V_{IL}	–	0.0	$0.2 * V_{SNVS}$	V
	V_{IH}	–	$0.8 * V_{SNVS}$	3.6	V
VDDOTP	V_{IL}	–	0.0	0.3	V
	V_{IH}	–	1.1	1.7	V

5.3.2 Current Consumption

The current consumption of the individual blocks is described in detail throughout this specification. For convenience, a summary table follows for standard use cases.

Table 8. Current Consumption Summary

$T_A = -40$ to 85 °C, $V_{IN} = 3.6$ V, $V_{DDIO} = 1.7$ to 3.6 V, $LICELL = 1.8$ to 3.3 V, $V_{SNVS} = 3.0$ V, typical external component values, unless otherwise noted. Typical values are characterized at $V_{IN} = 3.6$ V, $V_{DDIO} = 3.3$ V, $LICELL = 3.0$ V, $V_{SNVS} = 3.0$ V and 25 °C, unless otherwise noted.

Mode	PF0100 Conditions	System Conditions	Typical	MAX	Unit
Coin Cell ⁽¹⁴⁾	VSNVS from LICELL All other blocks off $V_{IN} = 0.0$ V $V_{SNVSVOLT}[2:0] = 110$	No load on VSNVS	5.0	7.0	μ A
Off ⁽¹⁴⁾⁽¹⁵⁾	VSNVS from V_{IN} or LICELL Wake-up from PWRON active 32 k RC on All other blocks off $V_{IN} \geq UVDET$	No load on VSNVS, PMIC able to wake-up	16	21	μ A
Sleep	VSNVS from V_{IN} Wake-up from PWRON active Trimmed reference active SW3A/B PFM Trimmed 16 MHz RC off 32 k RC on VREFDDR disabled	No load on VSNVS. DDR memories in self refresh	122	220	μ A
Standby	VSNVS from either V_{IN} or LICELL SW1A/B combined in PFM SW1C in PFM SW2 in PFM SW3A/B combined in PFM SW4 in PFM SWBST off Trimmed 16 MHz RC enabled Trimmed reference active VGEN1-6 enabled VREFDDR enabled	No load on VSNVS. Processor enabled in low power mode. All rails powered on except boost (load = 0 mA)	297	420	μ A

Notes

14. At 25 °C only.
15. When V_{IN} is below the UVDET threshold, in the range of 1.8 V $\leq V_{IN} < 2.65$ V, the quiescent current increases by 50 μ A, typically.

6 General Description

The PF0100 is the Power Management Integrated Circuit (PMIC) designed primarily for use with Freescale's i.MX6 series of application processors.

6.1 Features

This section summarizes the PF0100 features.

- Input voltage range to PMIC: 2.8 - 4.5 V
- Buck regulators
 - Four to six channel configurable
 - SW1A/B/C, 4.5 A (single); 0.3 to 1.875 V
 - SW1A/B, 2.5 A (single/dual); SW1C 2.0 A (independent); 0.3 to 1.875 V
 - SW2, 2.0 A; 0.4 to 3.3 V
 - SW3A/B, 2.5 A (single/dual); 0.4 to 3.3 V
 - SW3A, 1.25 A (independent); SW3B, 1.25 A (independent); 0.4 to 3.3 V
 - SW4, 1.0 A; 0.4 to 3.3 V
 - SW4, VTT mode provide DDR termination at 50% of SW3A
 - Dynamic voltage scaling
 - Modes: PWM, PFM, APS
 - Programmable output voltage
 - Programmable current limit
 - Programmable soft start
 - Programmable PWM switching frequency
 - Programmable OCP with fault interrupt
- Boost regulator
 - SWBST, 5.0 to 5.15 V, 0.6 A, OTG support
 - Modes: PFM and Auto
 - OCP fault interrupt
- LDOs
 - Six user programable LDO
 - VGEN1, 0.80 to 1.55 V, 100 mA
 - VGEN2, 0.80 to 1.55 V, 250 mA
 - VGEN3, 1.8 to 3.3 V, 100 mA
 - VGEN4, 1.8 to 3.3 V, 350 mA
 - VGEN5, 1.8 to 3.3 V, 100 mA
 - VGEN6, 1.8 to 3.3 V, 200 mA
 - Soft start
 - LDO/Switch supply
 - VSNVS (1.0/1.1/1.2/1.3/1.5/1.8/3.0 V), 400 μ A
- DDR memory reference voltage
 - VREFDDR, 0.6 to 0.9 V, 10 mA
- 16 MHz internal master clock
- OTP(One time programmable) memory for device configuration
 - User programmable start-up sequence and timing
- Battery backed memory including coin cell charger
- I²C interface
- User programmable Standby, Sleep, and Off modes

6.2 Functional Block Diagram

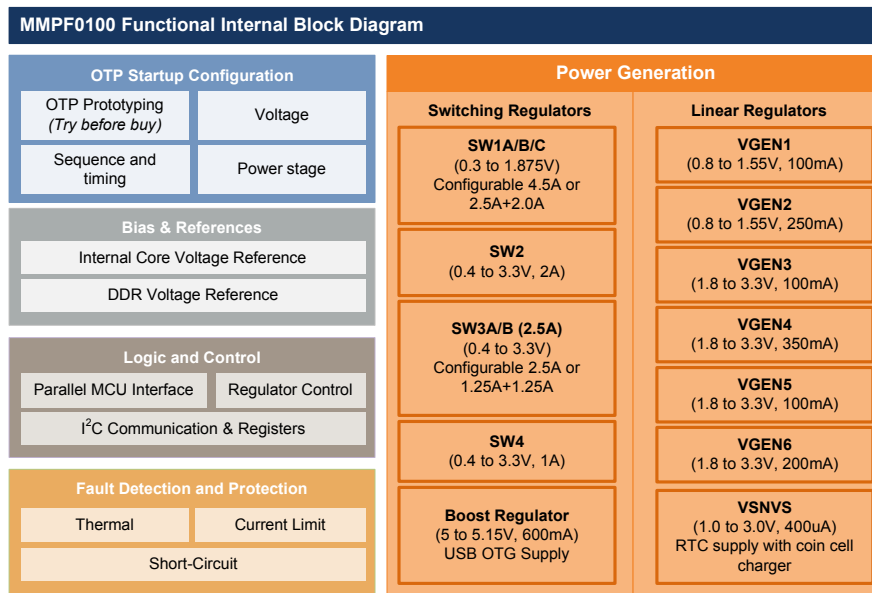


Figure 4. Functional Block Diagram

6.3 Functional Description

6.3.1 Power Generation

The PF0100 PMIC features four buck regulators (up to six independent outputs), one boost regulator, six general purpose LDOs, one switch/LDO combination and a DDR voltage reference to supply voltages for the application processor and peripheral devices.

The number of independent buck regulator outputs can be configured from four to six, thereby providing flexibility to operate with higher current capability, or to operate as independent outputs for applications requiring more voltage rails with lower current demands. Further, SW1 and SW3 regulators can be configured as single/dual phase and/or independent converters. One of the buck regulators, SW4, can also operate as a tracking regulator when used for memory termination. The buck regulators provide the supply to processor cores and to other low voltage circuits such as IO and memory. Dynamic voltage scaling is provided to allow controlled supply rail adjustments for the processor cores and/or other circuitry.

Depending on the system power path configuration, the six general purpose LDO regulators can be directly supplied from the main input supply or from the switching regulators to power peripherals, such as audio, camera, Bluetooth, Wireless LAN, etc. A specific VREFDDR voltage reference is included to provide accurate reference voltage for DDR memories operating with or without VTT termination. The VSNVS block behaves as an LDO, or as a bypass switch to supply the SNVS/SRTC circuitry on the i.MX processors; VSNVS may be powered from VIN, or from a coin cell.

6.3.2 Control Logic

The PF0100 PMIC is fully programmable via the I²C interface. Additional communication is provided by direct logic interfacing including interrupt and reset. Start-up sequence of the device is selected upon the initial OTP configuration explained in the [Start-up](#) section, or by configuring the “Try Before Buy” feature to test different power up sequences before choosing the final OTP configuration.

The PF0100 PMIC has the interfaces for the power buttons and dedicated signaling interfacing with the processor. It also ensures supply of critical internal logic and other circuits from the coin cell in case of brief interruptions from the main battery. A charger for the coin cell is included as well.

6.3.2.1 Interface Signals

PWRON

PWRON is an input signal to the IC that generates a turn-on event. It can be configured to detect a level, or an edge using the PWRON_CFG bit. Refer to section [Turn On Events](#) for more details.

STANDBY

STANDBY is an input signal to the IC. When it is asserted the part enters standby mode and when de-asserted, the part exits standby mode. STANDBY can be configured as active high or active low using the STANDBYINV bit. Refer to the section [Standby Mode](#) for more details.

Note: When operating the PMIC at $V_{IN} \leq 2.85$ V and VSNVS is programmed for a 3.0 V output, a coin cell must be present to provide VSNVS, or the PMIC will not reliably enter and exit the STANDBY mode.

RESETBMCU

RESETBMCU is an open-drain, active low output configurable for two modes of operation. In its default mode, it is de-asserted 2.0 to 4.0 ms after the last regulator in the start-up sequence is enabled; refer to [Figure 5](#) as an example. In this mode, the signal can be used to bring the processor out of reset, or as an indicator that all supplies have been enabled; it is only asserted for a turn-off event.

When configured for its fault mode, RESETBMCU is de-asserted after the start-up sequence is completed only if no faults occurred during start-up. At anytime, if a fault occurs and persists for 1.8 ms typically, RESETBMCU is asserted, LOW. The PF0100 is turned off if the fault persists for more than 100 ms typically. The PWRON signal restarts the part, though if the fault persists, the sequence described above will be repeated. To enter the fault mode, set bit OTP_PG_EN of register OTP PWRGD EN to "1". This register, 0xE8, is located on [Extended Page 1](#) of the register map. To test the fault mode, the bit may be set during TBB prototyping, or the mode may be permanently chosen by programming OTP fuses.

SDWNB

SDWNB is an open-drain, active low output that notifies the processor of an imminent PMIC shut down. It is asserted low for one 32 kHz clock cycle before powering down and is then de-asserted in the OFF state.

INTB

INTB is an open-drain, active low output. It is asserted when any fault occurs, provided that the fault interrupt is unmasked. INTB is de-asserted after the fault interrupt is cleared by software, which requires writing a "1" to the fault interrupt bit.

7 Functional Block Requirements and Behaviors

7.1 Start-up

The PF0100 can be configured to start-up from either the internal OTP configuration, or with a hard-coded configuration built in to the device. The internal hard-coded configuration is enabled by connecting the VDDOTP pin to VCOREDIG through a 100kohm resistor. The OTP configuration is enabled by connecting VCOREDIG to GND.

For NP devices, selecting the OTP configuration causes the PF0100 to not start-up. However, the PF0100 can be controlled through the I2C port for prototyping and programming. Once programmed, the NP device will startup with the customer programmed configuration.

7.1.1 Device Start-up Configuration

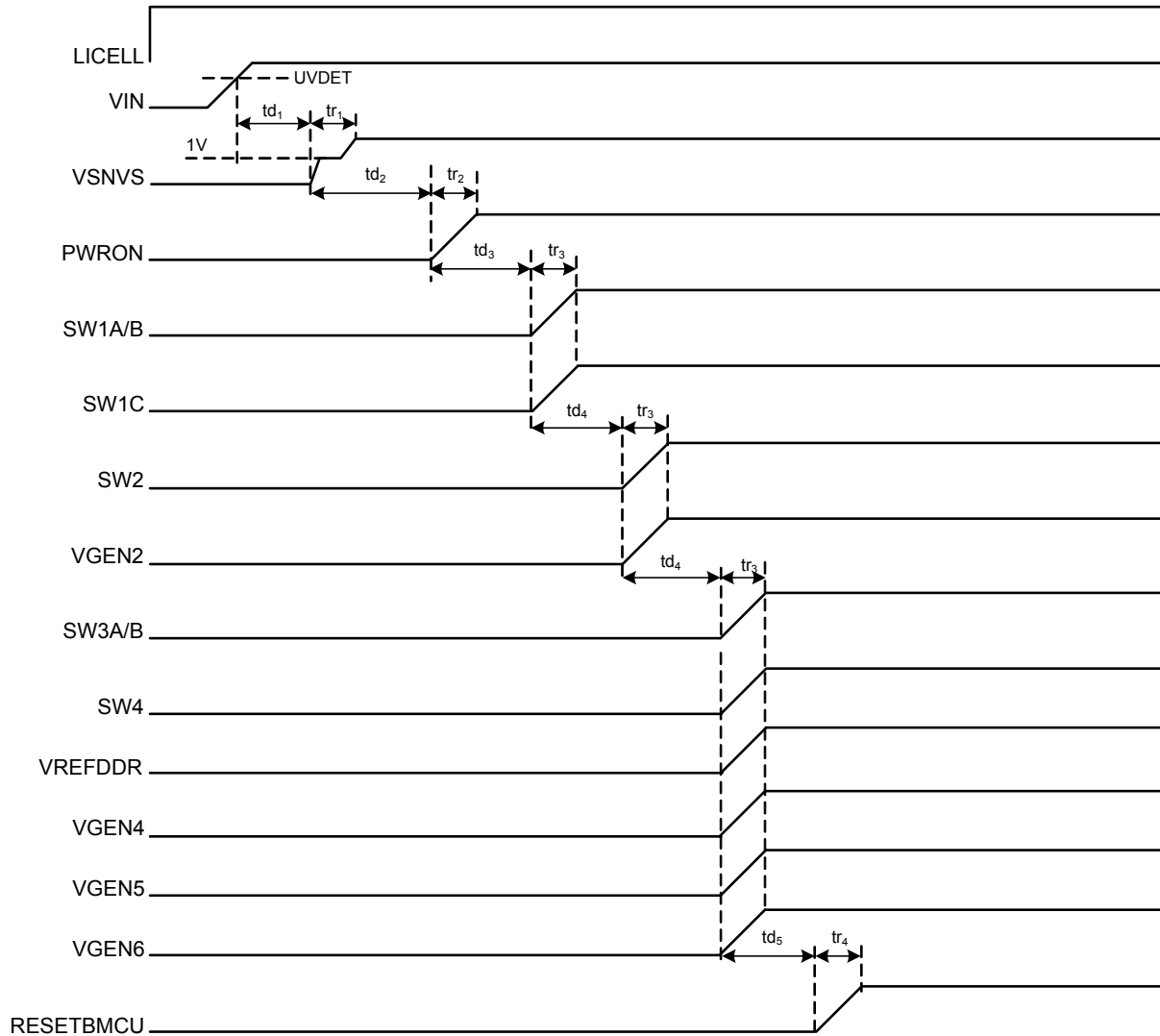
[Table 9](#) shows the Default Configuration which can be accessed on all devices as described above, as well as the pre-programmed OTP configurations.

Table 9. Start-up Configuration

Registers	Default Configuration	Pre-programmed OTP Configuration		
	All Devices	F0	F1	F2
Default I ² C Address	0x08	0x08	0x08	0x08
VSNVS_VOLT	3.0 V	3.0 V	3.0 V	3.0 V
SW1AB_VOLT	1.375 V	1.375 V	1.375 V	1.375 V
SW1AB_SEQ	1	1	1	1
SW1C_VOLT	1.375 V	1.375 V	1.375 V	1.375 V
SW1C_SEQ	1	2	1	1
SW2_VOLT	3.0 V	3.3 V	3.15 V	3.15 V
SW2_SEQ	2	5	2	2
SW3A_VOLT	1.5 V	1.5 V	1.2 V	1.5 V
SW3A_SEQ	3	3	4	4
SW3B_VOLT	1.5 V	1.5 V	1.2 V	1.5 V
SW3B_SEQ	3	3	4	4
SW4_VOLT	1.8 V	3.15 V	1.8 V	1.8 V
SW4_SEQ	3	6	3	3
SWBST_VOLT	-	5.0 V	5.0 V	5.0 V
SWBST_SEQ	-	13	6	6
VREFDDR_VOLT	0.75 V	0.75 V	0.6 V	0.75 V
VREFDDR_SEQ	3	3	4	4
VGEN1_VOLT	-	1.5 V	1.2 V	1.2 V
VGEN1_SEQ	-	9	4	4
VGEN2_VOLT	1.5 V	1.5 V	-	-
VGEN2_SEQ	2	10	-	-
VGEN3_VOLT	-	2.5 V	-	-
VGEN3_SEQ	-	11	-	-

Table 9. Start-up Configuration

Registers	Default Configuration	Pre-programmed OTP Configuration		
	All Devices	F0	F1	F2
VGEN4_VOLT	1.8 V	1.8 V	1.8 V	1.8 V
VGEN4_SEQ	3	7	3	3
VGEN5_VOLT	2.5 V	2.8 V	2.5 V	2.5 V
VGEN5_SEQ	3	12	5	5
VGEN6_VOLT	2.8 V	3.3 V	-	-
VGEN6_SEQ	3	8	-	-
PU CONFIG, SEQ_CLK_SPEED	1.0 ms	2.0 ms	1.0 ms	1.0 ms
PU CONFIG, SWDVS_CLK	6.25 mV/ μ s	1.5625 mV/ μ s	12.5 mV/ μ s	12.5 mV/ μ s
PU CONFIG, PWRON	Level sensitive			
SW1AB CONFIG	SW1AB Single Phase, SW1C Independent Mode, 2.0 MHz			
SW1C CONFIG	2.0 MHz			
SW2 CONFIG	2.0 MHz			
SW3A CONFIG	SW3AB Single Phase, 2.0 MHz			
SW3B CONFIG	2.0 MHz			
SW4 CONFIG	No VTT, 2.0 MHz			
PG EN	RESETBMCU in Default Mode			



*VSNVS will start from 1.0 V if LICELL is valid before VIN.

Figure 5. Default Start-up Sequence

Table 10. Default Start-up Sequence Timing

Parameter	Description	Min	Typ	Max	Unit
t_{D1}	Turn-on delay of VSNVS ⁽¹⁶⁾	–	15	–	ms
t_{R1}	Rise time of VSNVS	–	3.0	–	ms
t_{D2}	User determined delay	–	1.0	–	ms
t_{R2}	Rise time of PWRON	–	⁽¹⁷⁾	–	ms
t_{D3}	Turn-on delay of first regulator				
	SEQ_CLK_SPEED[1:0] = 00	–	2.0	–	ms
	SEQ_CLK_SPEED[1:0] = 01 ⁽¹⁸⁾	–	2.5	–	
	SEQ_CLK_SPEED[1:0] = 10	–	4.0	–	
SEQ_CLK_SPEED[1:0] = 11	–	7.0	–		

Table 10. Default Start-up Sequence Timing

Parameter	Description	Min	Typ	Max	Unit
t_{R3}	Rise time of regulators ⁽¹⁹⁾	–	0.2	–	ms
t_{D4}	Delay between regulators				
	SEQ_CLK_SPEED[1:0] = 00	–	0.5	–	ms
	SEQ_CLK_SPEED[1:0] = 01	–	1.0	–	
	SEQ_CLK_SPEED[1:0] = 10	–	2.0	–	
SEQ_CLK_SPEED[1:0] = 11	–	4.0	–		
t_{R4}	Rise time of RESETBMCU	–	0.2	–	ms
t_{D5}	Turn-on delay of RESETBMCU	–	2.0	–	ms

Notes

16. Assumes LICELL voltage is valid before VIN is applied. If LICELL is not valid before VIN is applied then VSNVS turn-on delay may extend to a maximum of 24 ms.
17. Depends on the external signal driving PWRON.
18. Default configuration.
19. Rise time is a function of slew rate of regulators and nominal voltage selected.

7.1.2 One Time Programmability (OTP)

OTP allows the programming of start-up configurations for a variety of applications. Before permanently programming the IC by programming fuses, a configuration may be prototyped by using the “Try Before Buy” (TBB) feature. Further, an error correction code(ECC) algorithm is available to correct a single bit error and to detect multiple bit errors when fuses are programmed.

The parameters that can be configured by OTP are listed below.

- General: I²C slave address, PWRON pin configuration, start-up sequence and timing
- Buck regulators: Output voltage, dual/single phase or independent mode configuration, switching frequency, and soft start ramp rate
- Boost regulator and LDOs: Output voltage

NOTE: When prototyping or programming fuses, the user must ensure that register settings are consistent with the hardware configuration. This is most important for the buck regulators, where the quantity, size, and value of the inductors depend on the configuration (single/dual phase or independent mode) and the switching frequency. Additionally, if an LDO is powered by a buck regulator, it will be gated by the buck regulator in the start-up sequence.

7.1.2.1 Start-up Sequence and Timing

Each regulator has 5-bits allocated to program its start-up time slot from a turn on event; therefore, each can be placed from position one to thirty-one in the start-up sequence. The all zeros code indicates that a regulator is not part of the start-up sequence and will remain off. See [Table 11](#). The delay between each position is equal; however, four delay options are available. See [Table 12](#). The start-up sequence will terminate at the last programmed regulator.

Table 11. Start-up Sequence

SWxx_SEQ[4:0]/ VGENx_SEQ[4:0]/ VREFDDR_SEQ[4:0]	Sequence
00000	Off
00001	SEQ_CLK_SPEED[1:0] * 1
00010	SEQ_CLK_SPEED[1:0] * 2
*	*
*	*
*	*
*	*
11111	SEQ_CLK_SPEED[1:0] * 31

Table 12. Start-up Sequence Clock Speed

SEQ_CLK_SPEED[1:0]	Time (μs)
00	500
01	1000
10	2000
11	4000

7.1.2.2 PWRON Pin Configuration

The PWRON pin can be configured as either a level sensitive input (PWRON_CFG = 0), or as an edge sensitive input (PWRON_CFG = 1). As a level sensitive input, an active high signal turns on the part and an active low signal turns off the part, or puts it into Sleep mode. As an edge sensitive input, such as when connected to a mechanical switch, a falling edge will turn on the part and if the switch is held low for greater than or equal to 4.0 seconds, the part will turn off or enter Sleep mode.

Table 13. PWRON Configuration

PWRON_CFG	Mode
0	PWRON pin HIGH = ON PWRON pin LOW = OFF or Sleep mode
1	PWRON pin pulled LOW momentarily = ON PWRON pin LOW for 4.0 seconds = OFF or Sleep mode

7.1.2.3 I²C Address Configuration

The I²C device address can be programmed from 0x08 to 0x0F. This allows flexibility to change the I²C address to avoid bus conflicts. Address bit, I2C_SLV_ADDR[3] in OTP_I2C_ADDR register is hard coded to “1” while the lower three LSBs of the I²C address (I2C_SLV_ADDR[2:0]) are programmable as shown in [Table 14](#).

Table 14. I²C Address Configuration

I2C_SLV_ADDR[3] Hard Coded	I2C_SLV_ADDR[2:0]	I ² C Device Address (Hex)
1	000	0x08
1	001	0x09
1	010	0x0A

Table 14. I²C Address Configuration

I2C_SLV_ADDR[3] Hard Coded	I2C_SLV_ADDR[2:0]	I ² C Device Address (Hex)
1	011	0x0B
1	100	0x0C
1	101	0x0D
1	110	0x0E
1	111	0x0F

7.1.2.4 Soft Start Ramp Rate

The start-up ramp rate or soft start ramp rate can be chosen from the same options as shown in [Dynamic Voltage Scaling](#).

7.1.3 OTP Prototyping

Before permanently programming fuses, it is possible to test the desired configuration by using the “Try Before Buy” feature. With this feature, the configuration is loaded from the OTP registers. These registers merely serve as temporary storage for the values to be written to the fuses, for the values read from the fuses, or for the values read from the default configuration. To avoid confusion, these registers will be referred to as the TBBOTP registers. The portion of the register map that concerns OTP is shown in [Table 136](#) and [Table 137](#).

The contents of the TBBOTP registers are initialized to zero when a valid VIN is first applied. The values that are then loaded into the TBBOTP registers depend on the setting of the VDDOTP pin and on the value of the TBB_POR and FUSE_POR bits. Refer to [Table 15](#).

- If VDDOTP = VCOREDIG (1.5 V), the values are loaded from the default configuration.
- If VDDOTP = 0.0 V, TBB_POR = 0 and FUSE_POR = 1, the values are loaded from the fuses.
- If VDDOTP = 0.0 V, TBB_POR = 0 and FUSE_POR = 0, the TBBOTP registers remain initialized at zero.

The initial value of TBB_POR is always “0”; only when VDDOTP = 0.0 V and TBB_POR is set to “1” are the values from the TBBOTP registers maintained and not loaded from a different source.

The contents of the TBBOTP registers are modified by I²C. To communicate with I²C, VIN must be valid and VDDIO, to which SDA and SCL are pulled up, must be powered by a 1.7 to 3.6 V supply. VIN, or the coin cell voltage must be valid to maintain the contents of the registers. To power on with the contents of the TBBOTP registers, the following conditions must exist; VIN is valid, VDDOTP = 0.0 V, TBB_POR = 1 and there is a valid turn-on event. Refer to the application note [AN4536](#) for an example of prototyping.

7.1.4 Reading OTP Fuses

As described in the previous section, the contents of the fuses are loaded to the TBBOTP registers when the following conditions are met; VIN is valid, VDDOTP = 0.0 V, TBB_POR = 0 and FUSE_POR = 1. If ECC were enabled at the time the fuses were programmed, the error corrected values can be loaded into the TBBOTP registers if desired. Once the fuses are loaded and a turn-on event occurs, the PMIC will power on with the configuration programmed in the fuses. For more details on reading the OTP fuses, see application note [AN4536](#).

7.1.5 Programming OTP Fuses

The parameters that can be programmed are shown in the TBBOTP registers in the [Extended Page 1](#) of the register map. The PF0100 offers ECC as well as automated programming, or manual programming. The control registers for these functions are located in [Extended Page 2](#) of the register map. There are ten banks of twenty-six fuses each that can be programmed. Programming the fuses requires an 8.25 V, 100 mA supply powering the VDDOTP pin, bypassed with 10 to 20 μ F of capacitance. For more details on programming the OTP fuses, see application note [AN4536](#).

Table 15. Source of Start-up Sequence

VDDOTP(V)	TBB_POR	FUSE_POR	Start-up Sequence
0	0	0	None
0	0	1	OTP fuses
0	1	x	TBBOTP registers
1.5	x	x	Factory defined

7.2 16 MHz and 32 kHz Clocks

There are two clocks: a trimmed 16 MHz, RC oscillator and an untrimmed 32 kHz, RC oscillator. The 16 MHz oscillator is specified within -8.0/+5.0%. The 32 kHz untrimmed clock is only used in the following conditions:

- $V_{IN} < UVDET$
- All regulators are in SLEEP mode
- All regulators are in PFM switching mode

A 32 kHz clock, derived from the 16 MHz trimmed clock, is used when accurate timing is needed under the following conditions:

- During start-up, $V_{IN} > UVDET$
- $PWRON_CFG = 1$, for power button debounce timing

In addition, when the 16 MHz is active in the ON mode, the debounce times in [Table 26](#) are referenced to the 32 kHz derived from the 16 MHz clock. The exceptions are the LOWVINI and PWRONI interrupts, which are referenced to the 32 kHz untrimmed clock.

Table 16. 16 MHz Clock Specifications

$T_A = -40$ to 85°C , $V_{IN} = 2.8$ to 4.5 V, LICELL = 1.8 to 3.3 V and typical external component values. Typical values are characterized at $V_{IN} = 3.6$ V, LICELL = 3.0 V, and 25°C , unless otherwise noted.

Parameters	Symbol	Min	Typ	Max	Units
Operating Voltage From VIN	$V_{IN16\text{MHz}}$	2.8	–	4.5	V
Frequency	$f_{16\text{MHz}}$	14.7	16	16.8	MHz

7.3 Bias and References Block Description

7.3.1 Internal Core Voltage References

All regulators use the main bandgap as the reference. The main bandgap is bypassed with a capacitor at VCOREREF. The bandgap and the rest of the core circuitry are supplied from VCORE. The performance of the regulators is directly dependent on the performance of the bandgap. No external DC loading is allowed on VCORE, VCOREDIG, or VCOREREF. VCOREDIG is kept powered as long as there is a valid supply and/or valid coin cell. [Table 17](#) shows the main characteristics of the core circuitry.

Table 17. Core Voltages Electrical Specifications⁽²¹⁾

$T_A = -40$ to 85 °C, $V_{IN} = 2.8$ to 4.5 V, LICELL = 1.8 to 3.3 V, and typical external component values. Typical values are characterized at $V_{IN} = 3.6$ V, LICELL = 3.0 V, and 25 °C, unless otherwise noted.

Parameters	Symbol	Min	Typ	Max	Units
VCOREDIG (DIGITAL CORE SUPPLY)					
Output Voltage ON mode ⁽²⁰⁾ Coin cell mode and OFF	$V_{COREDIG}$	– –	1.5 1.3	– –	V
VCORE (ANALOG CORE SUPPLY)					
Output Voltage ON mode and charging ⁽²⁰⁾ OFF and Coin cell mode	V_{CORE}	– –	2.775 0.0	– –	V
VCOREREF (BANDGAP / REGULATOR REFERENCE)					
Output Voltage ⁽²⁰⁾	$V_{COREREF}$	–	1.2	–	V
Absolute Accuracy	$V_{COREREFACC}$	–	0.5	–	%
Temperature Drift	$V_{COREREFTACC}$	–	0.25	–	%

Notes

- 20. 3.0 V < V_{IN} < 4.5 V, no external loading on VCOREDIG, VCORE, or VCOREREF. Extended operation down to UVDET, but no system malfunction.
- 21. For information only.

7.3.1.1 External Components

Table 18. External Components for Core Voltages

Regulator	Capacitor Value (μF)
VCOREDIG	1.0
VCORE	1.0
VCOREREF	0.22

7.3.2 VREFDDR Voltage Reference

VREFDDR is an internal PMOS half supply voltage follower capable of supplying up to 10 mA. The output voltage is at one half the input voltage. Its typically used as the reference voltage for DDR memories. A filtered resistor divider is utilized to create a low frequency pole. This divider then utilizes a voltage follower to drive the load.

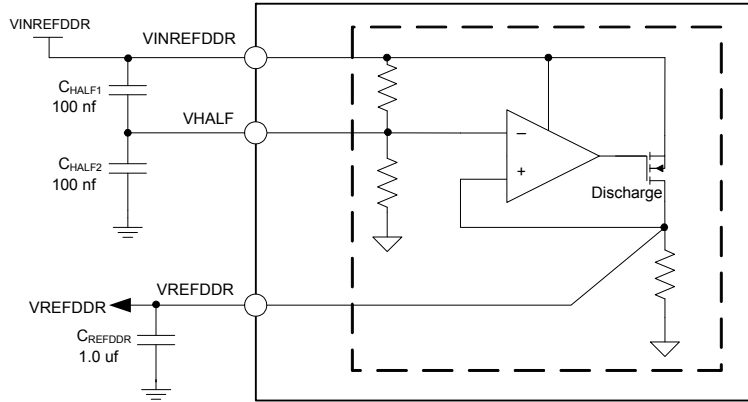


Figure 6. VREFDDR Block Diagram

7.3.2.1 VREFDDR Control Register

The VREFDDR voltage reference is controlled by a single bit in VREFDDCTRL register in [Table 19](#).

Table 19. Register VREFDDCTRL - ADDR 0x6A

Name	Bit #	R/W	Default	Description
UNUSED	3:0	–	0x00	UNUSED
VREFDDREN	4	R/W	0x00	Enable or disables VREFDDR output voltage 0 = VREFDDR Disabled 1 = VREFDDR Enabled
UNUSED	7:5	–	0x00	UNUSED

External Components

Table 20. VREFDDR External Components⁽²²⁾

Capacitor	Capacitance (μF)
VINREFDDR ⁽²³⁾ to VHALF	0.1
VHALF to GND	0.1
VREFDDR	1.0

Notes

- 22. Use X5R or X7R capacitors.
- 23. VINREFDDR to GND, 1.0 μF minimum capacitance is provided by buck regulator output.

VREFDDR Specifications

Table 21. VREFDDR Electrical Characteristics

$T_A = -40$ to 85 °C, $V_{IN} = 3.6$ V, $I_{REFDDR} = 0.0$ mA, $V_{INREFDDR} = 1.5$ V and typical external component values, unless otherwise noted. Typical values are characterized at $V_{IN} = 3.6$ V, $I_{REFDDR} = 0.0$ mA, $V_{INREFDDR} = 1.5$ V, and 25 °C, unless otherwise noted.

Parameter	Symbol	Min	Typ	Max	Unit
VREFDDR					
Operating Input Voltage Range	$V_{INREFDDR}$	1.2	–	1.8	V
Operating Load Current Range	I_{REFDDR}	0.0	–	10	mA
Current Limit I_{REFDDR} when V_{REFDDR} is forced to $V_{INREFDDR}/4$	$I_{REFDDRLIM}$	11.25	15	25	mA
Quiescent Current ⁽²⁴⁾	$I_{REFDDRQ}$	–	8.0	–	μ A

ACTIVE MODE – DC

Output Voltage 1.2 V < $V_{INREFDDR}$ < 1.8 V 0.0 mA < I_{REFDDR} < 10 mA	V_{REFDDR}	–	$V_{INREFDDR}/2$	–	V
Output Voltage Tolerance 1.2 V < $V_{INREFDDR}$ < 1.8 V 0.6 mA $\leq I_{REFDDR} \leq 10$ mA	$V_{REFDDRTOL}$	–1.0	–	1.0	%
Load Regulation 1.0 mA < I_{REFDDR} < 10 mA 1.2 V < $V_{INREFDDR}$ < 1.8 V	$V_{REFDDRLOR}$	–	0.40	–	mV/mA

ACTIVE MODE – AC

Turn-on Time Enable to 90% of end value $V_{INREFDDR} = 1.2$ V, 1.8 V $I_{REFDDR} = 0.0$ mA	$t_{ONREFDDR}$	–	–	100	μ s
Turn-Off Time Disable to 10% of initial value $V_{INREFDDR} = 1.2$ V, 1.8 V $I_{REFDDR} = 0.0$ mA	$t_{OFFREFDDR}$	–	–	10	ms
Start-up Overshoot $V_{INREFDDR} = 1.2$ V, 1.8 V $I_{REFDDR} = 0.0$ mA	$V_{REFDDROSH}$	–	1.0	6.0	%
Transient Load Response $V_{INREFDDR} = 1.2$ V, 1.8 V	$V_{REFDDRTLRL}$	–	5.0	–	mV

Notes

24. When VREFDDR is off there is a quiescent current of 1.5 μ A typical.

7.4 Power Generation

7.4.1 Modes of Operation

The operation of the PF0100 can be reduced to five states, or modes: ON, OFF, Sleep, Standby, and Coin Cell. [Figure 7](#) shows the state diagram of the PF0100, along with the conditions to enter and exit from each state.

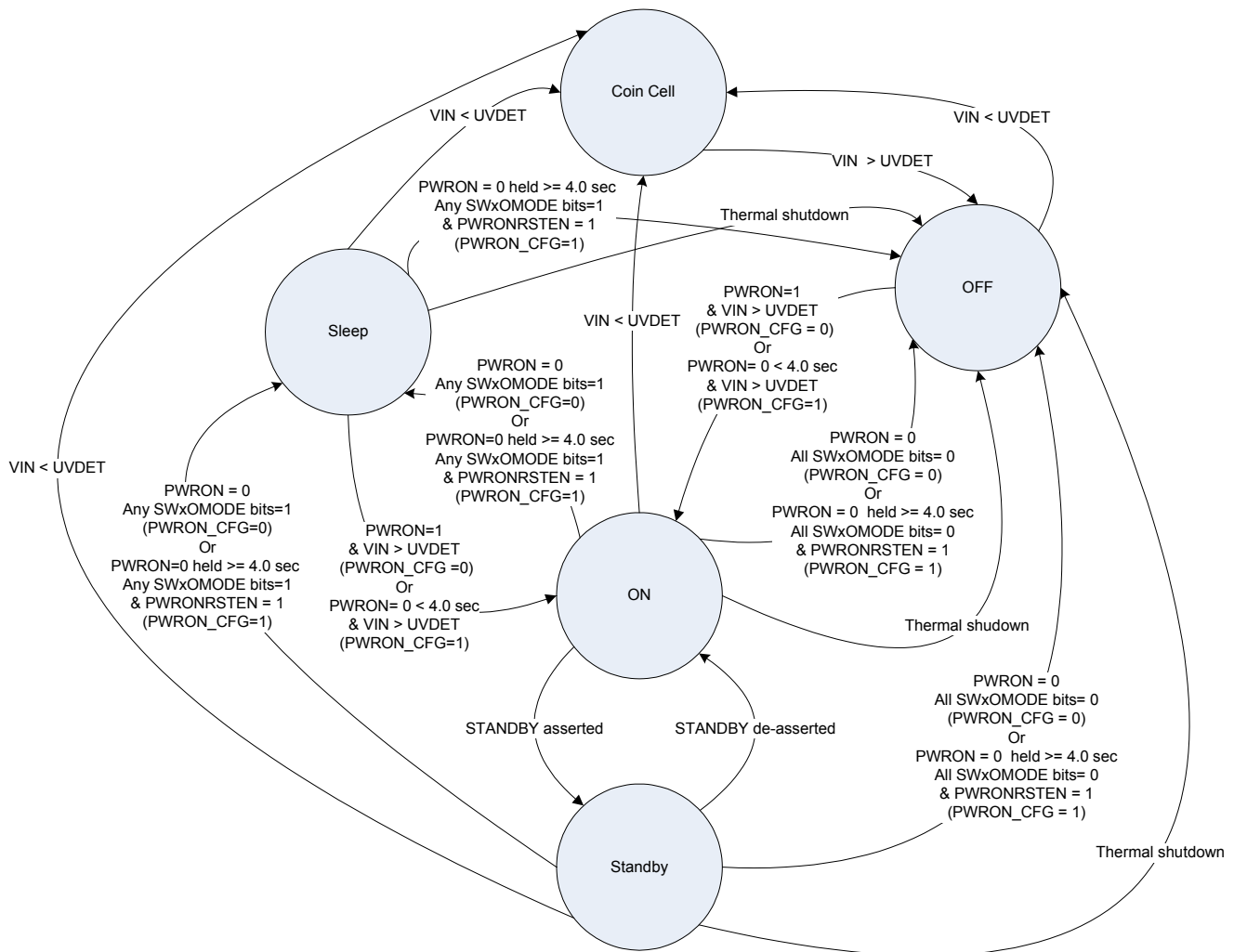


Figure 7. State Diagram

To complement the state diagram in [Figure 7](#), a description of the states is provided in following sections. Note that V_{IN} must exceed the rising $UVDET$ threshold to allow a power up. Refer to [Table 28](#) for the $UVDET$ thresholds. Additionally, I^2C control is not possible in the Coin Cell mode and the interrupt signal, $INTB$, is only active in Sleep, Standby, and ON states.

7.4.1.1 ON Mode

The PF0100 enters the On mode after a turn-on event. $RESETBMCU$ is de-asserted, high, in this mode of operation.

7.4.1.2 OFF Mode

The PF0100 enters the Off mode after a turn-off event. A thermal shutdown event also forces the PF0100 into the Off mode. Only VCOREDIG and VSNVS are powered in the mode of operation. To exit the Off mode, a valid turn-on event is required. RESETBMCU is asserted, LOW, in this mode.

7.4.1.3 Standby Mode

- Depending on STANDBY pin configuration, Standby is entered when the STANDBY pin is asserted. This is typically used for low-power mode of operation.
- When STANDBY is de-asserted, Standby mode is exited.

A product may be designed to go into a Low-power mode after periods of inactivity. The STANDBY pin is provided for board level control of going in and out of such deep sleep modes (DSM).

When a product is in DSM, it may be able to reduce the overall platform current by lowering the regulator output voltage, changing the operating mode of the regulators or disabling some regulators. The configuration of the regulators in Standby is pre-programmed through the I²C interface.

Note that the STANDBY pin is programmable for Active High or Active Low polarity, and that decoding of a Standby event will take into account the programmed input polarity as shown in [Table 22](#). When the PF0100 is powered up first, regulator settings for the Standby mode are mirrored from the regulator settings for the ON mode. To change the STANDBY pin polarity to Active Low, set the STANDBYINV bit via software first, and then change the regulator settings for Standby mode as required. For simplicity, STANDBY will generally be referred to as active high throughout this document.

Table 22. Standby Pin and Polarity Control

STANDBY (Pin) ⁽²⁶⁾	STANDBYINV (I ² C bit) ⁽²⁷⁾	STANDBY Control ⁽²⁵⁾
0	0	0
0	1	1
1	0	1
1	1	0

Notes

- STANDBY = 0: System is not in Standby, STANDBY = 1: System is in Standby
- The state of the STANDBY pin only has influence in On mode.
- Bit 6 in Power Control Register (ADDR - 0x1B)

Since STANDBY pin activity is driven asynchronously to the system, a finite time is required for the internal logic to qualify and respond to the pin level changes. A programmable delay is provided to hold off the system response to a Standby event. This allows the processor and peripherals some time after a standby instruction has been received to terminate processes to facilitate seamless entering into Standby mode.

When enabled (STBYDLY = 01, 10, or 11) per [Table 23](#), STBYDLY will delay the Standby initiated response for the entire IC, until the STBYDLY counter expires.

An allowance should be made for three additional 32 k cycles required to synchronize the Standby event.

Table 23. STANDBY Delay - Initiated Response

STBYDLY[1:0] ⁽²⁸⁾	Function
00	No Delay
01	One 32 k period (default)
10	Two 32 k periods
11	Three 32 k periods

Notes

- Bits [5:4] in Power Control Register (ADDR - 0x1B)

7.4.1.4 Sleep Mode

- Depending on PWRON pin configuration, Sleep mode is entered when PWRON is de-asserted and SWxOMODE bit is set.
- To exit Sleep mode, assert the PWRON pin.

In the Sleep mode, the regulator will use the set point as programmed by SW1xOFF[5:0] for SW1A/B/C and by SWxOFF[6:0] for SW2, SW3A/B, and SW4. The activated regulators will maintain settings for this mode and voltage until the next turn-on event. [Table 24](#) shows the control bits in Sleep mode. During Sleep mode, interrupts are active and the INTB pin will report any unmasked fault event.

Table 24. Regulator Mode Control

SWxOMODE	Off Operational Mode (Sleep) ⁽²⁹⁾
0	Off
1	PFM

Notes

29. For sleep mode, an activated switching regulator, should use the off mode set point as programmed by SW1xOFF[5:0] for SW1A/B/C and SWxOFF[6:0] for SW2, SW3A/B, and SW4.

7.4.1.5 Coin Cell Mode

In the Coin Cell state, the coin cell is the only valid power source ($V_{IN} = 0.0\text{ V}$) to the PMIC. No turn-on event is accepted in the Coin Cell state. Transition to the OFF state requires that V_{IN} surpasses UVDET threshold. RESETBMCU is held low in this mode. If the coin cell is depleted, a complete system reset will occur. At the next application of power and the detection of a Turn-on event, the system will be re-initialized with all I²C bits including, those that reset on COINPORB are restored to their default states.

7.4.2 State Machine Flow Summary

Table 25 provides a summary matrix of the PF0100 flow diagram to show the conditions needed to transition from one state to another.

Table 25. State Machine Flow Summary

STATE		Next State					
		OFF	Coin cell	Sleep	Standby	ON	
Initial State	OFF	X	$V_{IN} < UVDET$	X	X	PWRON_CFG = 0 PWRON = 1 & $V_{IN} > UVDET$ or PWRON_CFG = 1 PWRON = 0 < 4.0 s & $V_{IN} > UNDET$	
	Coin cell	$V_{IN} > UVDET$	X	X	X	X	
	Sleep	Thermal Shutdown	PWRON_CFG = 1 PWRON = 0 \geq 4.0 s Any SWxOMODE = 1 & PWRONRSTEN = 1	$V_{IN} < UVDET$	X	X	PWRON_CFG = 0 PWRON = 1 & $V_{IN} > UVDET$ or PWRON_CFG = 1 PWRON = 0 < 4.0 s & $V_{IN} > UNDET$
	Standby	Thermal Shutdown	PWRON_CFG = 0 PWRON = 0 All SWxOMODE = 0 or PWRON_CFG = 1 PWRON = 0 \geq 4.0 s All SWxOMODE = 0 & PWRONRSTEN = 1	$V_{IN} < UVDET$	PWRON_CFG = 0 PWRON = 0 Any SWxOMODE = 1 or PWRON_CFG = 1 PWRON = 0 \geq 4.0 s Any SWxOMODE = 1 & PWRONRSTEN = 1	X	Standby de-asserted
	ON	Thermal Shutdown	PWRON_CFG = 0 PWRON = 0 All SWxOMODE = 0 or PWRON_CFG = 1 PWRON = 0 \geq 4.0 s All SWxOMODE = 0 & PWRONRSTEN = 1	$V_{IN} < UVDET$	PWRON_CFG = 0 PWRON = 0 Any SWxOMODE = 1 or PWRON_CFG = 1 PWRON = 0 \geq 4.0 s Any SWxOMODE = 1 & PWRONRSTEN = 1	Standby asserted	X

7.4.2.1 Turn On Events

From OFF and Sleep modes, the PMIC is powered on by a turn-on event. The type of Turn-on event depends on the configuration of PWRON. PWRON may be configured as an active high when PWRON_CFG = 0, or as the input of a mechanical switch when PWRON_CFG = 1. V_{IN} must be greater than UVDET for the PMIC to turn-on. When PWRON is configured as an active high and PWRON is high (pulled up to VSNVS) before V_{IN} is valid, a V_{IN} transition from 0.0 V to a voltage greater than UVDET is also a Turn-on event. See the State diagram, Figure 7, and the Table 25 for more details. Any regulator enabled in the Sleep mode will remain enabled when transitioning from Sleep to ON, i.e., the regulator will not be turned off and then on again to match the start-up sequence. The following is a more detailed description of the PWRON configurations:

- If PWRON_CFG = 0, the PWRON signal is high and $V_{IN} > UVDET$, the PMIC will turn on; the interrupt and sense bits, PWRONI and PWRONS respectively, will be set.
- If PWRON_CFG = 1, $V_{IN} > UVDET$ and PWRON transitions from high to low, the PMIC will turn on; the interrupt and sense bits, PWRONI and PWRONS respectively, will be set.

The sense bit will show the real time status of the PWRON pin. In this configuration, the PWRON input can be a mechanical switch debounced through a programmable debouncer, PWRONDBNC[1:0], to avoid a response to a very short (i.e., unintentional) key press. The interrupt is generated for both the falling and the rising edge of the PWRON pin. By default, a 30 ms interrupt debounce is applied to both falling and rising edges. The falling edge debounce timing can be extended with PWRONDBNC[1:0] as defined in the table below. The interrupt is cleared by software, or when cycling through the OFF mode.

Table 26. PWRON Hardware Debounce Bit Settings

Bits	State	Turn On Debounce (ms)	Falling Edge INT Debounce (ms)	Rising Edge INT Debounce (ms)
PWRONDBNC[1:0]	00	0.0	31.25	31.25
	01	31.25	31.25	31.25
	10	125	125	31.25
	11	750	750	31.25

Notes

30. The sense bit, PWRONS, is not debounced and follows the state of the PWRON pin.

7.4.2.2 Turn Off Events

PWRON Pin

The PWRON pin is used to power off the PF0100. The PWRON pin can be configured with OTP to power off the PMIC under the following two conditions:

1. PWRON_CFG bit = 0, SWxOMODE bit = 0 and PWRON pin is low.
2. PWRON_CFG bit = 1, SWxOMODE bit = 0, PWRONRSTEN = 1 and PWRON is held low for longer than 4.0 seconds. Alternatively, the system can be configured to restart automatically by setting the RESTARTEN bit.

Thermal Protection

If the die temperature surpasses a given threshold, the thermal protection circuit will power off the PMIC to avoid damage. A turn-on event will not power on the PMIC while it is in thermal protection. The part will remain in Off mode until the die temperature decreases below a given threshold. There are no specific interrupts related to this other than the warning interrupt. See [Power Dissipation](#) section for more detailed information.

Under-voltage Detection

When the voltage at VIN drops below the under-voltage falling threshold, UVDET, the state machine will transition to the Coin Cell mode.

7.4.3 Power Tree

The PF0100 PMIC features six buck regulators, one boost regulator, six general purpose LDOs, one switch/LDO combination, and a DDR voltage reference to supply voltages for the application processor and peripheral devices. The buck regulators as well as the boost regulator are supplied directly from the main input supply (V_{IN}). The inputs to all of the buck regulators must be tied to VIN, whether they are powered on or off. The six general use LDO regulators are directly supplied from the main input supply or from the switching regulators depending on the application requirements. Since VREFDDR is intended to provide DDR memory reference voltage, it should be supplied by any rail supplying voltage to DDR memories; the typical application recommends the use of SW3 as the input supply for VREFDDR. VSNVS is supplied by either the main input supply or the coin cell. Refer to [Table 27](#) for a summary of all power supplies provided by the PF0100.

Table 27. Power Tree Summary

Supply	Output Voltage (V)	Step Size (mV)	Maximum Load Current (mA)
SW1A/B	0.3 - 1.875	25	2500
SW1C	0.3 - 1.875	25	2000
SW2	0.4 - 3.3	25/50	2000
SW3A/B	0.4 - 3.3	25/50	1250 ⁽³¹⁾
SW4	0.5*SW3A_OUT, 0.4 - 3.3	25/50	1000
SWBST	5.00/5.05/5.10/5.15	50	600
VGEN1	0.80 – 1.55	50	100
VGEN2	0.80 – 1.55	50	250
VGEN3	1.8 – 3.3	100	100
VGEN4	1.8 – 3.3	100	350
VGEN5	1.8 – 3.3	100	100
VGEN6	1.8 – 3.3	100	200
VSNVS	1.0 - 3.0	NA	0.4
VREFDDR	0.5*SW3A_OUT	NA	10

Notes

31. Current rating per independent phase, when SW3A/B is set in single or dual phase, current capability is up to 2500 mA.

[Figure 8](#) shows a simplified power map with various recommended options to supply the different block within the PF0100, as well as the typical application voltage domain on the i.MX6X processor. Note that each application power tree is dependent upon the system's voltage and current requirements, therefore a proper input voltage should be selected for the regulators.

The minimum operating voltage for the main V_{IN} supply is 2.8 V, for lower voltages proper operation is not guaranteed. However at initial power up, the input voltage must surpass the rising UVDET threshold before proper operation is guaranteed. Refer to the representative tables and text specifying each supply for information on performance metrics and operating ranges. [Table 28](#) summarizes the UVDET thresholds.

Table 28. UVDET Threshold

UVDET Threshold	V_{IN}
Rising	3.1 V
Falling	2.65 V

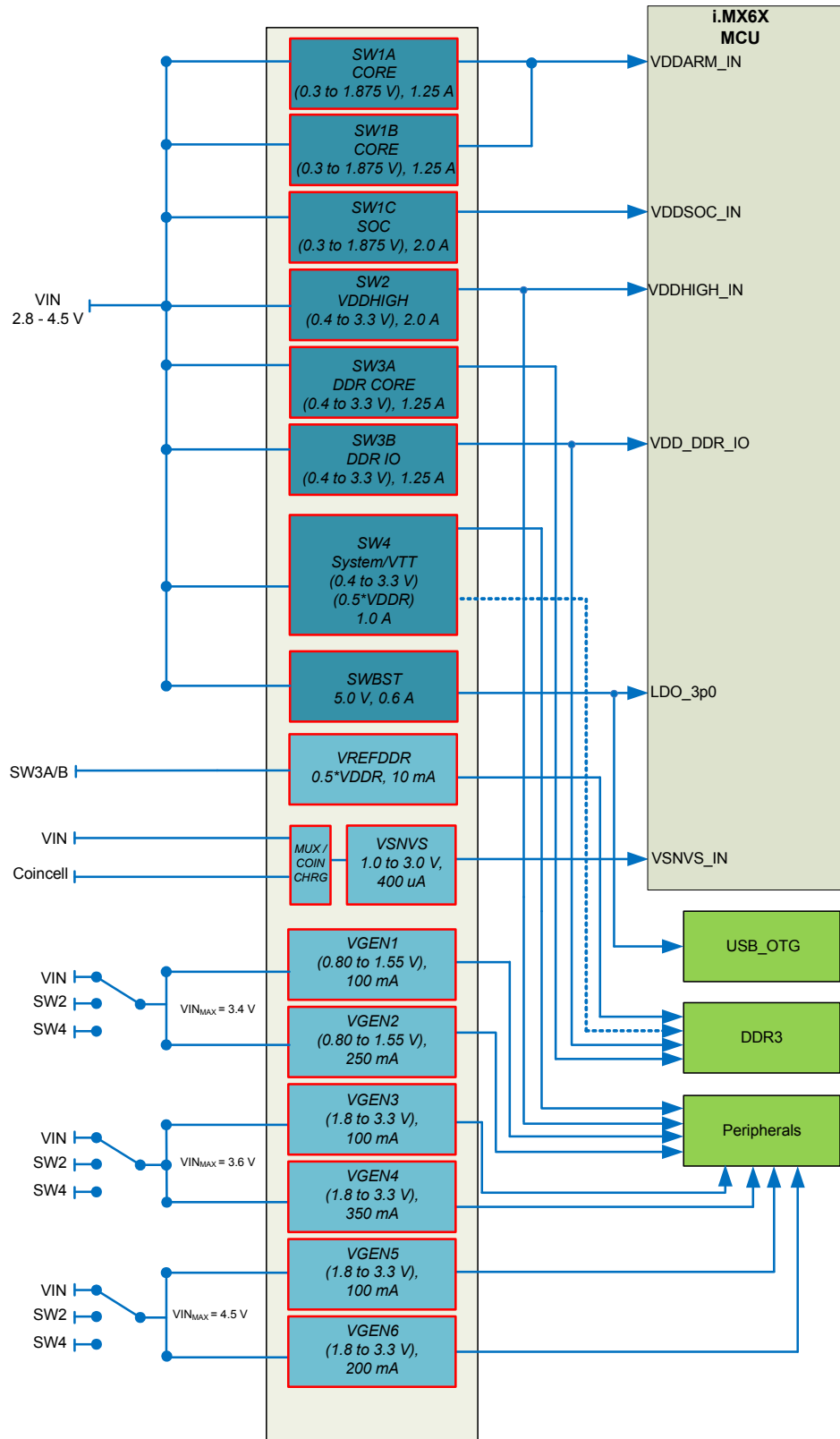


Figure 8. PF0100 Typical Power Map

7.4.4 Buck Regulators

Each buck regulator is capable of operating in PFM, APS, and PWM switching modes.

7.4.4.1 Current Limit

Each buck regulator has a programmable current limit. In an over-current condition, the current is limited cycle-by-cycle. If the current limit condition persists for more than 8.0 ms, a fault interrupt is generated.

7.4.4.2 General Control

To improve system efficiency the buck regulators can operate in different switching modes. Changing between switching modes can occur by any of the following means: I²C programming, exiting/entering the Standby mode, exiting/entering Sleep mode, and load current variation. Available switching modes for buck regulators are presented in [Table 29](#).

Table 29. Switching Mode Description

Mode	Description
OFF	The regulator is switched off and the output voltage is discharged.
PFM	In this mode, the regulator is always in PFM mode, which is useful at light loads for optimized efficiency.
PWM	In this mode, the regulator is always in PWM mode operation regardless of load conditions.
APS	In this mode, the regulator moves automatically between pulse skipping mode and PWM mode depending on load conditions.

During soft-start of the buck regulators, the controller transitions through the PFM, APS, and PWM switching modes. 3.0 ms (typical) after the output voltage reaches regulation, the controller transitions to the selected switching mode. Depending on the particular switching mode selected, additional ripple may be observed on the output voltage rail as the controller transitions between switching modes.

[Table 30](#) summarizes the Buck regulator programmability for Normal and Standby modes.

Table 30. Regulator Mode Control

SWxMODE[3:0]	Normal Mode	Standby Mode
0000	Off	Off
0001	PWM	Off
0010	Reserved	Reserved
0011	PFM	Off
0100	APS	Off
0101	PWM	PWM
0110	PWM	APS
0111	Reserved	Reserved
1000	APS	APS
1001	Reserved	Reserved
1010	Reserved	Reserved
1011	Reserved	Reserved
1100	APS	PFM
1101	PWM	PFM

Table 30. Regulator Mode Control

SWxMODE[3:0]	Normal Mode	Standby Mode
1110	Reserved	Reserved
1111	Reserved	Reserved

Transitioning between Normal and Standby modes can affect a change in switching modes as well as output voltage. The rate of the output voltage change is controlled by the Dynamic Voltage Scaling (DVS), explained in [Dynamic Voltage Scaling](#). For each regulator, the output voltage options are the same for Normal and Standby modes.

When in Standby mode, the regulator outputs the voltage programmed in its standby voltage register and will operate in the mode selected by the SWxMODE[3:0] bits. Upon exiting Standby mode, the regulator will return to its normal switching mode and its output voltage programmed in its voltage register.

Any regulators whose SWxOMODE bit is set to “1” will enter Sleep mode if a PWRON turn-off event occurs, and any regulator whose SWxOMODE bit is set to “0” will be turned off. In Sleep mode, the regulator outputs the voltage programmed in its off (Sleep) voltage register and operates in the PFM mode. The regulator will exit the Sleep mode when a turn-on event occurs. Any regulator whose SWxOMODE bit is set to “1” will remain on and change to its normal configuration settings when exiting the Sleep state to the ON state. Any regulator whose SWxOMODE bit is set to “0” will be powered up with the same delay in the start-up sequence as when powering On from Off. At this point, the regulator returns to its default ON state output voltage and switch mode settings.

[Table 24](#) shows the control bits in Sleep mode. When Sleep mode is activated by the SWxOMODE bit, the regulator will use the set point as programmed by SW1xOFF[5:0] for SW1A/B/C and by SWxOFF[6:0] for SW2, SW3A/B, and SW4.

Dynamic Voltage Scaling

To reduce overall power consumption, processor core voltages can be varied depending on the mode or activity level of the processor.

1. Normal operation: The output voltage is selected by I²C bits SW1x[5:0] for SW1A/B/C and SWx[6:0] for SW2, SW3A/B, and SW4. A voltage transition initiated by I²C is governed by the DVS stepping rates shown in [Table 33](#) and [Table 34](#).
2. Standby Mode: The output voltage can be higher, or lower than in normal operation, but is typically selected to be the lowest state retention voltage of a given processor; it is selected by I²C bits SW1xSTBY[5:0] for SW1A/B/C and by bits SWxSTBY[6:0] for SW2, SW3A/B, and SW4. Voltage transitions initiated by a Standby event are governed by the SW1xDVSSPEED[1:0] and SWxDVSSPEED[1:0] I²C bits shown in [Table 33](#) and [Table 34](#), respectively.
3. Sleep Mode: The output voltage can be higher or lower than in normal operation, but is typically selected to be the lowest state retention voltage of a given processor; it is selected by I²C bits SW1xOFF[5:0] for SW1A/B/C and by bits SWxOFF[6:0] for SW2, SW3A/B, and SW4. Voltage transitions initiated by a turn-off event are governed by the SW1xDVSSPEED[1:0] and SWxDVSSPEED[1:0] I²C bits shown in [Table 33](#) and [Table 34](#), respectively.

[Table 31](#), [Table 32](#), [Table 33](#), and [Table 34](#) summarize the set point control and DVS time stepping applied to all regulators.

Table 31. DVS Control Logic for SW1A/B/C

STANDBY	Set Point Selected by
0	SW1x[5:0]
1	SW1xSTBY[5:0]

Table 32. DVS Control Logic for SW2, SW3A/B, and SW4

STANDBY	Set Point Selected by
0	SWx[6:0]
1	SWxSTBY[6:0]

Table 33. DVS Speed Selection for SW1A/B/C

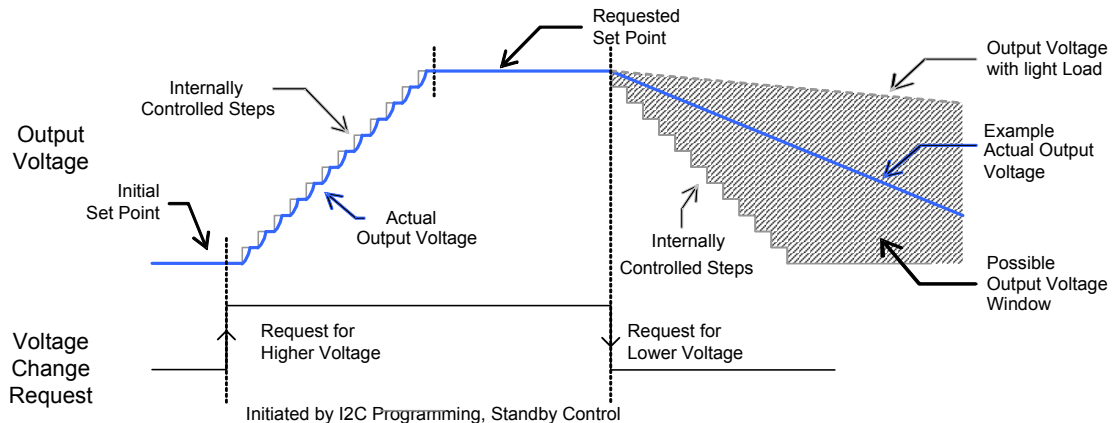
SW1xDVSSPEED[1:0]	Function
00	25 mV step each 2.0 μ s
01 (default)	25 mV step each 4.0 μ s
10	25 mV step each 8.0 μ s
11	25 mV step each 16 μ s

Table 34. DVS Speed Selection for SW2, SW3A/B, and SW4

SWxDVSSPEED[1:0]	Function	
	SWx[6] = 0 or SWxSTBY[6] = 0	SWx[6] = 1 or SWxSTBY[6] = 1
00	25 mV step each 2.0 μ s	50 mV step each 4.0 μ s
01 (default)	25 mV step each 4.0 μ s	50 mV step each 8.0 μ s
10	25 mV step each 8.0 μ s	50 mV step each 16 μ s
11	25 mV step each 16 μ s	50 mV step each 32 μ s

The regulators have a strong sourcing capability and sinking capability in PWM mode, therefore the fastest rising and falling slopes are determined by the regulator in PWM mode. However, if the regulators are programmed in PFM or APS mode during a DVS transition, the falling slope can be influenced by the load. Additionally, as the current capability in PFM mode is reduced, controlled DVS transitions in PFM mode could be affected. Critically timed DVS transitions are best assured with PWM mode operation.

The following diagram shows the general behavior for the regulators when initiated with I²C programming, or standby control. During the DVS period the over-current condition on the regulator should be masked.


Figure 9. Voltage Stepping with DVS

Regulator Phase Clock

The SWxPHASE[1:0] bits select the phase of the regulator clock as shown in [Table 35](#). By default, each regulator is initialized at 90° out of phase with respect to each other. For example, SW1x is set to 0°, SW2 is set to 90°, SW3A/B is set to 180°, and SW4 is set to 270° by default at power up.

Table 35. Regulator Phase Clock Selection

SWxPHASE[1:0]	Phase of Clock Sent to Regulator (degrees)
00	0
01	90
10	180
11	270

The SWxFREQ[1:0] register is used to set the desired switching frequency for each one of the buck regulators. [Table 37](#) shows the selectable options for SWxFREQ[1:0]. For each frequency, all phases will be available, this allows regulators operating at different frequencies to have different relative switching phases. However, not all combinations are practical. For example, 2.0 MHz, 90 ° and 4.0 MHz, 180 ° are the same in terms of phasing. [Table 36](#) shows the optimum phasing when using more than one switching frequency.

Table 36. Optimum Phasing

Frequencies	Optimum Phasing
1.0 MHz 2.0 MHz	0 ° 180 °
1.0 MHz 4.0 MHz	0 ° 180 °
2.0 MHz 4.0 MHz	0 ° 180 °
1.0 MHz 2.0 MHz 4.0 MHz	0 ° 90 ° 90 °

Table 37. Regulator Frequency Configuration

SWxFREQ[1:0]	Frequency
00	1.0 MHz
01	2.0 MHz
10	4.0 MHz
11	Reserved

Programmable Maximum Current

The maximum current, ISW_{xMAX} , of each buck regulator is programmable. This allows the use of smaller inductors where lower currents are required. Programmability is accomplished by choosing the number of paralleled power stages in each regulator. The SWx_PWRSTG[2:0] bits on the [Extended Page 2](#) of the register map control the number of power stages. See [Table 38](#) for the programmable options. Bit[0] must always be enabled to ensure the stage with the current sensor is chosen. The default setting, SWx_PWRSTG[2:0] = 111, represents the highest maximum current. The current limit for each option is also scaled by the percentage of power stages that are enabled.

Table 38. Programmable Current Configuration

Regulators	Control Bits			% of Power Stages Enabled	Rated Current (A)
SW1AB	SW1AB_PWRSTG[2:0]				ISW1AB _{MAX}
	0	0	1	40%	1.0
	0	1	1	80%	2.0
	1	0	1	60%	1.5
	1	1	1	100%	2.5
SW1C	SW1C_PWRSTG[2:0]				ISW1C _{MAX}
	0	0	1	43%	0.9
	0	1	1	58%	1.2
	1	0	1	86%	1.7
	1	1	1	100%	2.0
SW2	SW2_PWRSTG[2:0]				ISW2 _{MAX}
	0	0	1	38%	0.75
	0	1	1	75%	1.5
	1	0	1	63%	1.25
	1	1	1	100%	2.0
SW3A	SW3A_PWRSTG[2:0]				ISW3A _{MAX}
	0	0	1	40%	0.5
	0	1	1	80%	1.0
	1	0	1	60%	0.75
	1	1	1	100%	1.25
SW3B	SW3B_PWRSTG[2:0]				ISW3B _{MAX}
	0	0	1	40%	0.5
	0	1	1	80%	1.0
	1	0	1	60%	0.75
	1	1	1	100%	1.25
SW4	SW4_PWRSTG[2:0]				ISW4 _{MAX}
	0	0	1	50%	0.5
	0	1	1	75%	0.75
	1	0	1	75%	0.75
	1	1	1	100%	1.0

7.4.4.3 SW1A/B/C

SW1A/B/C are 2.5 to 4.5 A buck regulators that can be configured in various phasing schemes, depending on the desired cost/performance trade-offs. The following configurations are available:

- SW1A/B/C single phase with one inductor
- SW1A/B as a single phase with one inductor and SW1C in independent mode with one inductor
- SW1A/B as a dual phase with two inductors and SW1C in independent mode with one inductor

The desired configuration is programmed by OTP by using SW1_CONFIG[1:0] bits in the register map [Extended Page 1](#), as shown in [Table 39](#).

Table 39. SW1 Configuration

SW1_CONFIG[1:0]	Description
00	A/B/C Single Phase
01	A/B Single Phase C Independent mode
10	A/B Dual Phase C Independent mode
11	Reserved

SW1A/B/C Single Phase

In this configuration, all phases A, B, and C, are connected together to a single inductor, thus, providing up to 4.50 A current capability for high current applications. The feedback and all other controls are accomplished by use of pin SW1CFB and SW1C control registers, respectively. [Figure 10](#) shows the connection for SW1A/B/C in single phase mode.

During Single Phase mode operation, all three phases will use the same configuration for frequency, phase, and DVS speed set in SW1CCONF register. However, the same configuration settings for frequency, phase, and DVS speed setting on SW1AB registers should be used. The SW1FB pin should be left floating in this configuration.

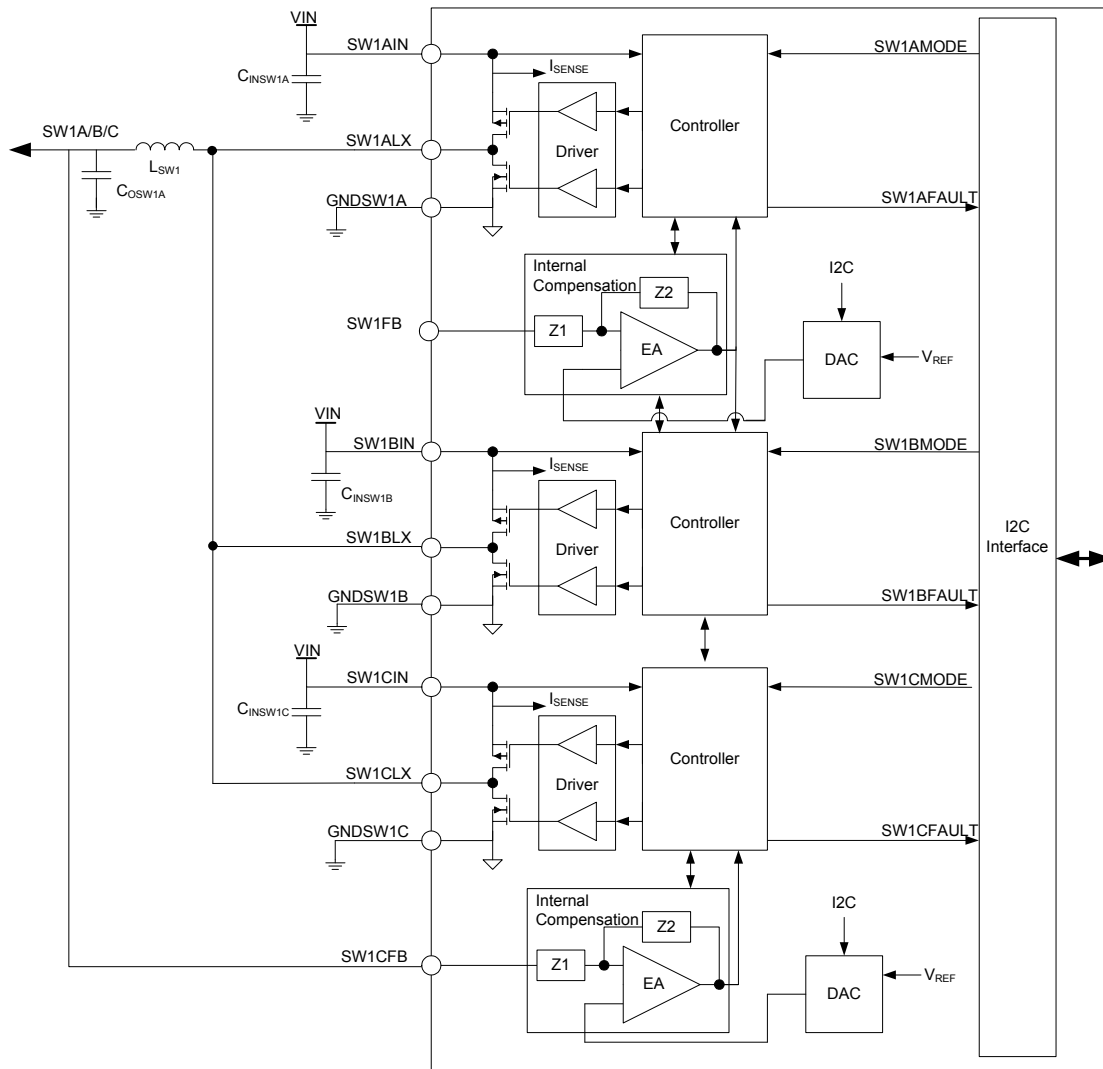


Figure 10. SW1A/B/C Single Phase Block Diagram

SW1A/B Single Phase - SW1C Independent Mode

In this configuration, SW1A/B is connected as a single phase with a single inductor, while SW1C is used as an independent output, using its own inductor and configurations parameters. This configuration allows reduced component count by using only one inductor for SW1A/B. As mentioned before, SW1A/B and SW1C operate independently from one another, thus, they can be operated with a different voltage set point for Normal, Standby, and Sleep modes, as well as switching mode selection and on/off control. [Figure 11](#) shows the physical connection for SW1A/B in single phase and SW1C as an independent output.

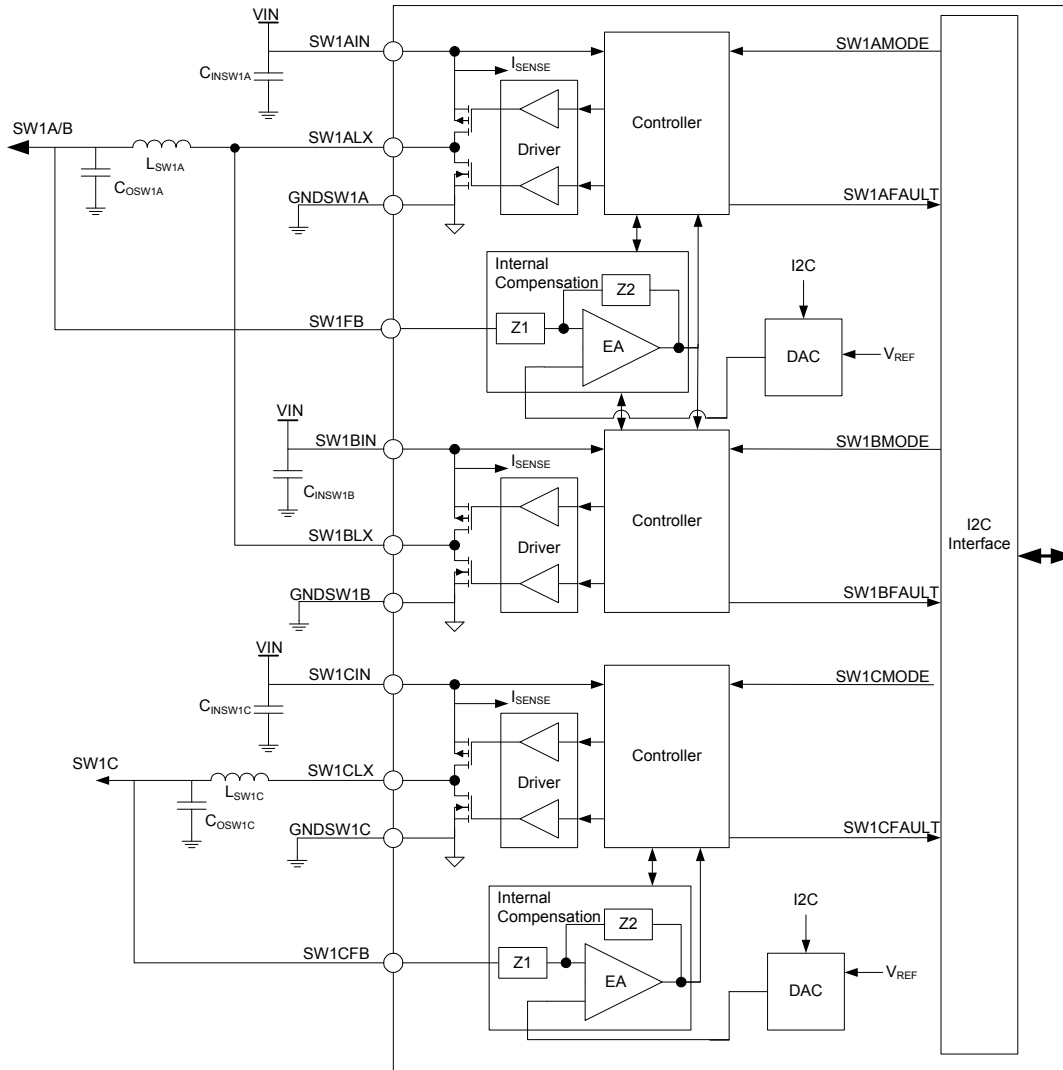


Figure 11. SW1A/B Single Phase, SW1C Independent Mode Block Diagram

Both SW1ALX and SW1BLX nodes operate at the same DVS, frequency, and phase configured by the SW1ABCONF register, while SW1CLX node operates independently, using the configuration in the SW1CCONF register.

SW1A/B Dual Phase - SW1C Independent Mode

In this mode, SW1A/B is connected in dual phase mode using one inductor per switching node, while SW1C is used as an independent output using its own inductor and configuration parameters. This mode provides a smaller output voltage ripple on the SW1A/B output. As mentioned before, SW1A/B and SW1C operate independently from one another, thus, they can be operated with a different voltage set point for Normal, Standby, and Sleep modes, as well as switching mode selection and on/off control. [Figure 12](#) shows the physical connection for SW1A/B in dual phase and SW1C as an independent output.

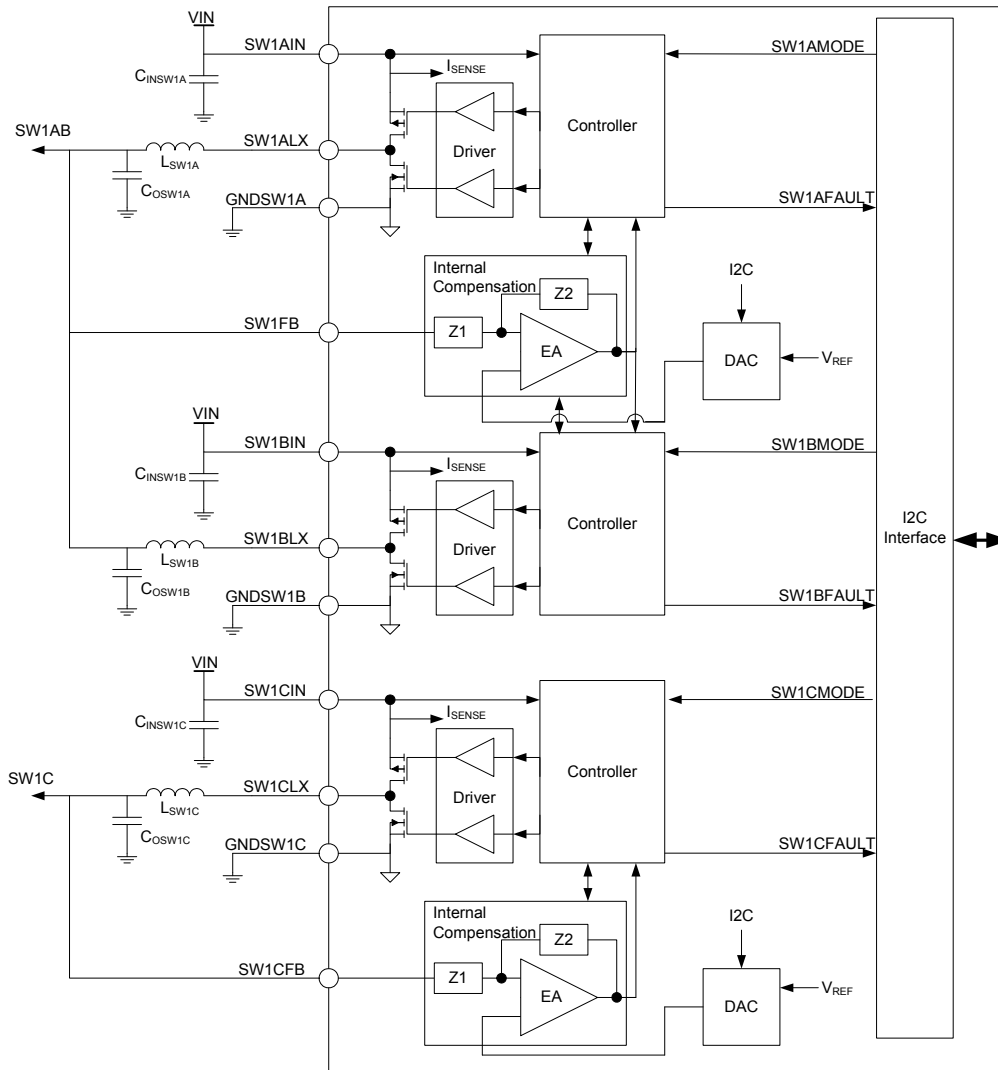


Figure 12. SW1A/B Dual Phase, SW1C Independent Mode Block Diagram

In this mode of operation, SW1ALX and SW1BLX nodes operate automatically at 180 ° phase shift from each other and use the same frequency and DVS configured by SW1ABCONF register, while SW1CLX node operate independently using the configuration in the SW1CCONF register.

SW1A/B/C Setup and Control Registers

SW1A/B and SW1C output voltages are programmable from 0.300 to 1.875 V in steps of 25 mV. The output voltage set point is independently programmed for Normal, Standby, and Sleep mode by setting the SW1x[5:0], SW1xSTBY[5:0], and SW1xOFF[5:0] bits respectively. [Table 40](#) shows the output voltage coding for SW1A/B or SW1C.

Table 40. SW1A/B/C Output Voltage Configuration

Set Point	SW1x[5:0] SW1xSTBY[5:0] SW1xOFF[5:0]	SW1x Output (V)	Set Point	SW1x[5:0] SW1xSTBY[5:0] SW1xOFF[5:0]	SW1x Output (V)
0	000000	0.3000	32	100000	1.1000
1	000001	0.3250	33	100001	1.1250
2	000010	0.3500	34	100010	1.1500
3	000011	0.3750	35	100011	1.1750
4	000100	0.4000	36	100100	1.2000
5	000101	0.4250	37	100101	1.2250
6	000110	0.4500	38	100110	1.2500
7	000111	0.4750	39	100111	1.2750
8	001000	0.5000	40	101000	1.3000
9	001001	0.5250	41	101001	1.3250
10	001010	0.5500	42	101010	1.3500
11	001011	0.5750	43	101011	1.3750
12	001100	0.6000	44	101100	1.4000
13	001101	0.6250	45	101101	1.4250
14	001110	0.6500	46	101110	1.4500
15	001111	0.6750	47	101111	1.4750
16	010000	0.7000	48	110000	1.5000
17	010001	0.7250	49	110001	1.5250
18	010010	0.7500	50	110010	1.5500
19	010011	0.7750	51	110011	1.5750
20	010100	0.8000	52	110100	1.6000
21	010101	0.8250	53	110101	1.6250
22	010110	0.8500	54	110110	1.6500
23	010111	0.8750	55	110111	1.6750
24	011000	0.9000	56	111000	1.7000
25	011001	0.9250	57	111001	1.7250
26	011010	0.9500	58	111010	1.7500
27	011011	0.9750	59	111011	1.7750
28	011100	1.0000	60	111100	1.8000
29	011101	1.0250	61	111101	1.8250
30	011110	1.0500	62	111110	1.8500
31	011111	1.0750	63	111111	1.8750

[Table 41](#) provides a list of registers used to configure and operate SW1A/B/C and a detailed description on each one of these register is provided in [Table 42](#) through [Table 51](#).

Table 41. SW1A/B/C Register Summary

Register	Address	Output
SW1ABVOLT	0x20	SW1AB Output voltage set point in normal operation
SW1ABSTBY	0x21	SW1AB Output voltage set point on Standby
SW1ABOFF	0x22	SW1AB Output voltage set point on Sleep
SW1ABMODE	0x23	SW1AB Switching Mode selector register
SW1ABCONF	0x24	SW1AB DVS, Phase, Frequency and ILIM configuration
SW1CVOLT	0x2E	SW1C Output voltage set point in normal operation
SW1CSTBY	0x2F	SW1C Output voltage set point in Standby
SW1COFF	0x30	SW1C Output voltage set point in Sleep
SW1CMODE	0x31	SW1C Switching Mode selector register
SW1CCONF	0x32	SW1C DVS, Phase, Frequency and ILIM configuration

Table 42. Register SW1ABVOLT - ADDR 0x20

Name	Bit #	R/W	Default	Description
SW1AB	5:0	R/W	0x00	Sets the SW1AB output voltage during normal operation mode. See Table 40 for all possible configurations.
UNUSED	7:6	–	0x00	UNUSED

Table 43. Register SW1ABSTBY - ADDR 0x21

Name	Bit #	R/W	Default	Description
SW1ABSTBY	5:0	R/W	0x00	Sets the SW1AB output voltage during Standby mode. See Table 40 for all possible configurations.
UNUSED	7:6	–	0x00	UNUSED

Table 44. Register SW1ABOFF - ADDR 0x22

Name	Bit #	R/W	Default	Description
SW1ABOFF	5:0	R/W	0x00	Sets the SW1AB output voltage during Sleep mode. See Table 40 for all possible configurations.
UNUSED	7:6	–	0x00	UNUSED

Table 45. Register SW1ABMODE - ADDR 0x23

Name	Bit #	R/W	Default	Description
SW1ABMODE	3:0	R/W	0x80	Sets the SW1AB switching operation mode. See Table 30 for all possible configurations.
UNUSED	4	–	0x00	UNUSED
SW1ABOMODE	5	R/W	0x00	Set status of SW1AB when in Sleep mode 0 = OFF 1 = PFM
UNUSED	7:6	–	0x00	UNUSED

Table 46. Register SW1ABCONF - ADDR 0x24

Name	Bit #	R/W	Default	Description
SW1ABILIM	0	R/W	0x00	SW1AB current limit level selection 0 = High level current limit 1 = Low level current limit
UNUSED	1	R/W	0x00	Unused
SW1ABFREQ	3:2	R/W	0x00	SW1A/B switching frequency selector. See Table 37 .
SW1ABPHASE	5:4	R/W	0x00	SW1A/B Phase clock selection. See Table 35 .
SW1ABDVSSPEED	7:6	R/W	0x00	SW1A/B DVS speed selection. See Table 33 .

Table 47. Register SW1CVOLT - ADDR 0x2E

Name	Bit #	R/W	Default	Description
SW1C	5:0	R/W	0x00	Sets the SW1C output voltage during normal operation mode. See Table 40 for all possible configurations.
UNUSED	7:6	–	0x00	UNUSED

Table 48. Register SW1CSTBY - ADDR 0x2F

Name	Bit #	R/W	Default	Description
SW1CSTBY	5:0	R/W	0x00	Sets the SW1C output voltage during Standby mode. See Table 40 for all possible configurations.
UNUSED	7:6	–	0x00	UNUSED

Table 49. Register SW1COFF - ADDR 0x30

Name	Bit #	R/W	Default	Description
SW1COFF	5:0	R/W	0x00	Sets the SW1C output voltage during Sleep mode. See Table 40 for all possible configurations.
UNUSED	7:6	–	0x00	UNUSED

Table 50. Register SW1CMODE - ADDR 0x31

Name	Bit #	R/W	Default	Description
SW1CMODE	3:0	R/W	0x80	Sets the SW1C switching operation mode. See Table 29 for all possible configurations.
UNUSED	4	–	0x00	UNUSED
SW1COMODE	5	R/W	0x00	Set status of SW1C when in Sleep mode 0 = OFF 1 = PFM
UNUSED	7:6	–	0x00	UNUSED

Table 51. Register SW1CCONF - ADDR 0x32

Name	Bit #	R/W	Default	Description
SW1CILIM	0	R/W	0x00	SW1C current limit level selection 0 = High level current limit 1 = Low level current limit
UNUSED	1	R/W	0x00	Unused
SW1CFREQ	3:2	R/W	0x00	SW1C switching frequency selector. See Table 37 .
SW1CPHASE	5:4	R/W	0x00	SW1C Phase clock selection. See Table 35 .
SW1CDVSSPEED	7:6	R/W	0x00	SW1C DVS speed selection. See Table 33 .

SW1A/B/C External Components

Table 52. SW1A/B/C External Component Recommendations

Components	Description	Mode		
		A/B/C Single Phase	A/B Single - C Independent Mode	A/B Dual - C Independent Mode
C _{INSW1A} ⁽³²⁾	SW1A Input capacitor	4.7 μ F	4.7 μ F	4.7 μ F
C _{IN1AHF} ⁽³²⁾	SW1A Decoupling input capacitor	0.1 μ F	0.1 μ F	0.1 μ F
C _{INSW1B} ⁽³²⁾	SW1B Input capacitor	4.7 μ F	4.7 μ F	4.7 μ F
C _{IN1BHF} ⁽³²⁾	SW1B Decoupling input capacitor	0.1 μ F	0.1 μ F	0.1 μ F
C _{INSW1C} ⁽³²⁾	SW1C Input capacitor	4.7 μ F	4.7 μ F	4.7 μ F
C _{IN1CHF} ⁽³²⁾	SW1C Decoupling input capacitor	0.1 μ F	0.1 μ F	0.1 μ F
C _{OSW1AB} ⁽³²⁾	SW1A/B Output capacitor	6 x 22 μ F	4 x 22 μ F	4 x 22 μ F
C _{OSW1C} ⁽³²⁾	SW1C Output capacitor	–	2 x 22 μ F	2 x 22 μ F
L _{SW1A}	SW1A Inductor	1.0 μ H DCR = 12 m Ω I _{SAT} = 4.5 A	1.0 μ H DCR = 12 m Ω I _{SAT} = 4.5 A	1.0 μ H DCR = 60 m Ω I _{SAT} = 2.4 A
L _{SW1B}	SW1B Inductor	–	–	1.0 μ H DCR = 60 m Ω I _{SAT} = 2.4 A

Table 52. SW1A/B/C External Component Recommendations

Components	Description	Mode		
		A/B/C Single Phase	A/B Single - C Independent Mode	A/B Dual - C Independent Mode
L _{SW1C}	SW1C Inductor	–	1.0 μH DCR = 60 mΩ I _{SAT} = 2.4 A	1.0 μH DCR = 60 mΩ I _{SAT} = 2.4 A
Notes 32. Use X5R or X7R capacitors.				

SW1A/B/C Specifications

Table 53. SW1A/B/C Electrical Characteristics

All parameters are specified at T_A = -40 to 85 °C, V_{IN} = VIN_{SW1x} = 3.6 V, V_{SW1x} = 1.2 V, I_{SW1x} = 100 mA, SW1x_PWRSTG[2:0] = [111], typical external component values, f_{SW1x} = 2.0 MHz, unless otherwise noted. Typical values are characterized at V_{IN} = VIN_{SW1x} = 3.6 V, V_{SW1x} = 1.2 V, I_{SW1x} = 100 mA, SW1x_PWRSTG[2:0] = [111], and 25 °C, unless otherwise noted.

Parameter	Symbol	Min	Typ	Max	Unit
SW1A/B/C (SINGLE PHASE)					
Operating Input Voltage	V _{IN} _{SW1A} V _{IN} _{SW1B} V _{IN} _{SW1C}	2.8	–	4.5	V
Nominal Output Voltage	V _{SW1ABC}	–	Table 40	–	V
Output Voltage Accuracy • PWM, APS, 2.8 V < V _{IN} < 4.5 V, 0 < I _{SW1ABC} < 4.5 A 0.3 V ≤ V _{SW1ABC} ≤ 1.450 V 1.475 V ≤ V _{SW1ABC} ≤ 1.875 V • PFM, steady state, 2.8 V < V _{IN} < 4.5 V, 0 < I _{SW1ABC} < 150 mA 0.3 V < V _{SW1ABC} < 0.85 V 0.875 V < V _{SW1ABC} < 1.875 V	V _{SW1ABCACC}	-25 -3.0%	– –	25 3.0%	mV %
Rated Output Load Current, 2.8 V < V _{IN} < 4.5 V, 0.3 V < V _{SW1ABC} < 1.875 V	I _{SW1ABC}	–	–	4500	mA
Current Limiter Peak Current Detection • Current through Inductor SW1ABILIM = 0 SW1ABILIM = 1	I _{SW1ABCLIM}	7.1 5.3	10.5 7.9	13.7 10.3	A
Start-up Overshoot I _{SW1ABC} = 0 mA DVS clk = 25 mV/4 μs, V _{IN} = VIN _{SW1x} = 4.5 V, V _{SW1ABC} = 1.875 V	V _{SW1ABCOSH}	–	–	66	mV
Turn-on Time Enable to 90% of end value I _{SW1x} = 0 mA DVS clk = 25 mV/4.0 μs, V _{IN} = VIN _{SW1x} = 4.5 V, V _{SW1ABC} = 1.875 V	t _{ON} _{SW1ABC}	–	–	500	μs
Switching Frequency SW1xFREQ[1:0] = 00 SW1xFREQ[1:0] = 01 SW1xFREQ[1:0] = 10	f _{SW1ABC}	– – –	1.0 2.0 4.0	– – –	MHz

Table 53. SW1A/B/C Electrical Characteristics

All parameters are specified at $T_A = -40$ to 85 °C, $V_{IN} = V_{IN_{SW1x}} = 3.6$ V, $V_{SW1x} = 1.2$ V, $I_{SW1x} = 100$ mA, $SW1x_PWRSTG[2:0] = [111]$, typical external component values, $f_{SW1x} = 2.0$ MHz, unless otherwise noted. Typical values are characterized at $V_{IN} = V_{IN_{SW1x}} = 3.6$ V, $V_{SW1x} = 1.2$ V, $I_{SW1x} = 100$ mA, $SW1x_PWRSTG[2:0] = [111]$, and 25 °C, unless otherwise noted.

Parameter	Symbol	Min	Typ	Max	Unit
SW1A/B/C (SINGLE PHASE) (CONTINUED)					
Efficiency <ul style="list-style-type: none"> $V_{IN} = 3.6$ V, $f_{SW1ABC} = 2.0$ MHz, $L_{SW1ABC} = 1.0$ μH PFM, 0.9 V, 1.0 mA PFM, 1.2 V, 50 mA APS, PWM, 1.2 V, 850 mA APS, PWM, 1.2 V, 1275 mA APS, PWM, 1.2 V, 2125 mA APS, PWM, 1.2 V, 4500 mA 	η_{SW1ABC}	–	77	–	%
Output Ripple	ΔV_{SW1ABC}	–	10	–	mV
Line Regulation (APS, PWM)	$V_{SW1ABCLIR}$	–	–	20	mV
DC Load Regulation (APS, PWM)	$V_{SW1ABCCLOR}$	–	–	20	mV
Transient Load Regulation <ul style="list-style-type: none"> Transient load = 0 to 2.25 A, $di/dt = 100$ mA/μs Overshoot Undershoot 	$V_{SW1ABCLOTR}$	–	–	50	mV
Quiescent Current PFM Mode APS Mode	$I_{SW1ABCQ}$	–	18	–	μ A
Discharge Resistance	$R_{SW1ABCDIS}$	–	600	–	Ω
SW1A/B (SINGLE/DUAL PHASE)					
Operating Input Voltage	$V_{IN_{SW1A}}$ $V_{IN_{SW1B}}$	2.8	–	4.5	V
Nominal Output Voltage	V_{SW1AB}	–	Table 40	–	V
Output Voltage Accuracy <ul style="list-style-type: none"> PWM, APS, 2.8 V < V_{IN} < 4.5 V, $0 < I_{SW1AB} < 2.5$ A 0.3 V $\leq V_{SW1AB} \leq 1.450$ V 1.475 V $\leq V_{SW1AB} \leq 1.875$ V PFM, steady state, 2.8 V < V_{IN} < 4.5 V, $0 < I_{SW1AB} < 150$ mA 0.3 V < $V_{SW1AB} < 0.85$ V 0.875 V < $V_{SW1AB} < 1.875$ V 	$V_{SW1ABACC}$	–25 –3.0%	– –	25 3.0%	mV %
Rated Output Load Current, ⁽³⁴⁾ 2.8 V < V_{IN} < 4.5 V, 0.3 V < $V_{SW1AB} < 1.875$ V	I_{SW1AB}	–	–	2500	mA
Current Limiter Peak Current Detection ⁽³⁴⁾ <ul style="list-style-type: none"> SW1A/B Single Phase (current through inductor) SW1ABILIM = 0 SW1ABILIM = 1 SW1A/B Dual Phase (current through inductor per phase) SW1ABILIM = 0 SW1ABILIM = 1 	$I_{SW1ABLIM}$	4.5 3.3	6.5 4.9	8.5 6.4	A
Start-up Overshoot $I_{SW1AB} = 0.0$ mA DVS clk = 25 mV/4 μ s, $V_{IN} = V_{IN_{SW1x}} = 4.5$ V, $V_{SW1AB} = 1.875$ V	$V_{SW1ABOSH}$	–	–	66	mV

Table 53. SW1A/B/C Electrical Characteristics

All parameters are specified at $T_A = -40$ to 85 °C, $V_{IN} = V_{IN_{SW1x}} = 3.6$ V, $V_{SW1x} = 1.2$ V, $I_{SW1x} = 100$ mA, $SW1x_PWRSTG[2:0] = [111]$, typical external component values, $f_{SW1x} = 2.0$ MHz, unless otherwise noted. Typical values are characterized at $V_{IN} = V_{IN_{SW1x}} = 3.6$ V, $V_{SW1x} = 1.2$ V, $I_{SW1x} = 100$ mA, $SW1x_PWRSTG[2:0] = [111]$, and 25 °C, unless otherwise noted.

Parameter	Symbol	Min	Typ	Max	Unit
SW1A/B (SINGLE/DUAL PHASE) (CONTINUED)					
Turn-on Time Enable to 90% of end value $I_{SW1AB} = 0.0$ mA DVS clk = 25 mV/4 μ s, $V_{IN} = V_{IN_{SW1x}} = 4.5$ V, $V_{SW1AB} = 1.875$ V	$t_{ON_{SW1AB}}$	–	–	500	μ s
Switching Frequency $SW1ABFREQ[1:0] = 00$ $SW1ABFREQ[1:0] = 01$ $SW1ABFREQ[1:0] = 10$	f_{SW1AB}	– – –	1.0 2.0 4.0	– – –	MHz
Efficiency (Single Phase) • $V_{IN} = 3.6$ V, $f_{SW1AB} = 2.0$ MHz, $L_{SW1AB} = 1.0$ μ H PFM, 0.9 V, 1.0 mA PFM, 1.2 V, 50 mA APS, PWM, 1.2 V, 500 mA APS, PWM, 1.2 V, 750 mA APS, PWM, 1.2 V, 1250 mA APS, PWM, 1.2 V, 2500 mA	η_{SW1AB}	– – – – – –	82 84 86 87 82 71	– – – – – –	%
Output Ripple	ΔV_{SW1AB}	–	10	–	mV
Line Regulation (APS, PWM)	$V_{SW1ABLIR}$	–	–	20	mV
DC Load Regulation (APS, PWM)	$V_{SW1ABLOR}$	–	–	20	mV
Transient Load Regulation • Transient load = 0 to 1.25 A, $di/dt = 100$ mA/ μ s Overshoot Undershoot	$V_{SW1ABLOTR}$	– –	– –	50 50	mV
Quiescent Current PFM Mode APS Mode	I_{SW1ABQ}	– –	18 235	– –	μ A
SW1A P-MOSFET R_{DSON} $V_{IN_{SW1A}} = 3.3$ V	$R_{ON_{SW1AP}}$	–	215	245	m Ω
SW1A N-MOSFET R_{DSON} $V_{IN_{SW1A}} = 3.3$ V	$R_{ON_{SW1AN}}$	–	258	326	m Ω
SW1A P-MOSFET Leakage Current $V_{IN_{SW1A}} = 4.5$ V	I_{SW1APQ}	–	–	7.5	μ A
SW1A N-MOSFET Leakage Current $V_{IN_{SW1A}} = 4.5$ V	I_{SW1ANQ}	–	–	2.5	μ A
SW1B P-MOSFET R_{DSON} $V_{IN_{SW1B}} = 3.3$ V	$R_{ON_{SW1BP}}$	–	215	245	m Ω
SW1B N-MOSFET R_{DSON} $V_{IN_{SW1B}} = 3.3$ V	$R_{ON_{SW1BN}}$	–	258	326	m Ω
SW1B P-MOSFET Leakage Current $V_{IN_{SW1B}} = 4.5$ V	I_{SW1BPQ}	–	–	7.5	μ A
SW1B N-MOSFET Leakage Current $V_{IN_{SW1B}} = 4.5$ V	I_{SW1BNQ}	–	–	2.5	μ A
Discharge Resistance	$R_{SW1ABDIS}$	–	600	–	Ω

Table 53. SW1A/B/C Electrical Characteristics

All parameters are specified at $T_A = -40$ to 85 °C, $V_{IN} = V_{IN_{SW1x}} = 3.6$ V, $V_{SW1x} = 1.2$ V, $I_{SW1x} = 100$ mA, $SW1x_PWRSTG[2:0] = [111]$, typical external component values, $f_{SW1x} = 2.0$ MHz, unless otherwise noted. Typical values are characterized at $V_{IN} = V_{IN_{SW1x}} = 3.6$ V, $V_{SW1x} = 1.2$ V, $I_{SW1x} = 100$ mA, $SW1x_PWRSTG[2:0] = [111]$, and 25 °C, unless otherwise noted.

Parameter	Symbol	Min	Typ	Max	Unit
SW1C (INDEPENDENT)					
Operating Input Voltage	$V_{IN_{SW1C}}$	2.8	–	4.5	V
Nominal Output Voltage	V_{SW1C}	–	Table 40	–	V
Output Voltage Accuracy • PWM, APS, 2.8 V < V_{IN} < 4.5 V, $0 < I_{SW1C} < 2.0$ A 0.3 V $\leq V_{SW1C} \leq 1.450$ V 1.475 V $\leq V_{SW1C} \leq 1.875$ V • PFM, steady state 2.8 V < V_{IN} < 4.5 V, $0 < I_{SW1C} < 50$ mA 0.3 V < $V_{SW1C} < 0.85$ V 0.875 V < $V_{SW1C} < 1.875$ V	$V_{SW1CACC}$	-25 -3.0%	– –	25 3.0%	mV
Rated Output Load Current 2.8 V < V_{IN} < 4.5 V, 0.3 V < $V_{SW1C} < 1.875$ V	I_{SW1C}	–	–	2000	mA
Current Limiter Peak Current Detection • Current through Inductor $SW1CILIM = 0$ $SW1CILIM = 1$	$I_{SW1CLIM}$	2.6 ⁽³³⁾ 1.95	4.0 3.0	5.2 3.9	A
Start-up Overshoot $I_{SW1C} = 0$ mA DVS clk = 25 mV/4 μ s, $V_{IN} = V_{IN_{SW1C}} = 4.5$ V, $V_{SW1C} = 1.875$ V	$V_{SW1COSH}$	–	–	66	mV
Turn-on Time Enable to 90% of end value $I_{SW1C} = 0$ mA DVS clk = 25 mV/4 μ s, $V_{IN} = V_{IN_{SW1C}} = 4.5$ V, $V_{SW1C} = 1.875$ V	$t_{ON_{SW1C}}$	–	–	500	μ s
Switching Frequency $SW1CFREQ[1:0] = 00$ $SW1CFREQ[1:0] = 01$ $SW1CFREQ[1:0] = 10$	f_{SW1C}	– – –	1.0 2.0 4.0	– – –	MHz
Efficiency • $V_{IN} = 3.6$ V, $f_{SW1C} = 2.0$ MHz, $L_{SW1C} = 1.0$ μ H PFM, 0.9 V, 1.0 mA PFM, 1.2 V, 50 mA APS, PWM, 1.2 V, 400 mA APS, PWM, 1.2 V, 600 mA APS, PWM, 1.2 V, 1000 mA APS, PWM, 1.2 V, 2000 mA	η_{SW1C}	– – – – – –	77 78 86 84 78 65	– – – – – –	%
Output Ripple	ΔV_{SW1C}	–	10	–	mV
Line Regulation (APS, PWM)	$V_{SW1CLIR}$	–	–	20	mV
DC Load Regulation (APS, PWM)	$V_{SW1CLOR}$	–	–	20	mV
Transient Load Regulation • Transient load = 0.0 mA to 1.0 A, $di/dt = 100$ mA/ μ s Overshoot Undershoot	$V_{SW1CLOTR}$	– –	– –	50 50	mV
Quiescent Current PFM Mode APS Mode	I_{SW1CQ}	– –	22 145	– –	μ A

Table 53. SW1A/B/C Electrical Characteristics

All parameters are specified at $T_A = -40$ to 85 °C, $V_{IN} = V_{IN_{SW1x}} = 3.6$ V, $V_{SW1x} = 1.2$ V, $I_{SW1x} = 100$ mA, $SW1x_PWRSTG[2:0] = [111]$, typical external component values, $f_{SW1x} = 2.0$ MHz, unless otherwise noted. Typical values are characterized at $V_{IN} = V_{IN_{SW1x}} = 3.6$ V, $V_{SW1x} = 1.2$ V, $I_{SW1x} = 100$ mA, $SW1x_PWRSTG[2:0] = [111]$, and 25 °C, unless otherwise noted.

Parameter	Symbol	Min	Typ	Max	Unit
SW1C (INDEPENDENT) (CONTINUED)					
SW1C P-MOSFET $R_{DS(on)}$ at $V_{IN_{SW1C}} = 3.3$ V	$R_{ON_{SW1CP}}$	–	184	206	m Ω
SW1C N-MOSFET $R_{DS(on)}$ at $V_{IN_{SW1C}} = 3.3$ V	$R_{ON_{SW1CN}}$	–	211	260	m Ω
SW1C P-MOSFET Leakage Current $V_{IN_{SW1C}} = 4.5$ V	I_{SW1CPQ}	–	–	10.5	μ A
SW1C N-MOSFET Leakage Current $V_{IN_{SW1C}} = 4.5$ V	I_{SW1CNQ}	–	–	3.5	μ A
Discharge Resistance	$R_{SW1CDIS}$	–	600	–	Ω

Notes

- 33. Meets 1.89 A current rating for VDDSOC_IN domain on i.MX6X processor.
- 34. Current rating of SW1AB supports the Power Virus mode of operation of the i.MX6X processor.

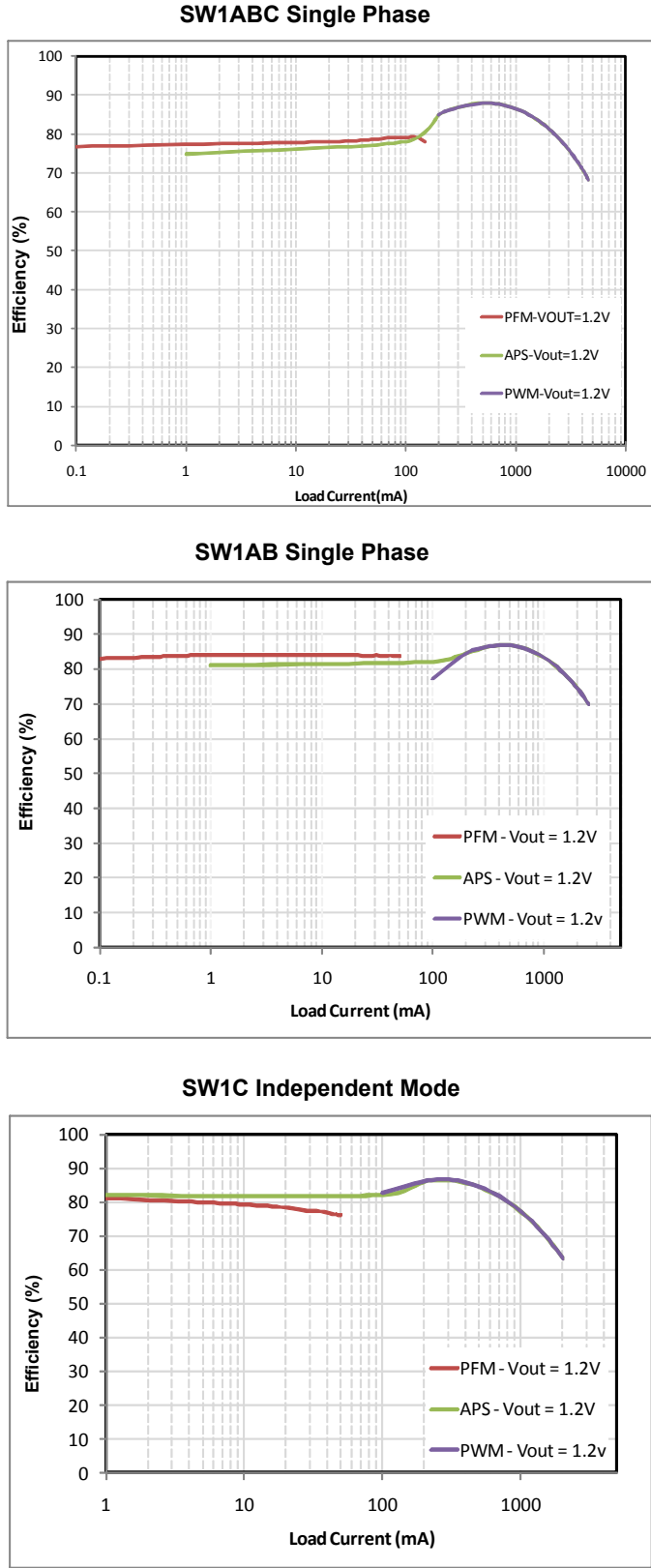


Figure 13. SW1AB and SW1C Efficiency Waveforms

7.4.4.4 SW2

SW2 is a single phase, 2.0 A rated buck regulator. [Table 29](#) describes the modes, and [Table 30](#) show the options for the SWxMODE[3:0] bits.

[Figure 14](#) shows the block diagram and the external component connections for SW2 regulator.

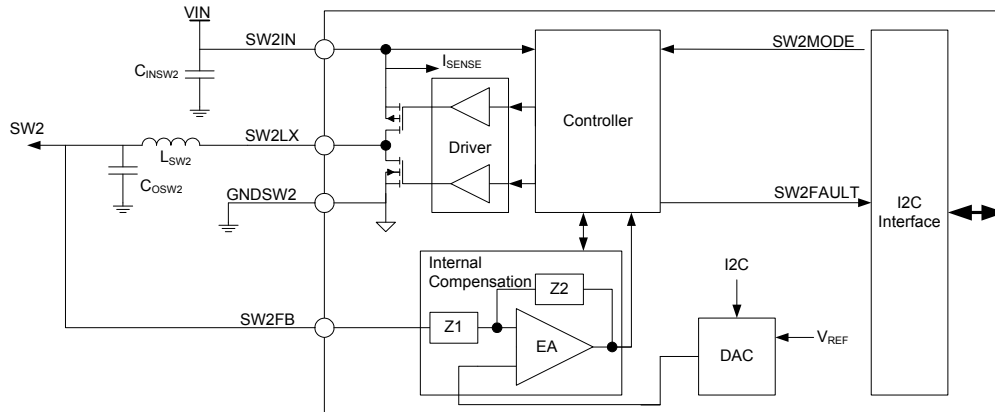


Figure 14. SW2 Block Diagram

SW2 Setup and Control Registers

SW2 output voltage is programmable from 0.400 to 3.300 V; however, bit SW2[6] in register SW2VOLT is read-only during normal operation. Its value is determined by the default configuration, or may be changed by using the OTP registers. Therefore, once SW2[6] is set to “0”, the output will be limited to the lower output voltages from 0.400 to 1.975 V with 25 mV increments, as determined by bits SW2[5:0]. Likewise, once bit SW2[6] is set to “1”, the output voltage will be limited to the higher output voltage range from 0.800 to 3.300 V with 50 mV increments, as determined by bits SW2[5:0].

In order to optimize the performance of the regulator, it is recommended that only voltages from 2.000 to 3.300 V be used in the high range, and the lower range be used for voltages from 0.400 to 1.975 V.

The output voltage set point is independently programmed for Normal, Standby, and Sleep mode by setting the SW2[5:0], SW2STBY[5:0] and SW2OFF[5:0] bits, respectively. However, the initial state of bit SW2[6] will be copied into bits SW2STBY[6], and SW2OFF[6] bits. Therefore, the output voltage range will remain the same in all three operating modes. [Table 54](#) shows the output voltage coding valid for SW2.

Table 54. SW2 Output Voltage Configuration

Low Output Voltage Range ⁽³⁵⁾			High Output Voltage Range		
Set Point	SW2[6:0]	SW2 Output	Set Point	SW2[6:0]	SW2 Output
0	0000000	0.4000	64	1000000	0.8000
1	0000001	0.4250	65	1000001	0.8500
2	0000010	0.4500	66	1000010	0.9000
3	0000011	0.4750	67	1000011	0.9500
4	0000100	0.5000	68	1000100	1.0000
5	0000101	0.5250	69	1000101	1.0500
6	0000110	0.5500	70	1000110	1.1000
7	0000111	0.5750	71	1000111	1.1500
8	0001000	0.6000	72	1001000	1.2000
9	0001001	0.6250	73	1001001	1.2500
10	0001010	0.6500	74	1001010	1.3000

Table 54. SW2 Output Voltage Configuration

Low Output Voltage Range ⁽³⁵⁾			High Output Voltage Range		
Set Point	SW2[6:0]	SW2 Output	Set Point	SW2[6:0]	SW2 Output
11	0001011	0.6750	75	1001011	1.3500
12	0001100	0.7000	76	1001100	1.4000
13	0001101	0.7250	77	1001101	1.4500
14	0001110	0.7500	78	1001110	1.5000
15	0001111	0.7750	79	1001111	1.5500
16	0010000	0.8000	80	1010000	1.6000
17	0010001	0.8250	81	1010001	1.6500
18	0010010	0.8500	82	1010010	1.7000
19	0010011	0.8750	83	1010011	1.7500
20	0010100	0.9000	84	1010100	1.8000
21	0010101	0.9250	85	1010101	1.8500
22	0010110	0.9500	86	1010110	1.9000
23	0010111	0.9750	87	1010111	1.9500
24	0011000	1.0000	88	1011000	2.0000
25	0011001	1.0250	89	1011001	2.0500
26	0011010	1.0500	90	1011010	2.1000
27	0011011	1.0750	91	1011011	2.1500
28	0011100	1.1000	92	1011100	2.2000
29	0011101	1.1250	93	1011101	2.2500
30	0011110	1.1500	94	1011110	2.3000
31	0011111	1.1750	95	1011111	2.3500
32	0100000	1.2000	96	1100000	2.4000
33	0100001	1.2250	97	1100001	2.4500
34	0100010	1.2500	98	1100010	2.5000
35	0100011	1.2750	99	1100011	2.5500
36	0100100	1.3000	100	1100100	2.6000
37	0100101	1.3250	101	1100101	2.6500
38	0100110	1.3500	102	1100110	2.7000
39	0100111	1.3750	103	1100111	2.7500
40	0101000	1.4000	104	1101000	2.8000
41	0101001	1.4250	105	1101001	2.8500
42	0101010	1.4500	106	1101010	2.9000
43	0101011	1.4750	107	1101011	2.9500
44	0101100	1.5000	108	1101100	3.0000
45	0101101	1.5250	109	1101101	3.0500
46	0101110	1.5500	110	1101110	3.1000
47	0101111	1.5750	111	1101111	3.1500

Table 54. SW2 Output Voltage Configuration

Low Output Voltage Range ⁽³⁵⁾			High Output Voltage Range		
Set Point	SW2[6:0]	SW2 Output	Set Point	SW2[6:0]	SW2 Output
48	0110000	1.6000	112	1110000	3.2000
49	0110001	1.6250	113	1110001	3.2500
50	0110010	1.6500	114	1110010	3.3000
51	0110011	1.6750	115	1110011	Reserved
52	0110100	1.7000	116	1110100	Reserved
53	0110101	1.7250	117	1110101	Reserved
54	0110110	1.7500	118	1110110	Reserved
55	0110111	1.7750	119	1110111	Reserved
56	0111000	1.8000	120	1111000	Reserved
57	0111001	1.8250	121	1111001	Reserved
58	0111010	1.8500	122	1111010	Reserved
59	0111011	1.8750	123	1111011	Reserved
60	0111100	1.9000	124	1111100	Reserved
61	0111101	1.9250	125	1111101	Reserved
62	0111110	1.9500	126	1111110	Reserved
63	0111111	1.9750	127	1111111	Reserved

Notes

35. For voltages less than 2.0 V, only use set points 0 to 63.

Setup and control of SW2 is done through I²C registers listed in [Table 55](#), and a detailed description of each one of the registers is provided in [Tables 56](#) to [Table 60](#).

Table 55. SW2 Register Summary

Register	Address	Description
SW2VOLT	0x35	Output voltage set point on normal operation
SW2STBY	0x36	Output voltage set point on Standby
SW2OFF	0x37	Output voltage set point on Sleep
SW2MODE	0x38	Switching Mode selector register
SW2CONF	0x39	DVS, Phase, Frequency, and ILIM configuration

Table 56. Register SW2VOLT - ADDR 0x35

Name	Bit #	R/W	Default	Description
SW2	5:0	R/W	0x00	Sets the SW2 output voltage during normal operation mode. See Table 54 for all possible configurations.
SW2	6	R	0x00	Sets the operating output voltage range for SW2. Set during OTP or TBB configuration only. See Table 54 for all possible configurations.
UNUSED	7	–	0x00	UNUSED

Table 57. Register SW2STBY - ADDR 0x36

Name	Bit #	R/W	Default	Description
SW2STBY	5:0	R/W	0x00	Sets the SW2 output voltage during Standby mode. See Table 54 for all possible configurations.
SW2STBY	6	R	0x00	Sets the operating output voltage range for SW2 on Standby mode. This bit inherits the value configured on bit SW2[6] during OTP or TBB configuration. See Table 54 for all possible configurations.
UNUSED	7	–	0x00	UNUSED

Table 58. Register SW2OFF - ADDR 0x37

Name	Bit #	R/W	Default	Description
SW2OFF	5:0	R/W	0x00	Sets the SW2 output voltage during Sleep mode. See Table 54 for all possible configurations.
SW2OFF	6	R	0x00	Sets the operating output voltage range for SW2 on Sleep mode. This bit inherits the value configured on bit SW2[6] during OTP or TBB configuration. See Table 54 for all possible configurations.
UNUSED	7	–	0x00	UNUSED

Table 59. Register SW2MODE - ADDR 0x38

Name	Bit #	R/W	Default	Description
SW2MODE	3:0	R/W	0x80	Sets the SW2 switching operation mode. See Table 29 for all possible configurations.
UNUSED	4	–	0x00	UNUSED
SW2OMODE	5	R/W	0x00	Set status of SW2 when in Sleep mode 0 = OFF 1 = PFM
UNUSED	7:6	–	0x00	UNUSED

Table 60. Register SW2CONF - ADDR 0x39

Name	Bit #	R/W	Default	Description
SW2ILIM	0	R/W	0x00	SW2 current limit level selection 0 = High level current limit 1 = Low level current limit
UNUSED	1	R/W	0x00	Unused
SW2FREQ	3:2	R/W	0x00	SW2 switching frequency selector. See Table 37 .
SW2PHASE	5:4	R/W	0x00	SW2 Phase clock selection. See Table 35 .
SW2DVSSPEED	7:6	R/W	0x00	SW2 DVS speed selection. See Table 34 .

SW2 External Components

Table 61. SW2 External Component Recommendations

Components	Description	Values
$C_{INSW2}^{(36)}$	SW2 Input capacitor	4.7 μ F
$C_{IN2HF}^{(36)}$	SW2 Decoupling input capacitor	0.1 μ F
$C_{OSW2}^{(36)}$	SW2 Output capacitor	2 x 22 μ F
L_{SW2}	SW2 Inductor	1.0 μ H DCR = 50 m Ω I_{SAT} = 2.65 A
Notes 36. Use X5R or X7R capacitors.		

SW2 Specifications

Table 62. SW2 Electrical Characteristics

All parameters are specified at $T_A = -40$ to 85 °C, $V_{IN} = V_{INSW2} = 3.6$ V, $V_{SW2} = 3.15$ V, $I_{SW2} = 100$ mA, SW2_PWRSTG[2:0] = [111], typical external component values, $f_{SW2} = 2.0$ MHz, unless otherwise noted. Typical values are characterized at $V_{IN} = V_{INSW2} = 3.6$ V, $V_{SW2} = 3.15$ V, $I_{SW2} = 100$ mA, SW2_PWRSTG[2:0] = [111], and 25 °C, unless otherwise noted.

Parameter	Symbol	Min	Typ	Max	Unit
SWITCH MODE SUPPLY SW2					
Operating Input Voltage ⁽³⁷⁾	V_{INSW2}	2.8	–	4.5	V
Nominal Output Voltage	V_{SW2}	–	Table 54	–	V
Output Voltage Accuracy <ul style="list-style-type: none"> PWM, APS, 2.8 V < V_{IN} < 4.5 V, $0 < I_{SW2} < 2.0$ A 0.4 V < $V_{SW2} < 0.85$ V 0.875 V < $V_{SW2} < 1.975$ V 2.0 V < $V_{SW2} < 3.3$ V PFM, 2.8 V < V_{IN} < 4.5 V, $0 < I_{SW2} \leq 50$ mA 0.4 V < $V_{SW2} < 0.85$ V 0.875 V < $V_{SW2} < 1.975$ V 2.0 V < $V_{SW2} < 3.3$ V 	V_{SW2ACC}	-25 -3.0% -6.0%	– – –	25 3.0% 6.0%	mV %
Rated Output Load Current ⁽³⁸⁾ 2.8 V < V_{IN} < 4.5 V, 0.4 V < $V_{SW2} < 3.3$ V	I_{SW2}	–	–	2000	mA
Current Limiter Peak Current Detection <ul style="list-style-type: none"> Current through Inductor SW2ILIM = 0 SW2ILIM = 1 	I_{SW2LIM}	2.8 2.1	4.0 3.0	5.2 3.9	A
Start-up Overshoot $I_{SW2} = 0.0$ mA DVS clk = 25 mV/4 μ s, $V_{IN} = V_{INSW2} = 4.5$ V	V_{SW2OSH}	–	–	66	mV
Turn-on Time Enable to 90% of end value $I_{SW2} = 0.0$ mA DVS clk = 50 mV/8 μ s, $V_{IN} = V_{INSW2} = 4.5$ V	t_{ONSW2}	–	–	550	μ s
Switching Frequency SW2FREQ[1:0] = 00 SW2FREQ[1:0] = 01 SW2FREQ[1:0] = 10	f_{SW2}	– – –	1.0 2.0 4.0	– – –	MHz

Table 62. SW2 Electrical Characteristics

All parameters are specified at $T_A = -40$ to 85 °C, $V_{IN} = V_{IN_{SW2}} = 3.6$ V, $V_{SW2} = 3.15$ V, $I_{SW2} = 100$ mA, $SW2_PWRSTG[2:0] = [111]$, typical external component values, $f_{SW2} = 2.0$ MHz, unless otherwise noted. Typical values are characterized at $V_{IN} = V_{IN_{SW2}} = 3.6$ V, $V_{SW2} = 3.15$ V, $I_{SW2} = 100$ mA, $SW2_PWRSTG[2:0] = [111]$, and 25 °C, unless otherwise noted.

Parameter	Symbol	Min	Typ	Max	Unit
SWITCH MODE SUPPLY SW2 (CONTINUED)					
Efficiency • $V_{IN} = 3.6$ V, $f_{SW2} = 2.0$ MHz, $L_{SW2} = 1.0$ μ H PFM, 3.15 V, 1.0 mA PFM, 3.15 V, 50 mA APS, PWM, 3.15 V, 400 mA APS, PWM, 3.15 V, 600 mA APS, PWM, 3.15 V, 1000 mA APS, PWM, 3.15 V, 2000 mA	η_{SW2}	–	94 95 96 94 92 86	–	%
Output Ripple	ΔV_{SW2}	–	10	–	mV
Line Regulation (APS, PWM)	V_{SW2LIR}	–	–	20	mV
DC Load Regulation (APS, PWM)	V_{SW2LOR}	–	–	20	mV
Transient Load Regulation • Transient load = 0.0 mA to 1.0 A, $di/dt = 100$ mA/ μ s Overshoot Undershoot	$V_{SW2LOTR}$	–	–	50 50	mV
Quiescent Current PFM Mode APS Mode (Low output voltage settings) APS Mode (High output voltage settings)	I_{SW2Q}	–	23 145 305	–	μ A
SW2 P-MOSFET R_{DSON} at $V_{IN} = V_{IN_{SW2}} = 3.3$ V	$R_{ON_{SW2P}}$	–	190	209	m Ω
SW2 N-MOSFET R_{DSON} at $V_{IN} = V_{IN_{SW2}} = 3.3$ V	$R_{ON_{SW2N}}$	–	212	255	m Ω
SW2 P-MOSFET Leakage Current $V_{IN} = V_{IN_{SW2}} = 4.5$ V	I_{SW2PQ}	–	–	12	μ A
SW2 N-MOSFET Leakage Current $V_{IN} = V_{IN_{SW2}} = 4.5$ V	I_{SW2NQ}	–	–	4.0	μ A
Discharge Resistance	R_{SW2DIS}	–	600	–	Ω

Notes

37. When output is set to > 2.6 V the output will follow the input down when V_{IN} gets near 2.8 V.
38. The higher output voltages available depend on the voltage drop in the conduction path as given by the following equation:
 $(V_{IN_{SW2}} - V_{SW2}) = I_{SW2} * (DCR \text{ of Inductor} + R_{ON_{SW2P}} + \text{PCB trace resistance})$.

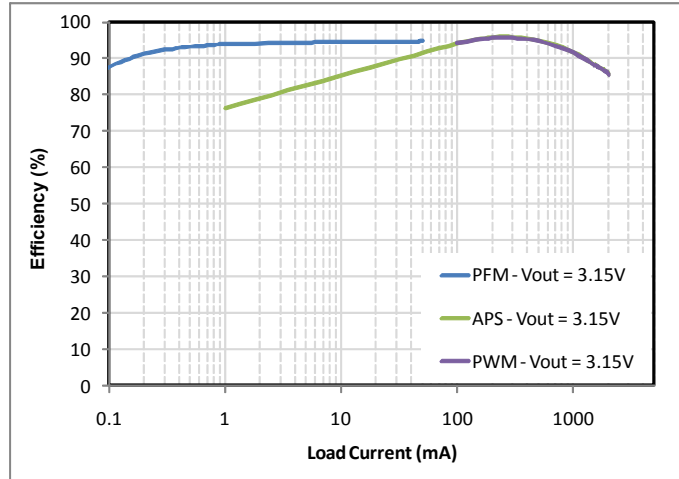


Figure 15. SW2 Efficiency Waveforms

7.4.4.5 SW3A/B

SW3A/B are 1.25 to 2.5 A rated buck regulators, depending on the configuration. [Table 29](#) describes the available switching modes and [Table 30](#) show the actual configuration options for the SW3xMODE[3:0] bits.

SW3A/B can be configured in various phasing schemes, depending on the desired cost/performance trade-offs. The following configurations are available:

- A single phase
- A dual phase
- Independent regulators

The desired configuration is programmed in OTP by using the SW3_CONFIG[1:0] bits. [Table 63](#) shows the options for the SW3CFG[1:0] bits.

Table 63. SW3 Configuration

SW3_CONFIG[1:0]	Description
00	A/B Single Phase
01	A/B Single Phase
10	A/B Dual Phase
11	A/B Independent

SW3A/B Single Phase

In this configuration, SW3ALX and SW3BLX are connected in single phase with a single inductor a shown in [Figure 16](#). This configuration reduces cost and component count. Feedback is taken from the SW3AFB pin and the SW3BFB pin must be left open. Although control is from SW3A, registers of both regulators, SW3A and SW3B, must be identically set.

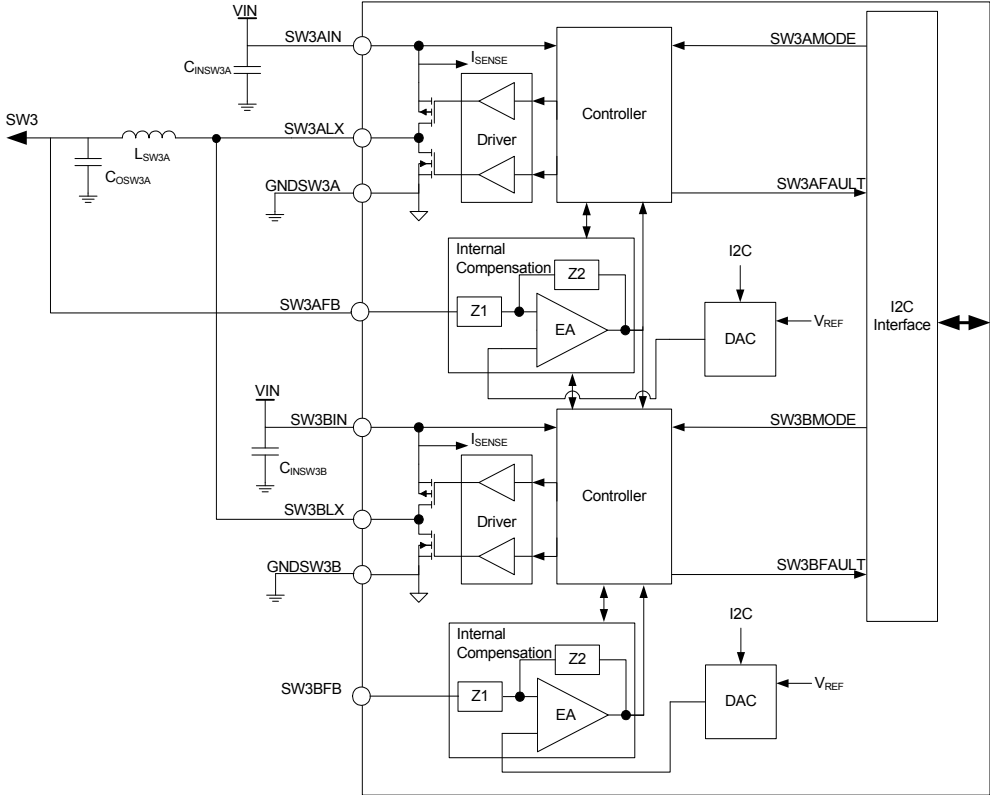


Figure 16. SW3A/B Single Phase Block Diagram

SW3A/B Dual Phase

SW3A/B can be connected in dual phase configuration using one inductor per switching node, as shown in [Figure 17](#). This mode allows a smaller output voltage ripple. Feedback is taken from pin SW3AFB and pin SW3BFB must be left open. Although control is from SW3A, registers of both regulators, SW3A and SW3B, must be identically set. In this configuration, the regulators switch 180 degrees apart.

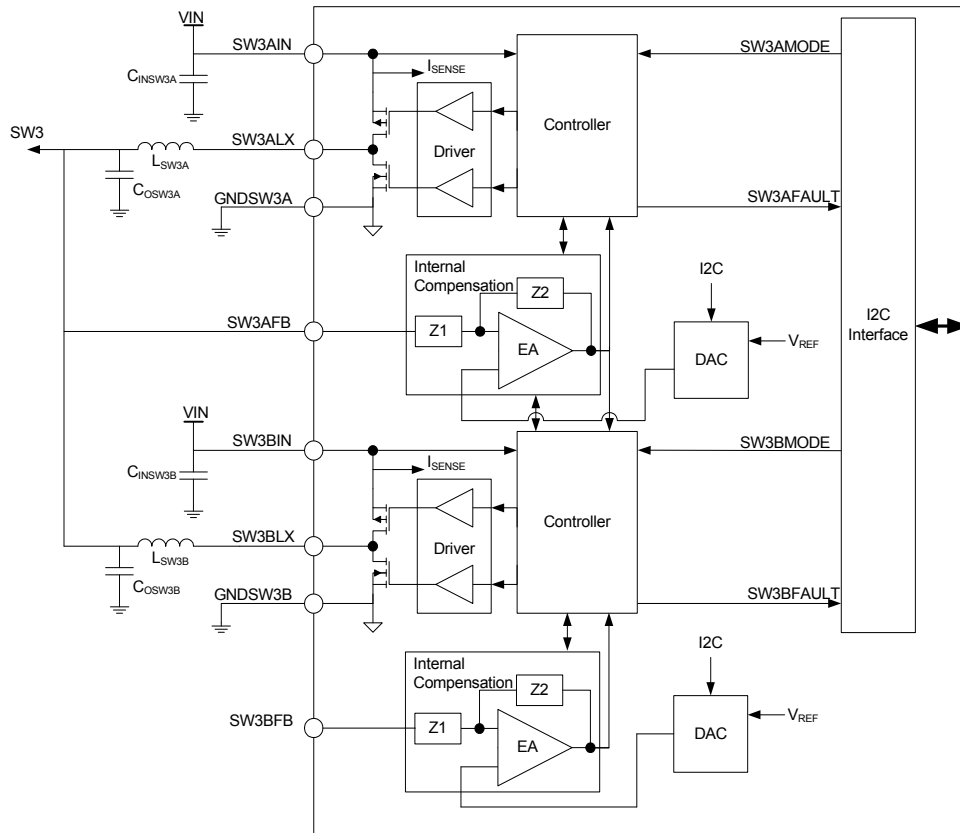


Figure 17. SW3A/B Dual Phase Block Diagram

SW3A - SW3B Independent Outputs

SW3A and SW3B can be configured as independent outputs as shown in [Figure 18](#), providing flexibility for applications requiring more voltage rails with less current capability. Each output is configured and controlled independently by its respective I²C registers as shown in [Table 65](#).

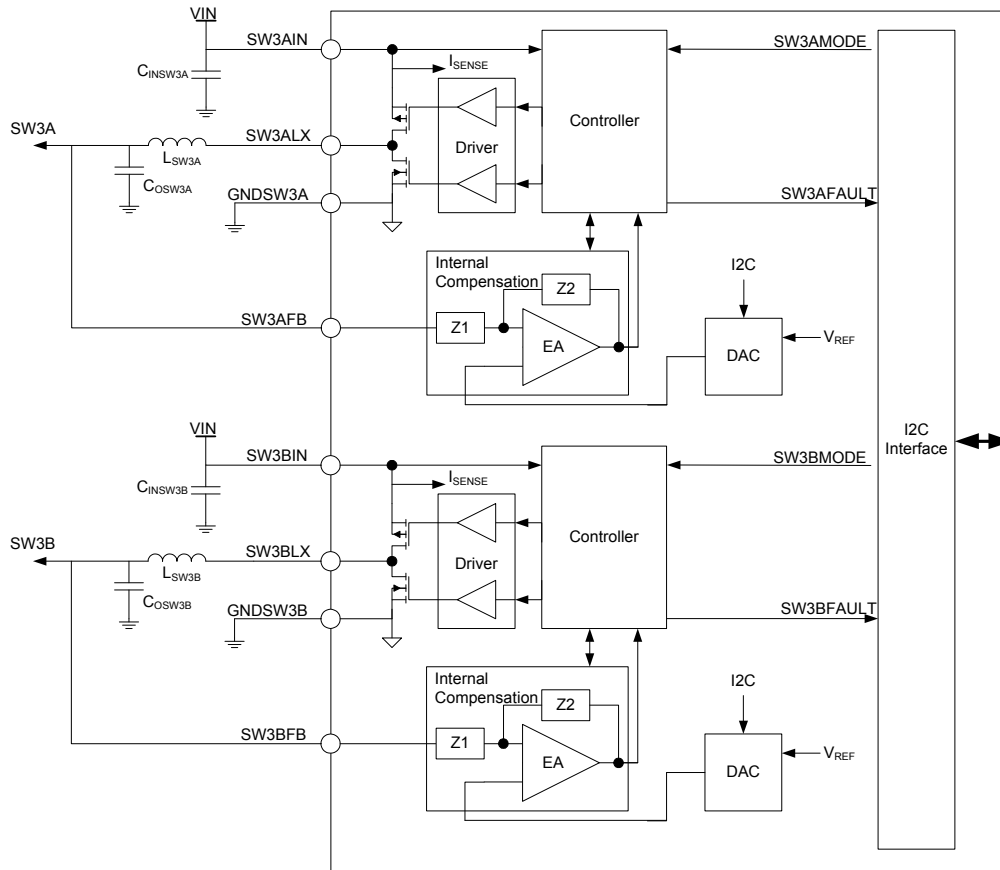


Figure 18. SW3A/B Independent Output Block Diagram

SW3A/B Setup and Control Registers

SW3A/B output voltage is programmable from 0.400 to 3.300 V; however, bit SW3x[6] in register SW3xVOLT is read-only during normal operation. Its value is determined by the default configuration, or may be changed by using the OTP registers. Therefore, once SW3x[6] is set to "0", the output will be limited to the lower output voltages from 0.40 to 1.975 V with 25 mV increments, as determined by bits SW3x[5:0]. Likewise, once bit SW3x[6] is set to "1", the output voltage will be limited to the higher output voltage range from 0.800 to 3.300 V with 50 mV increments, as determined by bits SW3x[5:0].

In order to optimize the performance of the regulator, it is recommended that only voltages from 2.00 to 3.300 V be used in the high range and that the lower range be used for voltages from 0.400 to 1.975 V.

The output voltage set point is independently programmed for Normal, Standby, and Sleep mode by setting the SW3x[5:0], SW3xSTBY[5:0], and SW3xOFF[5:0] bits respectively; however, the initial state of the SW3x[6] bit will be copied into the SW3xSTBY[6] and SW3xOFF[6] bits. Therefore, the output voltage range will remain the same on all three operating modes. [Table 64](#) shows the output voltage coding valid for SW3x.

Table 64. SW3A/B Output Voltage Configuration

Low Output Voltage Range ⁽³⁹⁾			High Output Voltage Range		
Set Point	SW3x[6:0]	SW3x Output	Set Point	SW3x[6:0]	SW3xOutput
0	0000000	0.4000	64	1000000	0.8000
1	0000001	0.4250	65	1000001	0.8500
2	0000010	0.4500	66	1000010	0.9000
3	0000011	0.4750	67	1000011	0.9500
4	0000100	0.5000	68	1000100	1.0000
5	0000101	0.5250	69	1000101	1.0500
6	0000110	0.5500	70	1000110	1.1000
7	0000111	0.5750	71	1000111	1.1500
8	0001000	0.6000	72	1001000	1.2000
9	0001001	0.6250	73	1001001	1.2500
10	0001010	0.6500	74	1001010	1.3000
11	0001011	0.6750	75	1001011	1.3500
12	0001100	0.7000	76	1001100	1.4000
13	0001101	0.7250	77	1001101	1.4500
14	0001110	0.7500	78	1001110	1.5000
15	0001111	0.7750	79	1001111	1.5500
16	0010000	0.8000	80	1010000	1.6000
17	0010001	0.8250	81	1010001	1.6500
18	0010010	0.8500	82	1010010	1.7000
19	0010011	0.8750	83	1010011	1.7500
20	0010100	0.9000	84	1010100	1.8000
21	0010101	0.9250	85	1010101	1.8500
22	0010110	0.9500	86	1010110	1.9000
23	0010111	0.9750	87	1010111	1.9500
24	0011000	1.0000	88	1011000	2.0000
25	0011001	1.0250	89	1011001	2.0500
26	0011010	1.0500	90	1011010	2.1000
27	0011011	1.0750	91	1011011	2.1500
28	0011100	1.1000	92	1011100	2.2000
29	0011101	1.1250	93	1011101	2.2500
30	0011110	1.1500	94	1011110	2.3000
31	0011111	1.1750	95	1011111	2.3500
32	0100000	1.2000	96	1100000	2.4000
33	0100001	1.2250	97	1100001	2.4500
34	0100010	1.2500	98	1100010	2.5000
35	0100011	1.2750	99	1100011	2.5500

Table 64. SW3A/B Output Voltage Configuration

Low Output Voltage Range ⁽³⁹⁾			High Output Voltage Range		
Set Point	SW3x[6:0]	SW3x Output	Set Point	SW3x[6:0]	SW3xOutput
36	0100100	1.3000	100	1100100	2.6000
37	0100101	1.3250	101	1100101	2.6500
38	0100110	1.3500	102	1100110	2.7000
39	0100111	1.3750	103	1100111	2.7500
40	0101000	1.4000	104	1101000	2.8000
41	0101001	1.4250	105	1101001	2.8500
42	0101010	1.4500	106	1101010	2.9000
43	0101011	1.4750	107	1101011	2.9500
44	0101100	1.5000	108	1101100	3.0000
45	0101101	1.5250	109	1101101	3.0500
46	0101110	1.5500	110	1101110	3.1000
47	0101111	1.5750	111	1101111	3.1500
48	0110000	1.6000	112	1110000	3.2000
49	0110001	1.6250	113	1110001	3.2500
50	0110010	1.6500	114	1110010	3.3000
51	0110011	1.6750	115	1110011	Reserved
52	0110100	1.7000	116	1110100	Reserved
53	0110101	1.7250	117	1110101	Reserved
54	0110110	1.7500	118	1110110	Reserved
55	0110111	1.7750	119	1110111	Reserved
56	0111000	1.8000	120	1111000	Reserved
57	0111001	1.8250	121	1111001	Reserved
58	0111010	1.8500	122	1111010	Reserved
59	0111011	1.8750	123	1111011	Reserved
60	0111100	1.9000	124	1111100	Reserved
61	0111101	1.9250	125	1111101	Reserved
62	0111110	1.9500	126	1111110	Reserved
63	0111111	1.9750	127	1111111	Reserved

Notes

39. For voltages less than 2.0 V, only use set points 0 to 63.

[Table 65](#) provides a list of registers used to configure and operate SW3A/B. A detailed description on each of these register is provided on [Tables 66](#) through [Table 75](#).

Table 65. SW3AB Register Summary

Register	Address	Output
SW3AVOLT	0x3C	SW3A Output voltage set point on normal operation
SW3ASTBY	0x3D	SW3A Output voltage set point on Standby
SW3AOFF	0x3E	SW3A Output voltage set point on Sleep
SW3AMODE	0x3F	SW3A Switching mode selector register
SW3ACONF	0x40	SW3A DVS, phase, frequency and ILIM configuration
SW3BVOLT	0x43	SW3B Output voltage set point on normal operation
SW3BSTBY	0x44	SW3B Output voltage set point on Standby
SW3BOFF	0x45	SW3B Output voltage set point on Sleep
SW3BMODE	0x46	SW3B Switching mode selector register
SW3BCONF	0x47	SW3B DVS, phase, frequency and ILIM configuration

Table 66. Register SW3AVOLT - ADDR 0x3C

Name	Bit #	R/W	Default	Description
SW3A	5:0	R/W	0x00	Sets the SW3A output voltage (Independent) or SW3A/B output voltage (Single/Dual phase), during normal operation mode. See Table 64 for all possible configurations.
SW3A	6	R	0x00	Sets the operating output voltage range for SW3A (Independent) or SW3A/B (Single/Dual phase). Set during OTP or TBB configuration only. See Table 64 for all possible configurations.
UNUSED	7	–	0x00	UNUSED

Table 67. Register SW3ASTBY - ADDR 0x3D

Name	Bit #	R/W	Default	Description
SW3ASTBY	5:0	R/W	0x00	Sets the SW3A output voltage (Independent) or SW3A/B output voltage (Single/Dual phase), during Standby mode. See Table 64 for all possible configurations.
SW3ASTBY	6	R	0x00	Sets the operating output voltage range for SW3A (Independent) or SW3A/B (Single/Dual phase) on Standby mode. This bit inherits the value configured on bit SW3A[6] during OTP or TBB configuration. See Table 64 for all possible configurations.
UNUSED	7	–	0x00	UNUSED

Table 68. Register SW3AOFF - ADDR 0x3E

Name	Bit #	R/W	Default	Description
SW3AOFF	5:0	R/W	0x00	Sets the SW3A output voltage (Independent) or SW3A/B output voltage (Single/Dual phase), during Sleep mode. See Table 64 for all possible configurations.
SW3AOFF	6	R	0x00	Sets the operating output voltage range for SW3A (Independent) or SW3A/B (Single/Dual phase) on Sleep mode. This bit inherits the value configured on bit SW3A[6] during OTP or TBB configuration. See Table 64 for all possible configurations.
UNUSED	7	–	0x00	UNUSED

Table 69. Register SW3AMODE - ADDR 0x3F

Name	Bit #	R/W	Default	Description
SW3AMODE	3:0	R/W	0x80	Sets the SW3A (Independent) or SW3A/B (Single/Dual phase) switching operation mode. See Table 29 for all possible configurations.
UNUSED	4	–	0x00	UNUSED
SW3AOMODE	5	R/W	0x00	Set status of SW3A (Independent) or SW3A/B (Single/Dual phase) when in Sleep mode. 0 = OFF 1 = PFM
UNUSED	7:6	–	0x00	UNUSED

Table 70. Register SW3ACONF - ADDR 0x40

Name	Bit #	R/W	Default	Description
SW3AILIM	0	R/W	0x00	SW3A current limit level selection 0 = High level current limit 1 = Low level current limit
UNUSED	1	R/W	0x00	Unused
SW3AFREQ	3:2	R/W	0x00	SW3A switching frequency selector. See Table 37 .
SW3APHASE	5:4	R/W	0x00	SW3A Phase clock selection. See Table 35 .
SW3ADVSSPEED	7:6	R/W	0x00	SW3A DVS speed selection. See Table 34 .

Table 71. Register SW3BVOLT - ADDR 0x43

Name	Bit #	R/W	Default	Description
SW3B	5:0	R/W	0x00	Sets the SW3B output voltage (Independent) during normal operation mode. See Table 64 for all possible configurations.
SW3B	6	R	0x00	Sets the operating output voltage range for SW3B (Independent). Set during OTP or TBB configuration only. See Table 64 for all possible configurations.
UNUSED	7	–	0x00	UNUSED

Table 72. Register SW3BSTBY - ADDR 0x44

Name	Bit #	R/W	Default	Description
SW3BSTBY	5:0	R/W	0x00	Sets the SW3B output voltage (Independent) during Standby mode. See Table 64 for all possible configurations.
SW3BSTBY	6	R	0x00	Sets the operating output voltage range for SW3B (Independent) on Standby mode. This bit inherits the value configured on bit SW3B[6] during OTP or TBB configuration. See Table 64 for all possible configurations.
UNUSED	7	–	0x00	UNUSED

Table 73. Register SW3BOFF - ADDR 0x45

Name	Bit #	R/W	Default	Description
SW3BOFF	5:0	R/W	0x00	Sets the SW3B output voltage (Independent) during Sleep mode. See Table 64 for all possible configurations.
SW3BOFF	6	R	0x00	Sets the operating output voltage range for SW3B (Independent) on Sleep mode. This bit inherits the value configured on bit SW3B[6] during OTP or TBB configuration. See Table 64 for all possible configurations.
UNUSED	7	–	0x00	UNUSED

Table 74. Register SW3BMODE - ADDR 0x46

Name	Bit #	R/W	Default	Description
SW3BMODE	3:0	R/W	0x80	Sets the SW3B (Independent) switching operation mode. See Table 29 for all possible configurations.
UNUSED	4	–	0x00	UNUSED
SW3BOMODE	5	R/W	0x00	Set status of SW3B (Independent) when in Sleep mode. 0 = OFF 1 = PFM
UNUSED	7:6	–	0x00	UNUSED

Table 75. Register SW3BCONF - ADDR 0x47

Name	Bit #	R/W	Default	Description
SW3BILIM	0	R/W	0x00	SW3B current limit level selection 0 = High level Current limit 1 = Low level Current limit
UNUSED	1	R/W	0x00	Unused
SW3BFREQ	3:2	R/W	0x00	SW3B switching frequency selector. See Table 37 .
SW3BPHASE	5:4	R/W	0x00	SW3B Phase clock selection. See Table 35 .
SW3BDVSSPEED	7:6	R/W	0x00	SW3B DVS speed selection. See Table 34 .

SW3A/B External Components

Table 76. SW3A/B External Component Requirements

Components	Description	Mode		
		SW3A/B Single Phase	SW3A/B Dual Phase	SW3A Independent SW3B Independent
C_{INSW3A} ⁽⁴⁰⁾	SW3A Input capacitor	4.7 μ F	4.7 μ F	4.7 μ F
C_{IN3AHF} ⁽⁴⁰⁾	SW3A Decoupling input capacitor	0.1 μ F	0.1 μ F	0.1 μ F
C_{INSW3B} ⁽⁴⁰⁾	SW3B Input capacitor	4.7 μ F	4.7 μ F	4.7 μ F
C_{IN3BHF} ⁽⁴⁰⁾	SW3B Decoupling input capacitor	0.1 μ F	0.1 μ F	0.1 μ F
C_{OSW3A} ⁽⁴⁰⁾	SW3A Output capacitor	4 x 22 μ F	2 x 22 μ F	2 x 22 μ F
C_{OSW3B} ⁽⁴⁰⁾	SW3B Output capacitor	–	2 x 22 μ F	2 x 22 μ F
L_{SW3A}	SW3A Inductor	1.0 μ H DCR = 50 m Ω I_{SAT} = 3.9 A	1.0 μ H DCR = 60 m Ω I_{SAT} = 3.0 A	1.0 μ H DCR = 60 m Ω I_{SAT} = 3.0 A
L_{SW3B}	SW3B Inductor	–	1.0 μ H DCR = 60 m Ω I_{SAT} = 3.0 A	1.0 μ H DCR = 60 m Ω I_{SAT} = 3.0 A
Notes				
40. Use X5R or X7R capacitors.				

SW3A/B Specifications

Table 77. SW3A/B Electrical Characteristics

All parameters are specified at $T_A = -40$ to 85 °C, $V_{IN} = V_{INSW3x} = 3.6$ V, $V_{SW3x} = 1.5$ V, $I_{SW3x} = 100$ mA, $SW3x_PWRSTG[2:0] = [111]$, typical external component values, $f_{SW3x} = 2.0$ MHz, single/dual phase and independent mode unless, otherwise noted. Typical values are characterized at $V_{IN} = V_{INSW3x} = 3.6$ V, $V_{SW3x} = 1.5$ V, $I_{SW3x} = 100$ mA, $SW3x_PWRSTG[2:0] = [111]$, and 25 °C, unless otherwise noted.

Parameter	Symbol	Min	Typ	Max	Unit
SWITCH MODE SUPPLY SW3A/B					
Operating Input Voltage ⁽⁴¹⁾	V_{INSW3x}	2.8	–	4.5	V
Nominal Output Voltage	V_{SW3x}	–	Table 64	–	V
Output Voltage Accuracy	$V_{SW3xACC}$	–25 –3.0% –6.0%	– – –	25 3.0% 6.0%	mV %
• PWM, APS 2.8 V < V_{IN} < 4.5 V, $0 < I_{SW3x} < I_{SW3xMAX}$					
0.4 V < $V_{SW3x} < 0.85$ V					
0.875 V < $V_{SW3x} < 1.975$ V					
2.0 V < $V_{SW3x} < 3.3$ V					
• PFM, steady state (2.8 V < V_{IN} < 4.5 V, $0 < I_{SW3x} < 50$ mA)					
0.4 V < $V_{SW3x} < 0.85$ V	–65	–	65		
0.875 V < $V_{SW3x} < 1.975$ V	–6.0%	–	6.0%		
2.0 V < $V_{SW3x} < 3.3$ V	–6.0%	–	6.0%		
Rated Output Load Current ⁽⁴²⁾	I_{SW3x}	– –	– –	2500 1250	mA
• 2.8 V < V_{IN} < 4.5 V, 0.4 V < $V_{SW3x} < 3.3$ V					
PWM, APS mode single/dual phase					
PWM, APS mode independent (per phase)					

Table 77. SW3A/B Electrical Characteristics

All parameters are specified at $T_A = -40$ to 85 °C, $V_{IN} = VIN_{SW3x} = 3.6$ V, $V_{SW3x} = 1.5$ V, $I_{SW3x} = 100$ mA, $SW3x_PWRSTG[2:0] = [111]$, typical external component values, $f_{SW3x} = 2.0$ MHz, single/dual phase and independent mode unless, otherwise noted. Typical values are characterized at $V_{IN} = VIN_{SW3x} = 3.6$ V, $V_{SW3x} = 1.5$ V, $I_{SW3x} = 100$ mA, $SW3x_PWRSTG[2:0] = [111]$, and 25 °C, unless otherwise noted.

Parameter	Symbol	Min	Typ	Max	Unit
SWITCH MODE SUPPLY SW3A/B (CONTINUED)					
Current Limiter Peak Current Detection • Single phase (Current through inductor) SW3xILIM = 0 SW3xILIM = 1 • Independent mode or Dual phase (Current through inductor per phase) SW3xILIM = 0 SW3xILIM = 1	$I_{SW3xLIM}$	3.5 2.7	5.0 3.8	6.5 4.9	A
Start-up Overshoot $I_{SW3x} = 0.0$ mA DVS clk = 25 mV/4 μ s, $V_{IN} = VIN_{SW3x} = 4.5$ V	$V_{SW3xOSH}$	–	–	66	mV
Turn-on Time Enable to 90% of end value $I_{SW3x} = 0$ mA DVS clk = 25 mV/4 μ s, $V_{IN} = VIN_{SW3x} = 4.5$ V	t_{ONSW3x}	–	–	500	μ s
Switching Frequency SW3xFREQ[1:0] = 00 SW3xFREQ[1:0] = 01 SW3xFREQ[1:0] = 10	f_{SW3x}	– – –	1.0 2.0 4.0	– – –	MHz
Efficiency (Single Phase) • $f_{SW3} = 2.0$ MHz, $L_{SW3x} 1.0$ μ H PFM, 1.5 V, 1.0 mA PFM, 1.5 V, 50 mA APS, PWM 1.5 V, 500 mA APS, PWM 1.5 V, 750 mA APS, PWM 1.5 V, 1250 mA APS, PWM 1.5 V, 2500 mA	η_{SW3AB}	– – – – – –	84 85 85 84 80 74	– – – – – –	%
Output Ripple	ΔV_{SW3x}	–	10	–	mV
Line Regulation (APS, PWM)	$V_{SW3xLIR}$	–	–	20	mV
DC Load Regulation (APS, PWM)	$V_{SW3xLOR}$	–	–	20	mV
Transient Load Regulation • Transient Load = 0.0 mA to $I_{SW3x}/2$, di/dt = 100 mA/ μ s Overshoot Undershoot	$V_{SW3xLOTR}$	– –	– –	50 50	mV
Quiescent Current PFM Mode (Single/Dual Phase) APS Mode (Single/Dual Phase) PFM Mode (Independent mode) APS Mode (SW3A Independent mode) APS Mode (SW3B Independent mode)	I_{SW3xQ}	– – – – –	22 300 50 250 150	– – – – –	μ A
SW3A P-MOSFET $R_{DS(ON)}$ at $V_{IN} = VIN_{SW3A} = 3.3$ V	$R_{ONSW3AP}$	–	215	245	m Ω
SW3A N-MOSFET $R_{DS(ON)}$ at $V_{IN} = VIN_{SW3A} = 3.3$ V	$R_{ONSW3AN}$	–	258	326	m Ω
SW3A P-MOSFET Leakage Current $V_{IN} = VIN_{SW3A} = 4.5$ V	I_{SW3APQ}	–	–	7.5	μ A

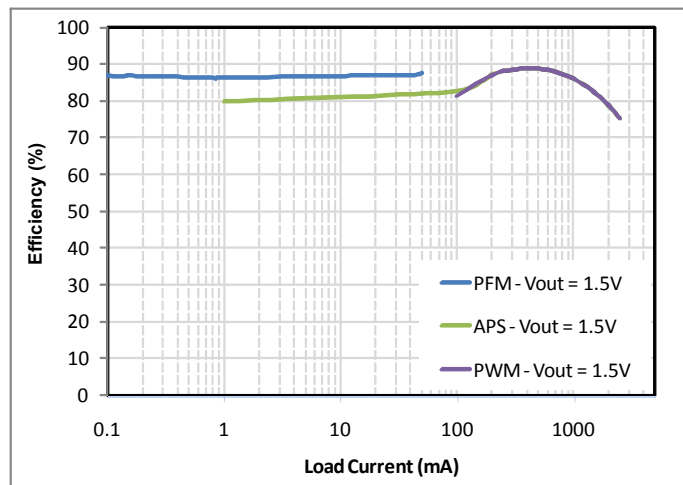
Table 77. SW3A/B Electrical Characteristics

All parameters are specified at $T_A = -40$ to 85 °C, $V_{IN} = V_{IN_{SW3x}} = 3.6$ V, $V_{SW3x} = 1.5$ V, $I_{SW3x} = 100$ mA, $SW3x_PWRSTG[2:0] = [111]$, typical external component values, $f_{SW3x} = 2.0$ MHz, single/dual phase and independent mode unless, otherwise noted. Typical values are characterized at $V_{IN} = V_{IN_{SW3x}} = 3.6$ V, $V_{SW3x} = 1.5$ V, $I_{SW3x} = 100$ mA, $SW3x_PWRSTG[2:0] = [111]$, and 25 °C, unless otherwise noted.

Parameter	Symbol	Min	Typ	Max	Unit
SWITCH MODE SUPPLY SW3A/B (CONTINUED)					
SW3A N-MOSFET Leakage Current $V_{IN} = V_{IN_{SW3A}} = 4.5$ V	I_{SW3ANQ}	–	–	2.5	μ A
SW3B P-MOSFET R_{DSON} at $V_{IN} = V_{IN_{SW3B}} = 3.3$ V	$R_{ONSW3BP}$	–	215	245	m Ω
SW3B N-MOSFET R_{DSON} at $V_{IN} = V_{IN_{SW3B}} = 3.3$ V	$R_{ONSW3BN}$	–	258	326	m Ω
SW3B P-MOSFET Leakage Current $V_{IN} = V_{IN_{SW3B}} = 4.5$ V	I_{SW3BPQ}	–	–	7.5	μ A
SW3B N-MOSFET Leakage Current $V_{IN} = V_{IN_{SW3B}} = 4.5$ V	I_{SW3BPQ}	–	–	2.5	μ A
Discharge Resistance	$R_{SW3xDIS}$	–	600	–	Ω

Notes

- When output is set to > 2.6 V the output will follow the input down when V_{IN} gets near 2.8 V.
- The higher output voltages available depend on the voltage drop in the conduction path as given by the following equation:
 $(V_{IN_{SW3x}} - V_{SW3x}) = I_{SW3x} * (DCR \text{ of Inductor} + R_{ON_{SW3xP}} + PCB \text{ trace resistance})$.


Figure 19. SW3AB Single Phase Efficiency Waveforms

7.4.4.6 SW4

SW4 is a 1.0 A rated single phase buck regulator capable of operating in two modes. In its default mode, it operates as a normal buck regulator with a programmable output between 0.400 and 3.300 V. It is capable of operating in the three available switching modes: PFM, APS, and PWM, described on [Table 29](#) and configured by the $SW4MODE[3:0]$ bits, as shown in [Table 30](#).

If the system requires DDR memory termination, SW4 can be used in its VTT mode. In the VTT mode, its reference voltage will track the output voltage of SW3A, scaled by 0.5. Furthermore, when in VTT mode, only the PWM switching mode is allowed. The VTT mode can be configured by use of VTT bit in the OTP_SW4_CONFIG register.

[Figure 20](#) shows the block diagram and the external component connections for the SW4 regulator.

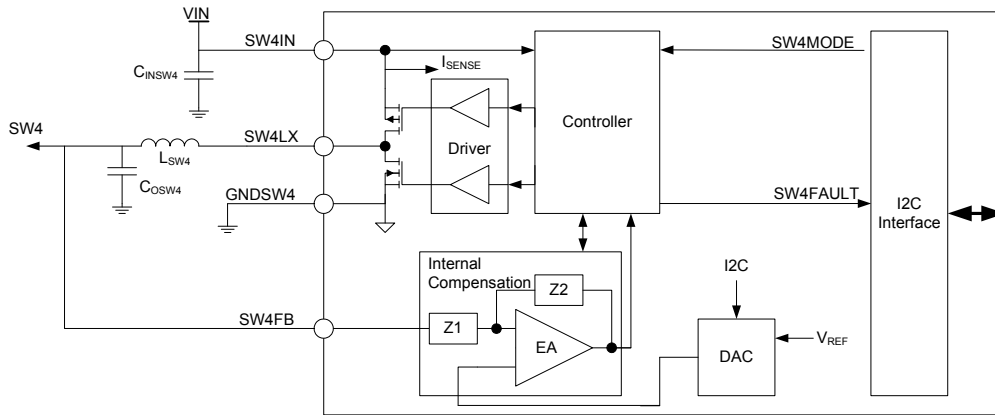


Figure 20. SW4 Block Diagram

SW4 Setup and Control Registers

To set the SW4 in regulator or VTT mode, bit VTT of the register OTP_SW4_CONF register on [Extended Page 1](#), is programmed during OTP or TBB configuration; setting bit VTT to “1” will enable SW4 to operate in VTT mode and “0” in Regulator mode. See [One Time Programmability \(OTP\)](#) for detailed information on OTP configuration.

In Regulator mode, the SW4 output voltage is programmable from 0.400 to 3.300 V; however, bit SW4[6] in the SW4VOLT register is read-only during normal operation. Its value is determined by the default configuration, or may be changed by using the OTP registers. Once SW4[6] is set to “0”, the output will be limited to the lower output voltages, from 0.400 to 1.975 V with 25 mV increments, as determined by the SW4[5:0] bits. Likewise, once the SW4[6] bit is set to “1”, the output voltage will be limited to the higher output voltage range from 0.800 to 3.300 V with 50 mV increments, as determined by the SW4[5:0] bits.

In order to optimize the performance of the regulator, it is recommended that only voltages from 2.000 to 3.300 V be used in the high range and that the lower range be used for voltages from 0.400 to 1.975 V.

The output voltage set point is independently programmed for Normal, Standby, and Sleep mode by setting the SW4[5:0], SW4STBY[5:0], and SW4OFF[5:0] bits, respectively. However, the initial state of the SW4[6] bit will be copied into bits SW4STBY[6], and SW4OFF[6] bits, so the output voltage range will remain the same on all three operating modes. [Table 78](#) shows the output voltage coding valid for SW4.

Table 78. SW4 Output Voltage Configuration

Low Output Voltage Range ⁽⁴³⁾			High Output Voltage Range		
Set Point	SW4[6:0]	SW4 Output	Set Point	SW4[6:0]	SW4 Output
0	0000000	0.4000	64	1000000	0.8000
1	0000001	0.4250	65	1000001	0.8500
2	0000010	0.4500	66	1000010	0.9000
3	0000011	0.4750	67	1000011	0.9500
4	0000100	0.5000	68	1000100	1.0000
5	0000101	0.5250	69	1000101	1.0500
6	0000110	0.5500	70	1000110	1.1000
7	0000111	0.5750	71	1000111	1.1500
8	0001000	0.6000	72	1001000	1.2000
9	0001001	0.6250	73	1001001	1.2500
10	0001010	0.6500	74	1001010	1.3000
11	0001011	0.6750	75	1001011	1.3500
12	0001100	0.7000	76	1001100	1.4000

Table 78. SW4 Output Voltage Configuration

Low Output Voltage Range ⁽⁴³⁾			High Output Voltage Range		
Set Point	SW4[6:0]	SW4 Output	Set Point	SW4[6:0]	SW4 Output
13	0001101	0.7250	77	1001101	1.4500
14	0001110	0.7500	78	1001110	1.5000
15	0001111	0.7750	79	1001111	1.5500
16	0010000	0.8000	80	1010000	1.6000
17	0010001	0.8250	81	1010001	1.6500
18	0010010	0.8500	82	1010010	1.7000
19	0010011	0.8750	83	1010011	1.7500
20	0010100	0.9000	84	1010100	1.8000
21	0010101	0.9250	85	1010101	1.8500
22	0010110	0.9500	86	1010110	1.9000
23	0010111	0.9750	87	1010111	1.9500
24	0011000	1.0000	88	1011000	2.0000
25	0011001	1.0250	89	1011001	2.0500
26	0011010	1.0500	90	1011010	2.1000
27	0011011	1.0750	91	1011011	2.1500
28	0011100	1.1000	92	1011100	2.2000
29	0011101	1.1250	93	1011101	2.2500
30	0011110	1.1500	94	1011110	2.3000
31	0011111	1.1750	95	1011111	2.3500
32	0100000	1.2000	96	1100000	2.4000
33	0100001	1.2250	97	1100001	2.4500
34	0100010	1.2500	98	1100010	2.5000
35	0100011	1.2750	99	1100011	2.5500
36	0100100	1.3000	100	1100100	2.6000
37	0100101	1.3250	101	1100101	2.6500
38	0100110	1.3500	102	1100110	2.7000
39	0100111	1.3750	103	1100111	2.7500
40	0101000	1.4000	104	1101000	2.8000
41	0101001	1.4250	105	1101001	2.8500
42	0101010	1.4500	106	1101010	2.9000
43	0101011	1.4750	107	1101011	2.9500
44	0101100	1.5000	108	1101100	3.0000
45	0101101	1.5250	109	1101101	3.0500
46	0101110	1.5500	110	1101110	3.1000
47	0101111	1.5750	111	1101111	3.1500
48	0110000	1.6000	112	1110000	3.2000
49	0110001	1.6250	113	1110001	3.2500

Table 78. SW4 Output Voltage Configuration

Low Output Voltage Range ⁽⁴³⁾			High Output Voltage Range		
Set Point	SW4[6:0]	SW4 Output	Set Point	SW4[6:0]	SW4 Output
50	0110010	1.6500	114	1110010	3.3000
51	0110011	1.6750	115	1110011	Reserved
52	0110100	1.7000	116	1110100	Reserved
53	0110101	1.7250	117	1110101	Reserved
54	0110110	1.7500	118	1110110	Reserved
55	0110111	1.7750	119	1110111	Reserved
56	0111000	1.8000	120	1111000	Reserved
57	0111001	1.8250	121	1111001	Reserved
58	0111010	1.8500	122	1111010	Reserved
59	0111011	1.8750	123	1111011	Reserved
60	0111100	1.9000	124	1111100	Reserved
61	0111101	1.9250	125	1111101	Reserved
62	0111110	1.9500	126	1111110	Reserved
63	0111111	1.9750	127	1111111	Reserved

Notes

43. For voltages less than 2.0 V, only use set points 0 to 63.

Full setup and control of SW4 is done through the I²C registers listed on [Table 79](#), and a detailed description of each one of the registers is provided in [Tables 80](#) to [Table 84](#).

Table 79. SW4 Register Summary

Register	Address	Description
SW4VOLT	0x4A	Output voltage set point on normal operation
SW4STBY	0x4B	Output voltage set point on Standby
SW4OFF	0x4C	Output voltage set point on Sleep
SW4MODE	0x4D	Switching mode selector register
SW4CONF	0x4E	DVS, phase, frequency and ILIM configuration

Table 80. Register SW4VOLT - ADDR 0x4A

Name	Bit #	R/W	Default	Description
SW4	5:0	R/W	0x00	Sets the SW4 output voltage during normal operation mode. See Table 78 for all possible configurations.
SW4	6	R	0x00	Sets the operating output voltage range for SW4. Set during OTP or TBB configuration only. See Table 78 for all possible configurations.
UNUSED	7	–	0x00	UNUSED

Table 81. Register SW4STBY - ADDR 0x4B

Name	Bit #	R/W	Default	Description
SW4STBY	5:0	R/W	0x00	Sets the SW4 output voltage during Standby mode. See Table 78 for all possible configurations.
SW4STBY	6	R	0x00	Sets the operating output voltage range for SW4 on Standby mode. This bit inherits the value configured on bit SW4[6] during OTP or TBB configuration. See Table 78 for all possible configurations.
UNUSED	7	–	0x00	UNUSED

Table 82. Register SW4OFF - ADDR 0x4C

Name	Bit #	R/W	Default	Description
SW4OFF	5:0	R/W	0x00	Sets the SW4 output voltage during Sleep mode. See Table 78 for all possible configurations.
SW4OFF	6	R	0x00	Sets the operating output voltage range for SW4 on Sleep mode. This bit inherits the value configured on bit SW4[6] during OTP or TBB configuration. See Table 78 for all possible configurations.
UNUSED	7	–	0x00	UNUSED

Table 83. Register SW4MODE - ADDR 0x4D

Name	Bit #	R/W	Default	Description
SW4MODE	3:0	R/W	0x80	Sets the SW4 switching operation mode. See Table 29 for all possible configurations.
UNUSED	4	–	0x00	UNUSED
SW4OMODE	5	R/W	0x00	Set status of SW4 when in Sleep mode 0 = OFF 1 = PFM
UNUSED	7:6	–	0x00	UNUSED

Table 84. Register SW4CONF - ADDR 0x4E

Name	Bit #	R/W	Default	Description
SW4ILIM	0	R/W	0x00	SW4 current limit level selection 0 = High level Current limit 1 = Low level Current limit
UNUSED	1	R/W	0x00	Unused
SW4FREQ	3:2	R/W	0x00	SW4 switching frequency selector. See Table 37 .
SW4PHASE	5:4	R/W	0x00	SW4 Phase clock selection. See Table 35 .
SW4DVSSPEED	7:6	R/W	0x00	SW4 DVS speed selection. See Table 34 .

SW4 External Components

Table 85. SW4 External Component Requirements

Components	Description	Values
C _{INSW4} ⁽⁴⁴⁾	SW4 Input capacitor	4.7 μ F
C _{IN4HF} ⁽⁴⁴⁾	SW4 Decoupling input capacitor	0.1 μ F
C _{OSW4} ⁽⁴⁴⁾	SW4 Output capacitor	2 x 22 μ F
L _{SW4}	SW4 Inductor	1.0 μ H DCR = 60 m Ω I _{SAT} = 3.0 A
Notes 44. Use X5R or X7R capacitors.		

SW4 Specifications

Table 86. SW4 Electrical Characteristics

All parameters are specified at T_A = -40 to 85 °C, V_{IN} = V_{INSW4} = 3.6 V, V_{SW4} = 1.8 V, I_{SW4} = 100 mA, SW4_PWRSTG[2:0] = [101], typical external component values, f_{SW4} = 2.0 MHz, single/dual phase and independent mode unless, otherwise noted. Typical values are characterized at V_{IN} = V_{INSW4} = 3.6 V, V_{SW4} = 1.8 V, I_{SW4} = 100 mA, SW4_PWRSTG[2:0] = [101], and 25 °C, unless otherwise noted.

Parameter	Symbol	Min	Typ	Max	Unit
SWITCH MODE SUPPLY SW4					
Operating Input Voltage ⁽⁴⁵⁾	V _{INSW4}	2.8	–	4.5	V
Nominal Output Voltage Normal operation VTT Mode	V _{SW4}	– –	Table 78 V _{SW3AFB} /2	– –	V
Output Voltage Accuracy • PWM, APS, 2.8 V < V _{IN} < 4.5 V, 0 < I _{SW4} < 1.0 A 0.4 V < V _{SW4} < 0.85 V 0.875 V < V _{SW4} < 1.975 V 2.0 V < V _{SW4} < 3.3 V • PFM, steady state, 2.8 V < V _{IN} < 4.5 V, 0 < I _{SW4} < 50 mA 0.4 V < V _{SW4} < 0.85 V 0.875 V < V _{SW4} < 1.975 V 2.0 V < V _{SW4} < 3.3 V • VTT Mode, 2.8 V < V _{IN} < 4.5 V, 0 < I _{SW4} < 1.0 A	V _{SW4ACC}	–25 –3.0% –6.0% –65 –6.0% –6.0% –40	– – – – – –	25 3.0% 6.0% 65 6.0% 6.0% 40	mV %
Rated Output Load Current ⁽⁴⁶⁾ 2.8 V < V _{IN} < 4.5 V, 0.4 V < V _{SW4} < 3.3 V	I _{SW4}	–	–	1000	mA
Current Limiter Peak Current Detection Current through inductor SW4ILIM = 0 SW4ILIM = 1	I _{SW4LIM}	1.4 1.0	2.0 1.5	3.0 2.4	A
Start-up Overshoot I _{SW4} = 0.0 mA DVS clk = 25 mV/4 μ s, V _{IN} = V _{INSW4} = 4.5 V	V _{SW4OSH}	–	–	66	mV
Turn-on Time Enable to 90% of end value I _{SW4} = 0.0 mA DVS clk = 25 mV/4 μ s, V _{IN} = V _{INSW4} = 4.5 V	t _{ONSW4}	–	–	500	μ s

Table 86. SW4 Electrical Characteristics

All parameters are specified at $T_A = -40$ to 85 °C, $V_{IN} = V_{IN_{SW4}} = 3.6$ V, $V_{SW4} = 1.8$ V, $I_{SW4} = 100$ mA, $SW4_PWRSTG[2:0] = [101]$, typical external component values, $f_{SW4} = 2.0$ MHz, single/dual phase and independent mode unless, otherwise noted. Typical values are characterized at $V_{IN} = V_{IN_{SW4}} = 3.6$ V, $V_{SW4} = 1.8$ V, $I_{SW4} = 100$ mA, $SW4_PWRSTG[2:0] = [101]$, and 25 °C, unless otherwise noted.

Parameter	Symbol	Min	Typ	Max	Unit
SWITCH MODE SUPPLY SW4 (CONTINUED)					
Switching Frequency SW4FREQ[1:0] = 00 SW4FREQ[1:0] = 01 SW4FREQ[1:0] = 10	f_{SW4}	–	1.0 2.0 4.0	–	MHz
Efficiency • $f_{SW4} = 2.0$ MHz, $L_{SW4} = 1.0$ μ H PFM, 1.8 V, 1.0 mA PFM, 1.8 V, 50 mA APS, PWM 1.8 V, 200 mA APS, PWM 1.8 V, 500 mA APS, PWM 1.8 V, 1000 mA PWM 0.75 V, 200 mA PWM 0.75 V, 500 mA PWM 0.75 V, 1000 mA	η_{SW4}	–	81 78 87 88 83 78 76 66	–	%
Output Ripple	ΔV_{SW4}	–	10	–	mV
Line Regulation (APS, PWM)	V_{SW4LIR}	–	–	20	mV
DC Load Regulation (APS, PWM)	V_{SW4LOR}	–	–	20	mV
Transient Load Regulation • Transient Load = 0.0 mA to 500 mA, $di/dt = 100$ mA/ μ s Overshoot Undershoot	$V_{SW4LOTR}$	–	–	50 50	mV
Quiescent Current PFM Mode APS Mode	I_{SW4Q}	–	22 145	–	μ A
SW4 P-MOSFET $R_{DS(on)}$ at $V_{IN} = V_{IN_{SW4}} = 3.3$ V	$R_{ON_{SW4P}}$	–	236	274	m Ω
SW4 N-MOSFET $R_{DS(on)}$ at $V_{IN} = V_{IN_{SW4}} = 3.3$ V	$R_{ON_{SW4N}}$	–	293	378	m Ω
SW4 P-MOSFET Leakage Current $V_{IN} = V_{IN_{SW4}} = 4.5$ V	I_{SW4PQ}	–	–	6.0	μ A
SW4 N-MOSFET Leakage Current $V_{IN} = V_{IN_{SW4}} = 4.5$ V	I_{SW4NQ}	–	–	2.0	μ A
Discharge Resistance	R_{SW4DIS}	–	600	–	Ω

Notes

45. When output is set to > 2.6 V the output will follow the input down when V_{IN} gets near 2.8 V.
46. The higher output voltages available depend on the voltage drop in the conduction path as given by the following equation:
 $(V_{IN_{SW4}} - V_{SW4}) = I_{SW4} * (DCR \text{ of Inductor} + R_{ON_{SW4P}} + \text{PCB trace resistance})$.

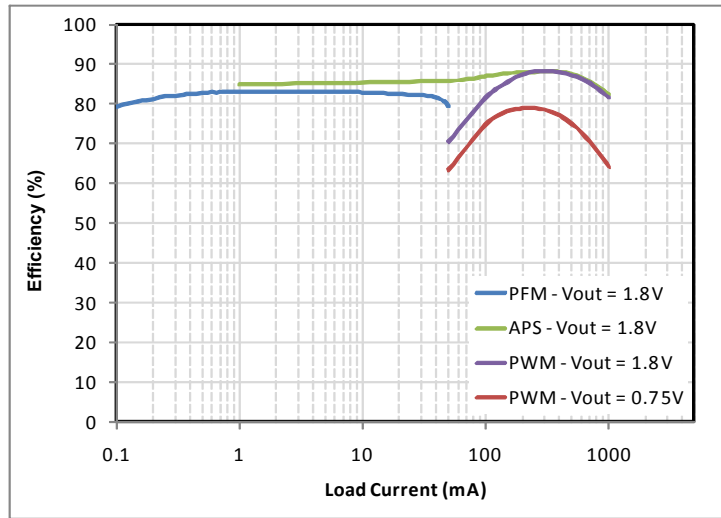


Figure 21. SW4 Efficiency Waveforms

7.4.5 Boost Regulator

SWBST is a boost regulator with a programmable output from 5.0 to 5.15 V. SWBST can supply the VUSB regulator for the USB PHY in OTG mode, as well as the VBUS voltage. Note that the parasitic leakage path for a boost regulator will cause the SWBSTOUT and SWBSTFB voltage to be a Schottky drop below the input voltage whenever SWBST is disabled. The switching NMOS transistor is integrated on-chip. [Figure 22](#) shows the block diagram and component connection for the boost regulator.

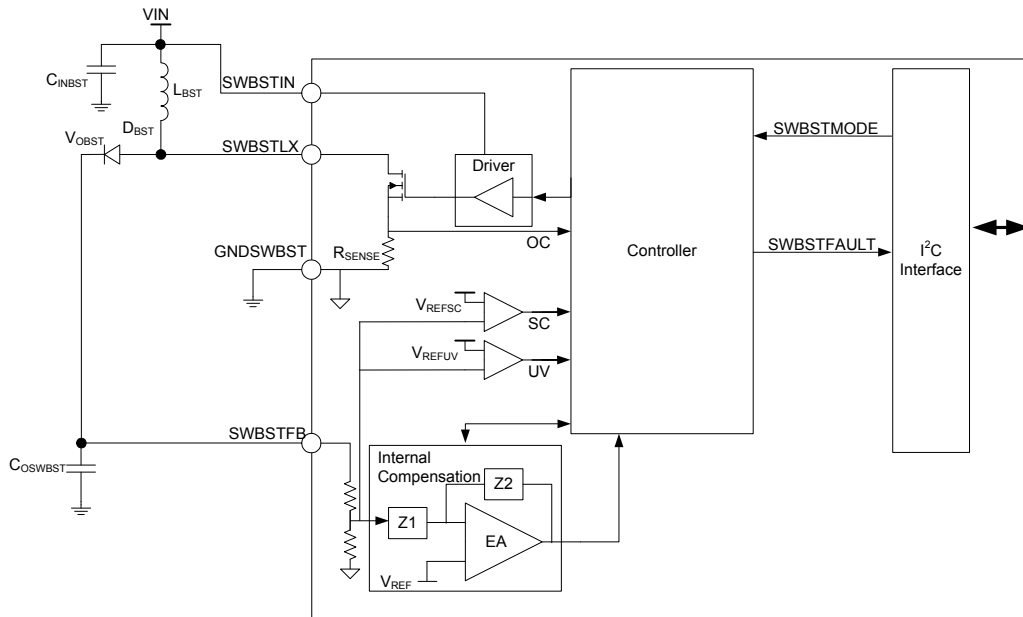


Figure 22. Boost Regulator Architecture

7.4.5.1 SWBST Setup and Control

Boost regulator control is done through a single register SWBSTCTL described in [Table 87](#). SWBST is included in the power-up sequence if its OTP power-up timing bits, SWBST_SEQ[4:0], are not all zeros.

Table 87. Register SWBSTCTL - ADDR 0x66

Name	Bit #	R/W	Default	Description
SWBST1VOLT	1:0	R/W	0x00	Set the output voltage for SWBST 00 = 5.000 V 01 = 5.050 V 10 = 5.100 V 11 = 5.150 V
SWBST1MODE	3:2	R	0x02	Set the Switching mode on Normal operation 00 = OFF 01 = PFM 10 = Auto (Default) ⁽⁴⁷⁾ 11 = APS
UNUSED	4	–	0x00	UNUSED
SWBST1STBYMODE	6:5	R/W	0x02	Set the Switching mode on Standby 00 = OFF 01 = PFM 10 = Auto (Default) ⁽⁴⁷⁾ 11 = APS

Table 87. Register SWBSTCTL - ADDR 0x66

Name	Bit #	R/W	Default	Description
UNUSED	7	–	0x00	UNUSED

Notes

47. In Auto mode, the controller automatically switches between PFM and APS modes depending on the load current.

7.4.5.2 SWBST External Components

Table 88. SWBST External Component Requirements

Components	Description	Values
C_{INBST} ⁽⁴⁸⁾	SWBST input capacitor	10 μ F
$C_{INBSTHF}$ ⁽⁴⁸⁾	SWBST decoupling input capacitor	0.1 μ F
C_{OBST} ⁽⁴⁸⁾	SWBST output capacitor	2 x 22 μ F
L_{SBST}	SWBST inductor	2.2 μ H
D_{BST}	SWBST boost diode	1.0 A, 20 V Schottky
Notes		
48. Use X5R or X7R capacitors.		

7.4.5.3 SWBST Specifications

Table 89. SWBST Electrical Specifications

All parameters are specified at $T_A = -40$ to 85 °C, $V_{IN} = V_{IN_{SWBST}} = 3.6$ V, $V_{SWBST} = 5.0$ V, $I_{SWBST} = 100$ mA, typical external component values, $f_{SWBST} = 2.0$ MHz, otherwise noted. Typical values are characterized at $V_{IN} = V_{IN_{SWBST}} = 3.6$ V, $V_{SWBST} = 5.0$ V, $I_{SWBST} = 100$ mA, and 25 °C, unless otherwise noted.

Parameters	Symbol	Min	Typ	Max	Units
SWITCH MODE SUPPLY SWBST					
Input Voltage Range	$V_{IN_{SWBST}}$	2.8	–	4.5	V
Nominal Output Voltage	V_{SWBST}	–	Table 87	–	V
Output Voltage Accuracy $2.8 \text{ V} \leq V_{IN} \leq 4.5 \text{ V}$ $0 < I_{SWBST} < I_{SWBST_{MAX}}$	$V_{SWBSTACC}$	-4.0	–	3.0	%
Output Ripple $2.8 \text{ V} \leq V_{IN} \leq 4.5 \text{ V}$ $0 < I_{SWBST} < I_{SWBST_{MAX}}$, excluding reverse recovery of Schottky diode	ΔV_{SWBST}	–	–	120	mV Vp-p
DC Load Regulation $0 < I_{SWBST} < I_{SWBST_{MAX}}$	$V_{SWBSTLOR}$	–	0.5	–	mV/ mA
DC Line Regulation $2.8 \text{ V} \leq V_{IN} \leq 4.5 \text{ V}$, $I_{SWBST} = I_{SWBST_{MAX}}$	$V_{SWBSTLIR}$	–	50	–	mV
Continuous Load Current $2.8 \text{ V} \leq V_{IN} \leq 3.0 \text{ V}$ $3.0 \text{ V} \leq V_{IN} \leq 4.5 \text{ V}$	I_{SWBST}	– –	– –	500 600	mA
Quiescent Current AUTO	I_{SWBSTQ}	–	222	289	μ A
MOSFET on Resistance	$R_{DSON_{SBST}}$	–	206	306	m Ω
Peak Current Limit ⁽⁴⁹⁾	$I_{SWBSTLIM}$	1400	2200	3200	mA

Table 89. SWBST Electrical Specifications

All parameters are specified at $T_A = -40$ to 85 °C, $V_{IN} = V_{IN_SWBST} = 3.6$ V, $V_{SWBST} = 5.0$ V, $I_{SWBST} = 100$ mA, typical external component values, $f_{SWBST} = 2.0$ MHz, otherwise noted. Typical values are characterized at $V_{IN} = V_{IN_SWBST} = 3.6$ V, $V_{SWBST} = 5.0$ V, $I_{SWBST} = 100$ mA, and 25 °C, unless otherwise noted.

Parameters	Symbol	Min	Typ	Max	Units
Start-up Overshoot $I_{SWBST} = 0.0$ mA	$V_{SWBSTOSH}$	–	–	500	mV
Transient Load Response I_{SWBST} from 1.0 to 100 mA in 1.0 μ s Maximum transient Amplitude	$V_{SWBSTTR}$	–	–	300	mV
Transient Load Response I_{SWBST} from 100 to 1.0 mA in 1.0 μ s Maximum transient Amplitude	$V_{SWBSTTR}$	–	–	300	mV

SWITCH MODE SUPPLY SWBST (CONTINUED)

Transient Load Response I_{SWBST} from 1.0 to 100 mA in 1.0 μ s Time to settle 80% of transient	$t_{SWBSTTR}$	–	–	500	μ s
Transient Load Response I_{SWBST} from 100 to 1.0 mA in 1.0 μ s Time to settle 80% of transient	$t_{SWBSTTR}$	–	–	20	ms
NMOS Off Leakage $SWBSTIN = 4.5$ V, $SWBSTMODE [1:0] = 00$	$I_{SWBSTHSQ}$	–	1.0	5.0	μ A
Turn-on Time Enable to 90% of V_{SWBST} , $I_{SWBST} = 0.0$ mA	t_{ON_SWBST}	–	–	2.0	ms
Switching Frequency	f_{SWBST}	–	2.0	–	MHz
Efficiency $I_{SWBST} = I_{SWBST_MAX}$	η_{SWBST}	–	86	–	%

Notes

49. Only in Auto mode.

7.4.6 LDO Regulators Description

This section describes the LDO regulators provided by the PF0100. All regulators use the main bandgap as reference. Refer to [Bias and References Block Description](#) section for further information on the internal reference voltages.

A Low Power mode is automatically activated by reducing bias currents when the load current is less than $I_{Lmax}/5$. However, the lowest bias currents may be attained by forcing the part into its Low Power mode by setting the VGENxLPWR bit. The use of this bit is only recommended when the load is expected to be less than $I_{Lmax}/50$, otherwise performance may be degraded.

When a regulator is disabled, the output will be discharged by an internal pull-down. The pull-down is also activated when RESETBMCU is low.

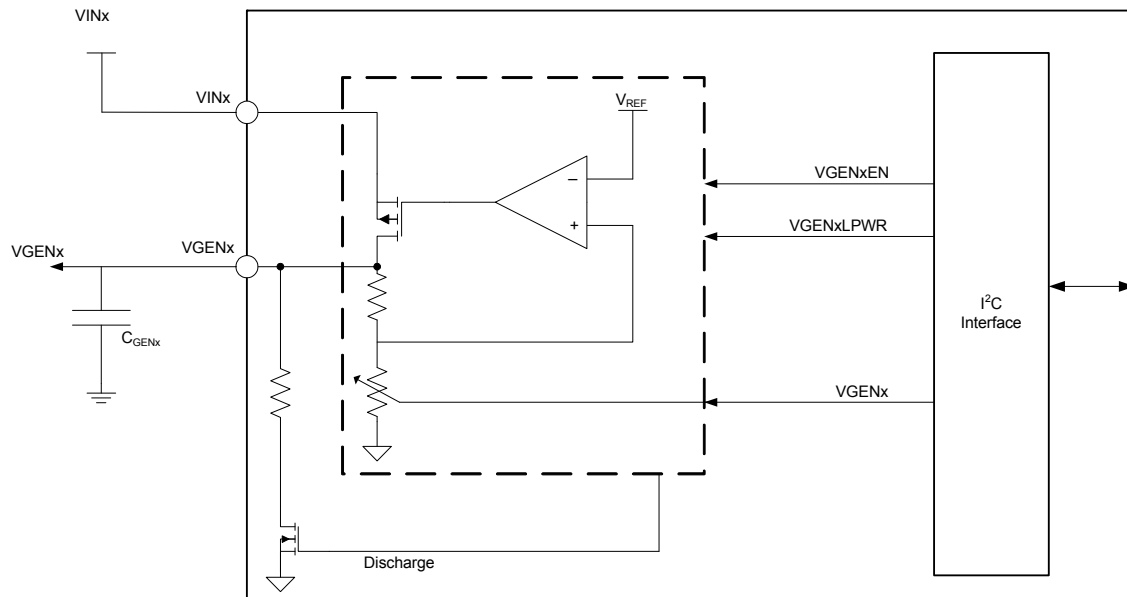


Figure 23. General LDO Block Diagram

7.4.6.1 Transient Response Waveforms

Idealized stimulus and response waveforms for transient line and transient load tests are depicted in [Figure 25](#). Note that the transient line and load response refers to the overshoot, or undershoot only, excluding the DC shift.

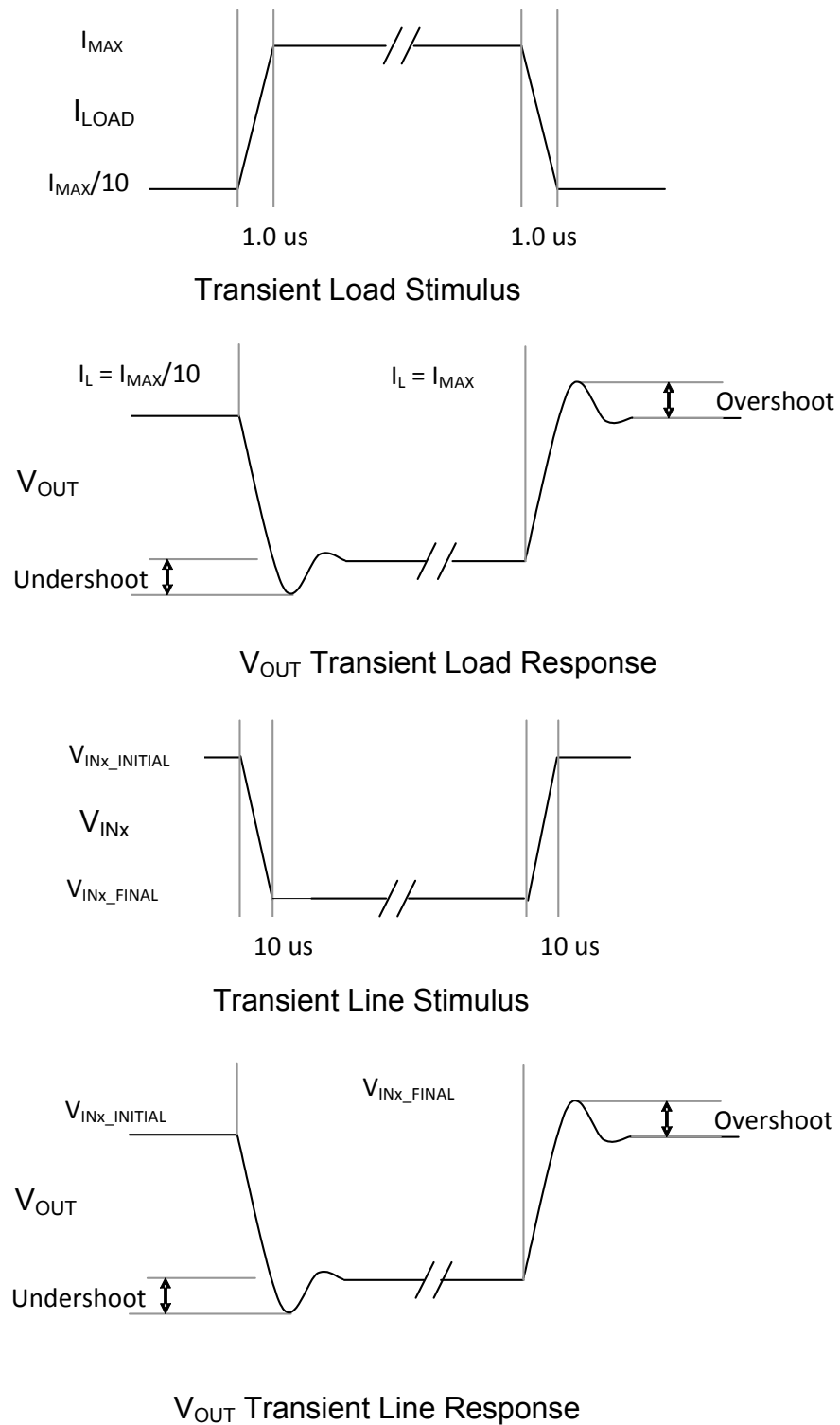


Figure 24. Transient Waveforms

7.4.6.2 Short-circuit Protection

All general purpose LDOs have short-circuit protection capability. The Short-circuit Protection (SCP) system includes debounced fault condition detection, regulator shutdown, and processor interrupt generation, to contain failures and minimize the chance of product damage. If a short-circuit condition is detected, the LDO will be disabled by resetting its VGENxEN bit, while at the same time, an interrupt VGENxFAULTI will be generated to flag the fault to the system processor. The VGENxFAULTI interrupt is maskable through the VGENxFAULTM mask bit.

The SCP feature is enabled by setting the REGSCPEN bit. If this bit is not set, the regulators will not automatically be disabled upon a short-circuit detection. However, the current limiter will continue to limit the output current of the regulator. By default, the REGSCPEN is not set; therefore, at start-up none of the regulators will be disabled if an overloaded condition occurs. A fault interrupt, VGENxFAULTI, will be generated in an overload condition regardless of the state of the REGSCPEN bit. See [Table 90](#) for SCP behavior configuration.

Table 90. Short-circuit Behavior

REGSCPEN[0]	Short-circuit Behavior
0	Current limit
1	Shutdown

7.4.6.3 LDO Regulator Control

Each LDO is fully controlled through its respective VGENxCTL register. This register enables the user to set the LDO output voltage according to [Table 91](#) for VGEN1 and VGEN2; and uses the voltage set point on [Table 92](#) for VGEN3 through VGEN6.

Table 91. VGEN1, VGEN2 Output Voltage Configuration

Set Point	VGENx[3:0]	VGENx Output (V)
0	0000	0.800
1	0001	0.850
2	0010	0.900
3	0011	0.950
4	0100	1.000
5	0101	1.050
6	0110	1.100
7	0111	1.150
8	1000	1.200
9	1001	1.250
10	1010	1.300
11	1011	1.350
12	1100	1.400
13	1101	1.450
14	1110	1.500
15	1111	1.550

Table 92. VGEN3/ 4/ 5/ 6 Output Voltage Configuration

Set Point	VGENx[3:0]	VGENx Output (V)
0	0000	1.80
1	0001	1.90
2	0010	2.00
3	0011	2.10
4	0100	2.20
5	0101	2.30
6	0110	2.40
7	0111	2.50
8	1000	2.60
9	1001	2.70
10	1010	2.80
11	1011	2.90
12	1100	3.00
13	1101	3.10
14	1110	3.20
15	1111	3.30

Besides the output voltage configuration, the LDOs can be enabled or disabled at anytime during normal mode operation, as well as programmed to stay “ON” or be disabled when the PMIC enters Standby mode. Each regulator has associated I²C bits for this. [Table 93](#) presents a summary of all valid combinations of the control bits on VGENxCTL register and the expected behavior of the LDO output.

Table 93. LDO Control

VGENxEN	VGENxLPWR	VGENxSTBY	STANDBY ⁽⁵⁰⁾	VGENxOUT
0	X	X	X	Off
1	0	0	X	On
1	1	0	X	Low Power
1	X	1	0	On
1	0	1	1	Off
1	1	1	1	Low Power

Notes

50. STANDBY refers to a Standby event as described earlier.

For more detail information, [Table 94](#) through [Table 99](#) provide a description of all registers necessary to operate all six general purpose LDO regulators.

Table 94. Register VGEN1CTL - ADDR 0x6C

Name	Bit #	R/W	Default	Description
VGEN1	3:0	R/W	0x80	Sets VGEN1 output voltage. See Table 91 for all possible configurations.
VGEN1EN	4	–	0x00	Enables or Disables VGEN1 output 0 = OFF 1 = ON
VGEN1STBY	5	R/W	0x00	Set VGEN1 output state when in Standby. Refer to Table 93 .
VGEN1LPWR	6	R/W	0x00	Enable Low Power Mode for VGEN1. Refer to Table 93 .
UNUSED	7	–	0x00	UNUSED

Table 95. Register VGEN2CTL - ADDR 0x6D

Name	Bit #	R/W	Default	Description
VGEN2	3:0	R/W	0x80	Sets VGEN2 output voltage. See Table 91 for all possible configurations.
VGEN2EN	4	–	0x00	Enables or Disables VGEN2 output 0 = OFF 1 = ON
VGEN2STBY	5	R/W	0x00	Set VGEN2 output state when in Standby. Refer to Table 93 .
VGEN2LPWR	6	R/W	0x00	Enable Low Power Mode for VGEN2. Refer to Table 93 .
UNUSED	7	–	0x00	UNUSED

Table 96. Register VGEN3CTL - ADDR 0x6E

Name	Bit #	R/W	Default	Description
VGEN3	3:0	R/W	0x80	Sets VGEN3 output voltage. See Table 92 for all possible configurations.
VGEN3EN	4	–	0x00	Enables or Disables VGEN3 output 0 = OFF 1 = ON
VGEN3STBY	5	R/W	0x00	Set VGEN3 output state when in Standby. Refer to Table 93 .
VGEN3LPWR	6	R/W	0x00	Enable Low Power Mode for VGEN3. Refer to Table 93 .
UNUSED	7	–	0x00	UNUSED

Table 97. Register VGEN4CTL - ADDR 0x6F

Name	Bit #	R/W	Default	Description
VGEN4	3:0	R/W	0x80	Sets VGEN4 output voltage. See Table 92 for all possible configurations.
VGEN4EN	4	–	0x00	Enables or Disables VGEN4 output 0 = OFF 1 = ON
VGEN4STBY	5	R/W	0x00	Set VGEN4 output state when in Standby. Refer to Table 93 .
VGEN4LPWR	6	R/W	0x00	Enable Low Power Mode for VGEN4. Refer to Table 93 .
UNUSED	7	–	0x00	UNUSED

Table 98. Register VGEN5CTL - ADDR 0x70

Name	Bit #	R/W	Default	Description
VGEN5	3:0	R/W	0x80	Sets VGEN5 output voltage. See Table 92 for all possible configurations.
VGEN5EN	4	–	0x00	Enables or Disables VGEN5 output 0 = OFF 1 = ON
VGEN5STBY	5	R/W	0x00	Set VGEN5 output state when in Standby. Refer to Table 93 .
VGEN5LPWR	6	R/W	0x00	Enable Low Power Mode for VGEN5. Refer to Table 93 .
UNUSED	7	–	0x00	UNUSED

Table 99. Register VGEN6CTL - ADDR 0x71

Name	Bit #	R/W	Default	Description
VGEN6	3:0	R/W	0x80	Sets VGEN6 output voltage. See Table 92 for all possible configurations.
VGEN6EN	4	–	0x00	Enables or Disables VGEN6 output 0 = OFF 1 = ON
VGEN6STBY	5	R/W	0x00	Set VGEN6 output state when in Standby. Refer to Table 93 .
VGEN6LPWR	6	R/W	0x00	Enable Low Power Mode for VGEN6. Refer to Table 93 .
UNUSED	7	–	0x00	UNUSED

7.4.6.4 External Components

Table 100 lists the typical component values for the general purpose LDO regulators.

Table 100. LDO External Components

Regulator	Output Capacitor (μF) ⁽⁵¹⁾
VGEN1	2.2
VGEN2	4.7
VGEN3	2.2
VGEN4	4.7
VGEN5	2.2
VGEN6	2.2

Notes
51. Use X5R/X7R ceramic capacitors.

7.4.6.5 LDO Specifications

VGEN1

Table 101. VGEN1 Electrical Characteristics

All parameters are specified at $T_A = -40$ to 85 °C, $V_{IN} = 3.6$ V, $V_{IN1} = 3.0$ V, $V_{GEN1}[3:0] = 1111$, $I_{GEN1} = 10$ mA, typical external component values, unless otherwise noted. Typical values are characterized at $V_{IN} = 3.6$ V, $V_{IN1} = 3.0$ V, $V_{GEN1}[3:0] = 1111$, $I_{GEN1} = 10$ mA, and 25 °C, unless otherwise noted.

Parameter	Symbol	Min	Typ	Max	Unit
VGEN1					
Operating Input Voltage	V_{IN1}	1.75	–	3.40	V
Nominal Output Voltage	$V_{GEN1NOM}$	–	Table 91	–	V
Operating Load Current	I_{GEN1}	0.0	–	100	mA
VGEN1 DC					
Output Voltage Tolerance 1.75 V < V_{IN1} < 3.4 V 0.0 mA < I_{GEN1} < 100 mA $V_{GEN1}[3:0] = 0000$ to 1111	$V_{GEN1TOL}$	-3.0	–	3.0	%
Load Regulation (V_{GEN1} at $I_{GEN1} = 100$ mA) - (V_{GEN1} at $I_{GEN1} = 0.0$ mA) For any 1.75 V < V_{IN1} < 3.4 V	$V_{GEN1LOR}$	–	0.15	–	mV/ mA
Line Regulation (V_{GEN1} at $V_{IN1} = 3.4$ V) - (V_{GEN1} at $V_{IN1} = 1.75$ V) For any 0.0 mA < I_{GEN1} < 100 mA	$V_{GEN1LIR}$	–	0.30	–	mV/ mA
Current Limit I_{GEN1} when VGEN1 is forced to $V_{GEN1NOM}/2$	$I_{GEN1LIM}$	133	167	200	mA
Over-current Protection Threshold I_{GEN1} required to cause the SCP function to disable LDO when REGSCPEN = 1	$I_{GEN1OCP}$	120	–	200	mA
Quiescent Current No load, Change in I_{VIN} and I_{VIN1} When VGEN1 enabled	I_{GEN1Q}	–	14	–	μA

Table 101. VGEN1 Electrical Characteristics

All parameters are specified at $T_A = -40$ to 85 °C, $V_{IN} = 3.6$ V, $V_{IN1} = 3.0$ V, $V_{GEN1}[3:0] = 1111$, $I_{GEN1} = 10$ mA, typical external component values, unless otherwise noted. Typical values are characterized at $V_{IN} = 3.6$ V, $V_{IN1} = 3.0$ V, $V_{GEN1}[3:0] = 1111$, $I_{GEN1} = 10$ mA, and 25 °C, unless otherwise noted.

Parameter	Symbol	Min	Typ	Max	Unit
VGEN1 AC AND TRANSIENT					
PSRR ⁽⁵²⁾ • $I_{GEN1} = 75$ mA, 20 Hz to 20 kHz $V_{GEN1}[3:0] = 0000 - 1101$ $V_{GEN1}[3:0] = 1110, 1111$	$PSRR_{VGEN1}$	50 37	60 45	– –	dB
Output Noise Density $V_{IN1} = 1.75$ V, $I_{GEN1} = 75$ mA 100 Hz – <1.0 kHz 1.0 kHz – <10 kHz 10 kHz – 1.0 MHz	$NOISE_{VGEN1}$	– – –	–108 –118 –124	–100 –108 –112	dBV/ √Hz
Turn-on Slew Rate • 10% to 90% of end value • 1.75 V $\leq V_{IN1} \leq 3.4$ V, $I_{GEN1} = 0.0$ mA $V_{GEN1}[3:0] = 0000$ to 0111 $V_{GEN1}[3:0] = 1000$ to 1111	$SLWR_{VGEN1}$	– –	– –	12.5 16.5	mV/μs
Turn-On Time Enable to 90% of end value, $V_{IN1} = 1.75$ V, 3.4 V $I_{GEN1} = 0.0$ mA	$GEN1_{TON}$	60	–	500	μs
Turn-Off Time Disable to 10% of initial value, $V_{IN1} = 1.75$ V $I_{GEN1} = 0.0$ mA	$GEN1_{TOFF}$	–	–	10	ms
Start-Up Overshoot $V_{IN1} = 1.75$ V, 3.4 V, $I_{GEN1} = 0.0$ mA	$GEN1_{OSHT}$	–	1.0	2.0	%
Transient Load Response • $V_{IN1} = 1.75$ V, 3.4 V $I_{GEN1} = 10$ to 100 mA in 1.0 μs. Peak of overshoot or undershoot of VGEN1 with respect to final value • Refer to Figure 24	$V_{GEN1LOTR}$	–	–	3.0	%
Transient Line Response • $I_{GEN1} = 75$ mA $V_{IN1_{INITIAL}} = 1.75$ V to $V_{IN1_{FINAL}} = 2.25$ V for $V_{GEN1}[3:0] = 0000$ to 1101 $V_{IN1_{INITIAL}} = V_{GEN1} + 0.3$ V to $V_{IN1_{FINAL}} = V_{GEN1} + 0.8$ V for $V_{GEN1}[3:0] = 1110, 1111$ • Refer to Figure 24	$V_{GEN1LITR}$	–	5.0	8.0	mV
Notes 52. The PSRR of the regulators is measured with the perturbing signal at the input of the regulator. The power management IC is supplied separately from the input of the regulator and does not contain the perturbed signal. During measurements, care must be taken not to operate in the dropout region of the regulator under test.					

VGEN2

Table 102. VGEN2 Electrical Characteristics

All parameters are specified at $T_A = -40$ to 85°C , $V_{IN} = 3.6\text{ V}$, $V_{IN1} = 3.0\text{ V}$, $V_{GEN2}[3:0] = 1111$, $I_{GEN2} = 10\text{ mA}$, typical external component values, unless otherwise noted. Typical values are characterized at $V_{IN} = 3.6\text{ V}$, $V_{IN1} = 3.0\text{ V}$, $V_{GEN2}[3:0] = 1111$, $I_{GEN2} = 10\text{ mA}$ and 25°C , unless otherwise noted.

Parameter	Symbol	Min	Typ	Max	Unit
-----------	--------	-----	-----	-----	------

VGEN2

Operating Input Voltage	V_{IN1}	1.75	–	3.40	V
Nominal Output Voltage	V_{GEN2_NOM}	–	Table 91	–	V
Operating Load Current	I_{GEN2}	0.0	–	250	mA

VGEN2 ACTIVE MODE - DC

Output Voltage Tolerance 1.75 V < V_{IN1} < 3.4 V 0.0 mA < I_{GEN2} < 250 mA $V_{GEN2}[3:0] = 0000$ to 1111	$V_{GEN2TOL}$	-3.0	–	3.0	%
Load Regulation (V_{GEN2} at $I_{GEN2} = 250\text{ mA}$) - (V_{GEN2} at $I_{GEN2} = 0.0\text{ mA}$) For any 1.75 V < V_{IN1} < 3.4 V	$V_{GEN2LOR}$	–	0.05	–	mV/ mA
Line Regulation (V_{GEN2} at $V_{IN1} = 3.4\text{ V}$) - (V_{GEN2} at $V_{IN1} = 1.75\text{ V}$) For any 0.0 mA < I_{GEN2} < 250 mA	$V_{GEN2LIR}$	–	0.50	–	mV/ mA
Current Limit I_{GEN2} when VGEN2 is forced to $V_{GEN2_NOM}/2$	$I_{GEN2LIM}$	333	417	500	mA
Over-current Protection Threshold I_{GEN2} required to cause the SCP function to disable LDO when $REGSCPEN = 1$	$I_{GEN2OCP}$	300	–	500	mA
Quiescent Current No load, Change in I_{VIN} and I_{VIN1} When VGEN2 enabled	I_{GEN2Q}	–	16	–	μA

VGEN2 AC AND TRANSIENT

PSRR ⁽⁵³⁾ • $I_{GEN2} = 187.5\text{ mA}$, 20 Hz to 20 kHz $V_{GEN2}[3:0] = 0000 - 1101$ $V_{GEN2}[3:0] = 1110, 1111$	$PSRR_{V_{GEN2}}$	50 37	60 45	– –	dB
Output Noise Density • $V_{IN1} = 1.75\text{ V}$, $I_{GEN2} = 187.5\text{ mA}$ 100 Hz – <1.0 kHz 1.0 kHz – <10 kHz 10 kHz – 1.0 MHz	$NOISE_{V_{GEN2}}$	– – –	-108 -118 -124	-100 -108 -112	dBV/ $\sqrt{\text{Hz}}$
Turn-On Slew Rate • 10% to 90% of end value • 1.75 V $\leq V_{IN1} \leq 3.4\text{ V}$, $I_{GEN2} = 0.0\text{ mA}$ $V_{GEN2}[3:0] = 0000$ to 0111 $V_{GEN2}[3:0] = 1000$ to 1111	$SLWR_{V_{GEN2}}$	– –	– –	12.5 16.5	mV/ μs
Turn-On Time Enable to 90% of end value, $V_{IN1} = 1.75\text{ V}, 3.4\text{ V}$ $I_{GEN2} = 0.0\text{ mA}$	$GEN2_{TON}$	60	–	500	μs

Table 102. VGEN2 Electrical Characteristics

All parameters are specified at $T_A = -40$ to 85 °C, $V_{IN} = 3.6$ V, $V_{IN1} = 3.0$ V, $V_{GEN2[3:0]} = 1111$, $I_{GEN2} = 10$ mA, typical external component values, unless otherwise noted. Typical values are characterized at $V_{IN} = 3.6$ V, $V_{IN1} = 3.0$ V, $V_{GEN2[3:0]} = 1111$, $I_{GEN2} = 10$ mA and 25 °C, unless otherwise noted.

Parameter	Symbol	Min	Typ	Max	Unit
VGEN2 AC AND TRANSIENT (CONTINUED)					
Turn-Off Time Disable to 10% of initial value, $V_{IN1} = 1.75$ V $I_{GEN2} = 0.0$ mA	$GEN2_{IOFF}$	–	–	10	ms
Start-up Overshoot $V_{IN1} = 1.75$ V, 3.4 V, $I_{GEN2} = 0.0$ mA	$GEN2_{OSHT}$	–	1.0	2.0	%
Transient Load Response $V_{IN1} = 1.75$ V, 3.4 V $I_{GEN2} = 25$ to 250 mA in 1.0 μ s Peak of overshoot or undershoot of VGEN2 with respect to final value Refer to Figure 24	$V_{GEN2LOTR}$	–	–	3.0	%
Transient Line Response $I_{GEN2} = 187.5$ mA $V_{IN1_{INITIAL}} = 1.75$ V to $V_{IN1_{FINAL}} = 2.25$ V for $V_{GEN2[3:0]} = 0000$ to 1101 $V_{IN1_{INITIAL}} = V_{GEN2} + 0.3$ V to $V_{IN1_{FINAL}} = V_{GEN2} + 0.8$ V for $V_{GEN2[3:0]} = 1110, 1111$ Refer to Figure 24	$V_{GEN2LITR}$	–	5.0	8.0	mV
Notes					
53. The PSRR of the regulators is measured with the perturbing signal at the input of the regulator. The power management IC is supplied separately from the input of the regulator and does not contain the perturbed signal. During measurements, care must be taken not to operate in the dropout region of the regulator under test.					

VGEN3

Table 103. VGEN3 Electrical Characteristics

All parameters are specified at $T_A = -40$ to 85 °C, $V_{IN} = 3.6$ V, $V_{IN2} = 3.6$ V, $V_{GEN3}[3:0] = 1111$, $I_{GEN3} = 10$ mA, typical external component values, unless otherwise noted. Typical values are characterized at $V_{IN} = 3.6$ V, $V_{IN2} = 3.6$ V, $V_{GEN3}[3:0] = 1111$, $I_{GEN3} = 10$ mA, and 25 °C, unless otherwise noted.

Parameter	Symbol	Min	Typ	Max	Unit
VGEN3					
Operating Input Voltage $1.8 \text{ V} \leq V_{GEN3_{NOM}} \leq 2.5 \text{ V}$ $2.6 \text{ V} \leq V_{GEN3_{NOM}} \leq 3.3 \text{ V}^{(54)}$	V_{IN2}	2.8 $V_{GEN3_{NOM}} + 0.250$	– –	3.6 3.6	V
Nominal Output Voltage	$V_{GEN3_{NOM}}$	–	Table 92	–	V
Operating Load Current	I_{GEN3}	0.0	–	100	mA

VGEN3 DC

Output Voltage Tolerance $V_{IN2_{MIN}} < V_{IN2} < 3.6 \text{ V}$ $0.0 \text{ mA} < I_{GEN3} < 100 \text{ mA}$ $V_{GEN3}[3:0] = 0000$ to 1111	$V_{GEN3TOL}$	-3.0	–	3.0	%
Load Regulation (V_{GEN3} at $I_{GEN3} = 100 \text{ mA}$) - (V_{GEN3} at $I_{GEN3} = 0.0 \text{ mA}$) For any $V_{IN2_{MIN}} < V_{IN2} < 3.6 \text{ V}$	$V_{GEN3LOR}$	–	0.07	–	mV/ mA
Line Regulation (V_{GEN3} at $V_{IN2} = 3.6 \text{ V}$) - (V_{GEN3} at $V_{IN2_{MIN}}$) For any $0.0 \text{ mA} < I_{GEN3} < 100 \text{ mA}$	$V_{GEN3LIR}$	–	0.8	–	mV/ mA
Current Limit I_{GEN3} when VGEN3 is forced to $V_{GEN3_{NOM}}/2$	$I_{GEN3LIM}$	133	167	200	mA
Over-current Protection Threshold I_{GEN3} required to cause the SCP function to disable LDO when $REGSCPEN = 1$	$I_{GEN3OCP}$	120	–	200	mA
Quiescent Current No load, Change in I_{VIN} and I_{VIN2} When VGEN3 enabled	I_{GEN3Q}	–	13	–	μA

VGEN3 AC AND TRANSIENT

PSRR ⁽⁵⁵⁾ • $I_{GEN3} = 75 \text{ mA}$, 20 Hz to 20 kHz $V_{GEN3}[3:0] = 0000 - 1110$, $V_{IN2} = V_{IN2_{MIN}} + 100 \text{ mV}$ $V_{GEN3}[3:0] = 0000 - 1000$, $V_{IN2} = V_{GEN3_{NOM}} + 1.0 \text{ V}$	$PSRR_{VGEN3}$	35 55	40 60	– –	dB
Output Noise Density • $V_{IN2} = V_{IN2_{MIN}}$, $I_{GEN3} = 75 \text{ mA}$ 100 Hz – <1.0 kHz 1.0 kHz – <10 kHz 10 kHz – 1.0 MHz	$NOISE_{VGEN3}$	– – –	-114 -129 -135	-102 -123 -130	dBV/ $\sqrt{\text{Hz}}$
Turn-On Slew Rate • 10% to 90% of end value • $V_{IN2_{MIN}} \leq V_{IN2} \leq 3.6 \text{ V}$, $I_{GEN3} = 0.0 \text{ mA}$ $V_{GEN3}[3:0] = 0000$ to 0011 $V_{GEN3}[3:0] = 0100$ to 0111 $V_{GEN3}[3:0] = 1000$ to 1011 $V_{GEN3}[3:0] = 1100$ to 1111	$SLWR_{VGEN3}$	– – – –	– – – –	22.0 26.5 30.5 34.5	mV/ μs

Table 103. VGEN3 Electrical Characteristics

All parameters are specified at $T_A = -40$ to 85 °C, $V_{IN} = 3.6$ V, $V_{IN2} = 3.6$ V, $V_{GEN3[3:0]} = 1111$, $I_{GEN3} = 10$ mA, typical external component values, unless otherwise noted. Typical values are characterized at $V_{IN} = 3.6$ V, $V_{IN2} = 3.6$ V, $V_{GEN3[3:0]} = 1111$, $I_{GEN3} = 10$ mA, and 25 °C, unless otherwise noted.

Parameter	Symbol	Min	Typ	Max	Unit
VGEN3 AC AND TRANSIENT (CONTINUED)					
Turn-On Time Enable to 90% of end value, $V_{IN2} = VIN2_{MIN}$, 3.6 V $I_{GEN3} = 0.0$ mA	$GEN3_{ION}$	60	–	500	μ s
Turn-Off Time Disable to 10% of initial value, $V_{IN2} = VIN2_{MIN}$ $I_{GEN3} = 0.0$ mA	$GEN3_{IOFF}$	–	–	10	ms
Start-up Overshoot $V_{IN2} = VIN2_{MIN}$, 3.6 V, $I_{GEN3} = 0.0$ mA	$GEN3_{OSHT}$	–	1.0	2.0	%
Transient Load Response $V_{IN2} = VIN2_{MIN}$, 3.6 V $I_{GEN3} = 10$ to 100 mA in 1.0 μ s Peak of overshoot or undershoot of VGEN3 with respect to final value. Refer to Figure 24	$V_{GEN3LOTR}$	–	–	3.0	%
Transient Line Response $I_{GEN3} = 75$ mA $VIN2_{INITIAL} = 2.8$ V to $VIN2_{FINAL} = 3.3$ V for $GEN3[3:0] = 0000$ to 0111 $VIN2_{INITIAL} = V_{GEN3} + 0.3$ V to $VIN2_{FINAL} = V_{GEN3} + 0.8$ V for $VGEN3[3:0] = 1000$ to 1010 $VIN2_{INITIAL} = V_{GEN3} + 0.25$ V to $VIN2_{FINAL} = 3.6$ V for $VGEN3[3:0] = 1011$ to 1111 Refer to Figure 24	$V_{GEN3LITR}$	–	5.0	8.0	mV

Notes

54. When the LDO Output voltage is set above 2.6 V, the minimum allowed input voltage needs to be at least the output voltage plus 0.25 V, for proper regulation due to the dropout voltage generated through the internal LDO transistor.
55. The PSRR of the regulators is measured with the perturbing signal at the input of the regulator. The power management IC is supplied separately from the input of the regulator and does not contain the perturbed signal. During measurements, care must be taken not to operate in the dropout region of the regulator under test. $VIN2_{MIN}$ refers to the minimum allowed input voltage for a particular output voltage.

VGEN4

Table 104. VGEN4 Electrical Characteristics

All parameters are specified at $T_A = -40$ to 85 °C, $V_{IN} = 3.6$ V, $V_{IN2} = 3.6$ V, $V_{GEN4}[3:0] = 1111$, $I_{GEN4} = 10$ mA, typical external component values, unless otherwise noted. Typical values are characterized at $V_{IN} = 3.6$ V, $V_{IN2} = 3.6$ V, $V_{GEN4}[3:0] = 1111$, $I_{GEN4} = 10$ mA, and 25 °C, unless otherwise noted.

Parameter	Symbol	Min	Typ	Max	Unit
VGEN4					
Operating Input Voltage $1.8 \text{ V} \leq V_{GEN4_{NOM}} \leq 2.5 \text{ V}$ $2.6 \text{ V} \leq V_{GEN4_{NOM}} \leq 3.3 \text{ V}^{(56)}$	V_{IN2}	2.8 $V_{GEN4_{NOM}} + 0.250$	– –	3.6 3.6	V
Nominal Output Voltage	$V_{GEN4_{NOM}}$	–	Table 92	–	V
Operating Load Current	I_{GEN4}	0.0	–	350	mA

VGEN4 DC

Output Voltage Tolerance $V_{IN2_{MIN}} < V_{IN2} < 3.6 \text{ V}$ $0.0 \text{ mA} < I_{GEN4} < 350 \text{ mA}$ $V_{GEN4}[3:0] = 0000$ to 1111	$V_{GEN4TOL}$	-3.0	–	3.0	%
Load Regulation (V_{GEN4} at $I_{GEN4} = 350 \text{ mA}$) - (V_{GEN4} at $I_{GEN4} = 0.0 \text{ mA}$) For any $V_{IN2_{MIN}} < V_{IN2} < 3.6 \text{ V}$	$V_{GEN4LOR}$	–	0.07	–	mV/ mA
Line Regulation (V_{GEN4} at 3.6 V) - (V_{GEN4} at $V_{IN2_{MIN}}$) For any $0.0 \text{ mA} < I_{GEN4} < 350 \text{ mA}$	$V_{GEN4LIR}$	–	0.80	–	mV/ mA
Current Limit I_{GEN4} when VGEN4 is forced to $V_{GEN4_{NOM}}/2$	$I_{GEN4LIM}$	465.5	584.5	700	mA
Over-current Protection Threshold I_{GEN4} required to cause the SCP function to disable LDO when $REGSCPEN = 1$	$I_{GEN4OCP}$	420	–	700	mA
Quiescent Current No load, Change in I_{VIN} and I_{VIN2} When VGEN4 enabled	I_{GEN4Q}	–	13	–	μA

VGEN4 AC AND TRANSIENT

PSRR ⁽⁵⁷⁾ • $I_{GEN4} = 262.5 \text{ mA}$, 20 Hz to 20 kHz $V_{GEN4}[3:0] = 0000 - 1110$, $V_{IN2} = V_{IN2_{MIN}} + 100 \text{ mV}$ $V_{GEN4}[3:0] = 0000 - 1000$, $V_{IN2} = V_{GEN4_{NOM}} + 1.0 \text{ V}$	$PSRR_{V_{GEN4}}$	35 55	40 60	– –	dB
Output Noise Density • $V_{IN2} = V_{IN2_{MIN}}$, $I_{GEN4} = 262.5 \text{ mA}$ 100 Hz – <1.0 kHz 1.0 kHz – <10 kHz 10 kHz – 1.0 MHz	$NOISE_{V_{GEN4}}$	– – –	-114 -129 -135	-102 -123 -130	dBV/ $\sqrt{\text{Hz}}$
Turn-On Slew Rate • 10% to 90% of end value • $V_{IN2_{MIN}} \leq V_{IN2} \leq 3.6 \text{ V}$, $I_{GEN4} = 0.0 \text{ mA}$ $V_{GEN4}[3:0] = 0000$ to 0011 $V_{GEN4}[3:0] = 0100$ to 0111 $V_{GEN4}[3:0] = 1000$ to 1011 $V_{GEN4}[3:0] = 1100$ to 1111	$SLWR_{V_{GEN4}}$	– – – –	– – – –	22.0 26.5 30.5 34.5	mV/ μs

Table 104. VGEN4 Electrical Characteristics

All parameters are specified at $T_A = -40$ to 85 °C, $V_{IN} = 3.6$ V, $V_{IN2} = 3.6$ V, $V_{GEN4[3:0]} = 1111$, $I_{GEN4} = 10$ mA, typical external component values, unless otherwise noted. Typical values are characterized at $V_{IN} = 3.6$ V, $V_{IN2} = 3.6$ V, $V_{GEN4[3:0]} = 1111$, $I_{GEN4} = 10$ mA, and 25 °C, unless otherwise noted.

Parameter	Symbol	Min	Typ	Max	Unit
VGEN4 AC AND TRANSIENT (CONTINUED)					
Turn-On Time Enable to 90% of end value, $V_{IN2} = VIN2_{MIN}$, 3.6 V $I_{GEN4} = 0.0$ mA	$GEN4_{TON}$	60	–	500	μ s
Turn-Off Time Disable to 10% of initial value, $V_{IN2} = VIN2_{MIN}$ $I_{GEN4} = 0.0$ mA	$GEN4_{TOFF}$	–	–	10	ms
Start-up Overshoot $V_{IN2} = VIN2_{MIN}$, 3.6 V, $I_{GEN4} = 0.0$ mA	$GEN4_{OSHT}$	–	1.0	2.0	%
Transient Load Response $V_{IN2} = VIN2_{MIN}$, 3.6 V $I_{GEN4} = 35$ to 350 mA in 1.0 μ s Peak of overshoot or undershoot of VGEN4 with respect to final value. Refer to Figure 24	$V_{GEN4LOTR}$	–	–	3.0	%
Transient Line Response $I_{GEN4} = 262.5$ mA $VIN2_{INITIAL} = 2.8$ V to $VIN2_{FINAL} = 3.3$ V for $VGEN4[3:0] = 0000$ to 0111 $VIN2_{INITIAL} = V_{GEN4} + 0.3$ V to $VIN2_{FINAL} = V_{GEN4} + 0.8$ V for $VGEN4[3:0] = 1000$ to 1010 $VIN2_{INITIAL} = V_{GEN4} + 0.25$ V to $VIN2_{FINAL} = 3.6$ V for $VGEN4[3:0] = 1011$ to 1111 Refer to Figure 24	$V_{GEN4LITR}$	–	5.0	8.0	mV

Notes

56. When the LDO Output voltage is set above 2.6 V the minimum allowed input voltage need to be at least the output voltage plus 0.25 V for proper regulation due to the dropout voltage generated through the internal LDO transistor.
57. The PSRR of the regulators is measured with the perturbing signal at the input of the regulator. The power management IC is supplied separately from the input of the regulator and does not contain the perturbed signal. During measurements, care must be taken not to operate in the dropout region of the regulator under test. $VIN2_{MIN}$ refers to the minimum allowed input voltage for a particular output voltage.

VGEN5

Table 105. VGEN5 Electrical Characteristics

All parameters are specified at $T_A = -40$ to 85 °C, $V_{IN} = 3.6$ V, $V_{IN3} = 3.6$ V, $V_{GEN5}[3:0] = 1111$, $I_{GEN5} = 10$ mA, typical external component values, unless otherwise noted. Typical values are characterized at $V_{IN} = 3.6$ V, $V_{IN3} = 3.6$ V, $V_{GEN5}[3:0] = 1111$, $I_{GEN5} = 10$ mA, and 25 °C, unless otherwise noted.

Parameter	Symbol	Min	Typ	Max	Unit
VGEN5					
Operating Input Voltage $1.8 \text{ V} \leq V_{GEN5NOM} \leq 2.5 \text{ V}$ $2.6 \text{ V} \leq V_{GEN5NOM} \leq 3.3 \text{ V}^{(58)}$	V_{IN3}	2.8 $V_{GEN5NOM} + 0.250$	– –	4.5 4.5	V
Nominal Output Voltage	$V_{GEN5NOM}$	–	Table 92	–	V
Operating Load Current	I_{GEN5}	0.0	–	100	mA

VGEN5 ACTIVE MODE – DC

Output Voltage Tolerance $V_{IN3MIN} < V_{IN3} < 4.5 \text{ V}$ $0.0 \text{ mA} < I_{GEN5} < 100 \text{ mA}$ $V_{GEN5}[3:0] = 0000$ to 1111	$V_{GEN5TOL}$	-3.0	–	3.0	%
Load Regulation (V_{GEN5} at $I_{GEN5} = 100 \text{ mA}$) - (V_{GEN5} at $I_{GEN5} = 0.0 \text{ mA}$) For any $V_{IN3MIN} < V_{IN3} < 4.5 \text{ mV}$	$V_{GEN5LOR}$	–	0.10	–	mV/ mA
Line Regulation (V_{GEN5} at $V_{IN3} = 4.5 \text{ V}$) - (V_{GEN5} at V_{IN3MIN}) For any $0.0 \text{ mA} < I_{GEN5} < 100 \text{ mA}$	$V_{GEN5LIR}$	–	0.50	–	mV/ mA
Current Limit I_{GEN5} when V_{GEN5} is forced to $V_{GEN5NOM}/2$	$I_{GEN5LIM}$	133	167	200	mA
Over-current Protection threshold I_{GEN5} required to cause the SCP function to disable LDO when $REGSCPEN = 1$	$I_{GEN5OCP}$	120	–	200	mA
Quiescent Current No load, Change in I_{VIN} and I_{VIN3} When V_{GEN5} enabled	I_{GEN5Q}	–	13	–	μA

VGEN5 AC AND TRANSIENT

PSRR ⁽⁵⁹⁾ • $I_{GEN5} = 75 \text{ mA}$, 20 Hz to 20 kHz $V_{GEN5}[3:0] = 0000 - 1111$, $V_{IN3} = V_{IN3MIN} + 100 \text{ mV}$ $V_{GEN5}[3:0] = 0000 - 1111$, $V_{IN3} = V_{GEN5NOM} + 1.0 \text{ V}$	$PSRR_{VGEN5}$	35 52	40 60	– –	dB
Output Noise Density • $V_{IN3} = V_{IN3MIN}$, $I_{GEN5} = 75 \text{ mA}$ 100 Hz – <1.0 kHz 1.0 kHz – <10 kHz 10 kHz – 1.0 MHz	$NOISE_{VGEN5}$	– – –	-114 -129 -135	-102 -123 -130	dBV/ $\sqrt{\text{Hz}}$
Turn-On Slew Rate • 10% to 90% of end value • $V_{IN3MIN} \leq V_{IN3} \leq 4.5 \text{ mV}$, $I_{GEN5} = 0.0 \text{ mA}$ $V_{GEN5}[3:0] = 0000$ to 0011 $V_{GEN5}[3:0] = 0100$ to 0111 $V_{GEN5}[3:0] = 1000$ to 1011 $V_{GEN5}[3:0] = 1100$ to 1111	$SLWR_{VGEN5}$	– – – –	– – – –	22.0 26.5 30.5 34.5	mV/ μs

Table 105. VGEN5 Electrical Characteristics

All parameters are specified at $T_A = -40$ to 85 °C, $V_{IN} = 3.6$ V, $V_{IN3} = 3.6$ V, $V_{GEN5[3:0]} = 1111$, $I_{GEN5} = 10$ mA, typical external component values, unless otherwise noted. Typical values are characterized at $V_{IN} = 3.6$ V, $V_{IN3} = 3.6$ V, $V_{GEN5[3:0]} = 1111$, $I_{GEN5} = 10$ mA, and 25 °C, unless otherwise noted.

Parameter	Symbol	Min	Typ	Max	Unit
VGEN5 ACTIVE MODE – DC (CONTINUED)					
Turn-On Time Enable to 90% of end value, $V_{IN3} = VIN3_{MIN}$, 4.5 V $I_{GEN5} = 0.0$ mA	$GEN5_{TON}$	60	–	500	μ s
Turn-Off Time Disable to 10% of initial value, $V_{IN3} = VIN3_{MIN}$ $I_{GEN5} = 0.0$ mA	$GEN5_{TOFF}$	–	–	10	ms
Start-Up Overshoot $V_{IN3} = VIN3_{MIN}$, 4.5 V, $I_{GEN5} = 0.0$ mA	$GEN5_{OSHT}$	–	1.0	2.0	%
Transient Load Response $V_{IN3} = VIN3_{MIN}$, 4.5 V $I_{GEN5} = 10$ to 100 mA in 1.0 μ s Peak of overshoot or undershoot of VGEN5 with respect to final value. Refer to Figure 24	$V_{GEN5LOTR}$	–	–	3.0	%
Transient Line Response $I_{GEN5} = 75$ mA $V_{IN3_{INITIAL}} = 2.8$ V to $V_{IN3_{FINAL}} = 3.3$ V for $V_{GEN5[3:0]} = 0000$ to 0111 $V_{IN3_{INITIAL}} = V_{GEN5} + 0.3$ V to $V_{IN3_{FINAL}} = V_{GEN5} + 0.8$ V for $V_{GEN5[3:0]} = 1000$ to 1111 Refer to Figure 24	$V_{GEN5LITR}$	–	5.0	8.0	mV

Notes

58. When the LDO Output voltage is set above 2.6 V the minimum allowed input voltage need to be at least the output voltage plus 0.25 V for proper regulation due to the dropout voltage generated through the internal LDO transistor.
59. The PSRR of the regulators is measured with the perturbing signal at the input of the regulator. The power management IC is supplied separately from the input of the regulator and does not contain the perturbed signal. During measurements, care must be taken not to operate in the dropout region of the regulator under test. $VIN3_{MIN}$ refers to the minimum allowed input voltage for a particular output voltage.

VGEN6

Table 106. VGEN6 Electrical Characteristics

All parameters are specified at $T_A = -40$ to 85 °C, $V_{IN} = 3.6$ V, $V_{IN3} = 3.6$ V, $V_{GEN6}[3:0] = 1111$, $I_{GEN6} = 10$ mA, typical external component values, unless otherwise noted. Typical values are characterized at $V_{IN} = 3.6$ V, $V_{IN3} = 3.6$ V, $V_{GEN6}[3:0] = 1111$, $I_{GEN6} = 10$ mA, and 25 °C, unless otherwise noted.

Parameter	Symbol	Min	Typ	Max	Unit
VGEN6					
Operating Input Voltage $1.8 \text{ V} \leq V_{GEN6NOM} \leq 2.5 \text{ V}$ $2.6 \text{ V} \leq V_{GEN6NOM} \leq 3.3 \text{ V}$ ⁽⁶⁰⁾	V_{IN3}	2.8 $V_{GEN6NOM} + 0.250$	– –	4.5 4.5	V
Nominal Output Voltage	$V_{GEN6NOM}$	–	Table 92	–	V
Operating Load Current	I_{GEN6}	0.0	–	200	mA
VGEN6 DC					
Output Voltage Tolerance $V_{IN3MIN} < V_{IN3} < 4.5 \text{ V}$ $0.0 \text{ mA} < I_{GEN6} < 200 \text{ mA}$ $V_{GEN6}[3:0] = 0000$ to 1111	$V_{GEN6TOL}$	-3.0	–	3.0	%
Load Regulation $(V_{GEN6} \text{ at } I_{GEN6} = 200 \text{ mA}) - (V_{GEN6} \text{ at } I_{GEN6} = 0.0 \text{ mA})$ For any $V_{IN3MIN} < V_{IN3} < 4.5 \text{ V}$	$V_{GEN6LOR}$	–	0.10	–	mV/ mA
Line Regulation $(V_{GEN6} \text{ at } V_{IN3} = 4.5 \text{ V}) - (V_{GEN6} \text{ at } V_{IN3MIN})$ For any $0.0 \text{ mA} < I_{GEN6} < 200 \text{ mA}$	$V_{GEN6LIR}$	–	0.50	–	mV/ mA
Current Limit I_{GEN6} when VGEN6 is forced to $V_{GEN6NOM}/2$	$I_{GEN6LIM}$	240	333	400	mA
Over Current Protection Threshold I_{GEN6} required to cause the SCP function to disable LDO when $REGSCPEN = 1$	$I_{GEN6OCP}$	240	–	400	mA
Quiescent Current No load, Change in I_{VIN} and I_{VIN3} When VGEN6 enabled	I_{GEN6Q}	–	13	–	μA
VGEN6 AC AND TRANSIENT					
PSRR ⁽⁶¹⁾ • $I_{GEN6} = 150 \text{ mA}$, 20 Hz to 20 kHz $V_{GEN6}[3:0] = 0000 - 1111$, $V_{IN3} = V_{IN3MIN} + 100 \text{ mV}$ $V_{GEN6}[3:0] = 0000 - 1111$, $V_{IN3} = V_{GEN6NOM} + 1.0 \text{ V}$	$PSRR_{VGEN6}$	35 52	40 60	– –	dB
Output Noise Density • $V_{IN3} = V_{IN3MIN}$, $I_{GEN6} = 150 \text{ mA}$ 100 Hz – <1.0 kHz 1.0 kHz – <10 kHz 10 kHz – 1.0 MHz	$NOISE_{VGEN6}$	– – –	-114 -129 -135	-102 -123 -130	dBV/ √Hz
Turn-On Slew Rate • 10% to 90% of end value • $V_{IN3MIN} \leq V_{IN3} \leq 4.5 \text{ V}$, $I_{GEN6} = 0.0 \text{ mA}$ $V_{GEN6}[3:0] = 0000$ to 0011 $V_{GEN6}[3:0] = 0100$ to 0111 $V_{GEN6}[3:0] = 1000$ to 1011 $V_{GEN6}[3:0] = 1100$ to 1111	$SLWR_{VGEN6}$	– – – –	– – – –	22.0 26.5 30.5 34.5	mV/μs
Turn-On Time Enable to 90% of end value, $V_{IN3} = V_{IN3MIN}$, 4.5 V $I_{GEN6} = 0.0 \text{ mA}$	$GEN6_{TON}$	60	–	500	μs

Table 106. VGEN6 Electrical Characteristics

All parameters are specified at $T_A = -40$ to 85 °C, $V_{IN} = 3.6$ V, $V_{IN3} = 3.6$ V, $V_{GEN6[3:0]} = 1111$, $I_{GEN6} = 10$ mA, typical external component values, unless otherwise noted. Typical values are characterized at $V_{IN} = 3.6$ V, $V_{IN3} = 3.6$ V, $V_{GEN6[3:0]} = 1111$, $I_{GEN6} = 10$ mA, and 25 °C, unless otherwise noted.

Parameter	Symbol	Min	Typ	Max	Unit
VGEN6 AC AND TRANSIENT (CONTINUED)					
Turn-Off Time Disable to 10% of initial value, $V_{IN3} = V_{IN3_{MIN}}$ $I_{GEN6} = 0.0$ mA	$GEN6_{IOFF}$	–	–	10	ms
Start-Up Overshoot $V_{IN3} = V_{IN3_{MIN}}$, 4.5 V, $I_{GEN6} = 0$ mA	$GEN6_{OSHT}$	–	1.0	2.0	%
Transient Load Response $V_{IN3} = V_{IN3_{MIN}}$, 4.5 V $I_{GEN6} = 20$ to 200 mA in 1.0 μ s Peak of overshoot or undershoot of VGEN6 with respect to final value. Refer to Figure 24 .	$V_{GEN6LOTR}$	–	–	3.0	%
Transient Line Response $I_{GEN6} = 150$ mA $V_{IN3_{INITIAL}} = 2.8$ V to $V_{IN3_{FINAL}} = 3.3$ V for $V_{GEN6[3:0]} = 0000$ to 0111 $V_{IN3_{INITIAL}} = V_{GEN6} + 0.3$ V to $V_{IN3_{FINAL}} = V_{GEN6} + 0.8$ V for $V_{GEN6[3:0]} = 1000$ to 1111 Refer to Figure 24	$V_{GEN6LITR}$	–	5.0	8.0	mV

Notes

60. When the LDO Output voltage is set above 2.6 V the minimum allowed input voltage need to be at least the output voltage plus 0.25 V for proper regulation due to the dropout voltage generated through the internal LDO transistor.
61. The PSRR of the regulators is measured with the perturbing signal at the input of the regulator. The power management IC is supplied separately from the input of the regulator and does not contain the perturbed signal. During measurements, care must be taken not to operate in the dropout region of the regulator under test. $V_{IN3_{MIN}}$ refers to the minimum allowed input voltage for a particular output voltage.

7.4.7 VSNVS LDO/Switch

VSNVS powers the low power, SNVS/RTC domain on the processor. It derives its power from either VIN, or coin cell, and cannot be disabled. When powered by both, VIN takes precedence when above the appropriate comparator threshold. When powered by VIN, VSNVS is an LDO capable of supplying seven voltages: 3.0, 1.8, 1.5, 1.3, 1.2, 1.1, and 1.0 V. The bits VSNVSVOLT[2:0] in register VSNVS_CONTROL determine the output voltage. When powered by coin cell, VSNVS is an LDO capable of supplying 1.8, 1.5, 1.3, 1.2, 1.1, or 1.0 V as shown in [Table 107](#). If the 3.0 V option is chosen with the coin cell, VSNVS tracks the coin cell voltage by means of a switch, whose maximum resistance is 100 Ω . In this case, the VSNVS voltage is simply the coin cell voltage minus the voltage drop across the switch, which is 40 mV at a rated maximum load current of 400 μ A.

The default setting of the VSNVSVOLT[2:0] is 110, or 3.0 V, unless programmed otherwise in OTP. However, when the coin cell is applied for the very first time, VSNVS will output 1.0 V. Only when VIN is applied thereafter will VSNVS transition to its default, or programmed value if different. Upon subsequent removal of VIN, with the coin cell attached, VSNVS will change configuration from an LDO to a switch for the “110” setting, and will remain as an LDO for the other settings, continuing to output the same voltages as when VIN is applied, providing certain conditions are met as described in [Table 107](#).

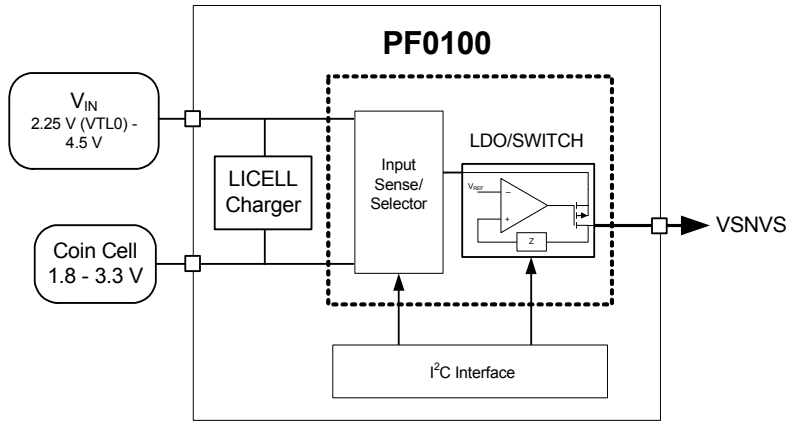


Figure 25. VSNVS Supply Switch Architecture

Table 107 provides a summary of the VSNVS operation at different input voltage V_{IN} and with or without coin cell connected to the system.

Table 107. VSNVS Modes of Operation

VSNVSVOLT[2:0]	VIN	MODE
110	$> V_{TH1}$	VIN LDO 3.0 V
110	$< V_{TL1}$	Coin cell switch
000 – 101	$> V_{TH0}$	VIN LDO
000 – 101	$< V_{TL0}$	Coin cell LDO

VSNVS Control

The VSNVS output level is configured through the VSNVSVOLT[2:0] bits on VSNVSCTL register as shown in table Table 108.

Table 108. Register VSNVSCTL - ADDR 0x6B

Name	Bit #	R/W	Default	Description
VSNVSVOLT	2:0	R/W	0x80	Configures VSNVS output voltage. ⁽⁶²⁾ 000 = 1.0 V 001 = 1.1 V 010 = 1.2 V 011 = 1.3 V 100 = 1.5 V 101 = 1.8 V 110 = 3.0 V 111 = RSVD
UNUSED	7:3	–	0x00	UNUSED

Notes

62. Only valid when a valid input voltage is present.

VSNVS External Components

Table 109. VSNVS External Components

Capacitor	Value (μF)
VSNVS	0.47

VSNVS Specifications

Table 110. VSNVS Electrical Characteristics

All parameters are specified at $T_A = -40$ to 85 °C, $V_{IN} = 3.6$ V, $V_{SNVS} = 3.0$ V, $I_{SNVS} = 5.0$ μ A, typical external component values, unless otherwise noted. Typical values are characterized at $V_{IN} = 3.6$ V, $V_{SNVS} = 3.0$ V, $I_{SNVS} = 5.0$ μ A, and 25 °C, unless otherwise noted.

Parameter	Symbol	Min	Typ	Max	Unit
VSNVS					
Operating Input Voltage Valid Coin Cell range Valid V_{IN}	V_{INSNVS}	1.8 2.25	– –	3.3 4.5	V
Operating Load Current $V_{INMIN} < V_{IN} < V_{INMAX}$	I_{SNVS}	5.0	–	400 ⁽⁶³⁾	μ A
VSNVS DC, LDO					
Output Voltage • $5.0 \mu\text{A} < I_{SNVS} < 400 \mu\text{A}$ (OFF) $3.20 \text{ V} < V_{IN} < 4.5 \text{ V}$, $VSNVSVOLT[2:0] = 110$ $VTLO/VTH < V_{IN} < 4.5 \text{ V}$, $VSNVSVOLT[2:0] = [000] - [101]$ • $5.0 \mu\text{A} < I_{SNVS} < 400 \mu\text{A}$ (ON) $3.20 \text{ V} < V_{IN} < 4.5 \text{ V}$, $VSNVSVOLT[2:0] = 110$ $UVDET < V_{IN} < 4.5 \text{ V}$, $VSNVSVOLT[2:0] = [000] - [101]$ • $5.0 \mu\text{A} < I_{SNVS} < 400 \mu\text{A}$ (Coin Cell mode) $2.84 \text{ V} < V_{COIN} < 3.3 \text{ V}$, $VSNVSVOLT[2:0] = 110$ $1.8 \text{ V} < V_{COIN} < 3.3 \text{ V}$, $VSNVSVOLT[2:0] = [000] - [101]$ ⁽⁶⁵⁾	V_{SNVS}	-5.0% -8.0%	3.0 1.0 - 1.8	7.0% 7.0%	V
Dropout Voltage $2.85 \text{ V} < V_{IN} < 2.9 \text{ V}$, $VSNVSVOLT[2:0] = 110$ $5.0 \mu\text{A} < I_{SNVS} < 400 \mu\text{A}$	$VSNVSDROP$	–	–	50	mV
Current Limit $V_{IN} > V_{TH1}$, $VSNVSVOLT[2:0] = 110$ $V_{IN} > V_{TL0}$, $VSNVSVOLT[2:0] = 000$ to 101 $V_{IN} < V_{TL0}$, $VSNVSVOLT[2:0] = 000$ to 101	$ISNVSLIM$	750 500 480	– – –	5900 5900 3600	μ A
V_{IN} Threshold (Coin Cell Powered to V_{IN} Powered) V_{IN} going high with valid coin cell $VSNVSVOLT[2:0] = 000, 001, 010, 011, 100, 101$	V_{TH0}	2.25	2.40	2.50	V
V_{IN} Threshold (V_{IN} Powered to Coin Cell Powered) V_{IN} going low with valid coin cell $VSNVSVOLT[2:0] = 000, 001, 010, 011, 100, 101$	V_{TL0}	2.20	2.35	2.45	V
V_{IN} Threshold Hysteresis for V_{TH1} - V_{TL1}	V_{HYST1}	5.0	–	–	mV
V_{IN} Threshold Hysteresis for V_{TH0} - V_{TL0}	V_{HYST0}	5.0	–	–	mV
Output Voltage During Crossover $VSNVSVOLT[2:0] = 110$ $V_{COIN} > 2.9 \text{ V}$ Switch to LDO: $V_{IN} > 2.825 \text{ V}$, $I_{SNVS} = 100 \mu\text{A}$ LDO to Switch: $V_{IN} < 3.05 \text{ V}$, $I_{SNVS} = 100 \mu\text{A}$	$VSNVSCROSS$	2.80	–	–	V

Table 110. VSNVS Electrical Characteristics

All parameters are specified at $T_A = -40$ to 85 °C, $V_{IN} = 3.6$ V, $V_{SNVS} = 3.0$ V, $I_{SNVS} = 5.0$ μ A, typical external component values, unless otherwise noted. Typical values are characterized at $V_{IN} = 3.6$ V, $V_{SNVS} = 3.0$ V, $I_{SNVS} = 5.0$ μ A, and 25 °C, unless otherwise noted.

Parameter	Symbol	Min	Typ	Max	Unit
VSNVS AC AND TRANSIENT					
Turn-on Time ⁽⁶⁴⁾ (Load capacitor, 0.47 μ F) $V_{COIN} = 3.0$ V to 90% of V_{SNVS} $V_{IN} = 0.0$ V, $I_{SNVS} = 5.0$ μ A $V_{SNVSVOLT}[2:0] = 000$ to 110 $V_{IN} = V_{TH0}$ to 90% of V_{SNVS} $V_{COIN} = 0.0$ V, $I_{SNVS} = 5.0$ μ A $V_{SNVSVOLT}[2:0] = 000$ to 110	$t_{ON_{SNVS}}$	–	–	24	ms
Start-up Overshoot $V_{SNVSVOLT}[2:0] = 000$ to 110 $I_{SNVS} = 5.0$ μ A $dV_{IN}/dt = 50$ mV/ μ s	$V_{SNVSOSH}$	–	40	70	mV
Transient Line Response $I_{SNVS} = 75\%$ of $I_{SNVS_{MAX}}$ 3.2 V < V_{IN} < 4.5 V, $V_{SNVSVOLT}[2:0] = 110$ 2.45 V < V_{IN} < 4.5 V, $V_{SNVSVOLT}[2:0] = [000] - [101]$	$V_{SNVSLITR}$	– –	32 22	– –	mV
Transient Load Response $V_{SNVSVOLT}[2:0] = 110$ 3.1 V (UVDETL) < $V_{IN} \leq 4.5$ V $I_{SNVS} = 75$ to 750 μ A $V_{SNVSVOLT}[2:0] = 000$ to 101 2.45 V < $V_{IN} \leq 4.5$ V $V_{TL0} > V_{IN}$, 1.8 V $\leq V_{COIN} \leq 3.3$ V $I_{SNVS} = 40$ to 400 μ A Refer to Figure 24	$V_{SNVSLOTR}$	2.8 –	– 1.0	– 2.0	V %
VSNVS DC, SWITCH					
Operating Input voltage Valid Coin Cell range	V_{INSNVS}	1.8	–	3.3	V
Operating Load Current	I_{SNVS}	5.0	–	400	μ A
Internal Switch R_{dson} $V_{COIN} = 2.6$ V	$R_{DSONSNVS}$	–	–	100	Ω
V_{IN} Threshold (V_{IN} Powered to Coin Cell Powered) $V_{SNVSVOLT}[2:0] = 110$	VTL1	2.825	2.90	3.00	V
V_{IN} Threshold (Coin Cell Powered to V_{IN} Powered) $V_{SNVSVOLT}[2:0] = 110$	VTH1	2.85	2.95	3.05	V

Notes

63. Current required by i.MX6X SNVS domain may change.
64. The start-up of VSNVS is not monotonic. It first rises to 1.0 V and then settles to its programmed value within the specified t_{r1} time.
65. For 1.8 V I_{SNVS} limited to 100 μ A for $V_{COIN} < 2.1$ V

7.4.7.1 Coin Cell Battery Backup

The LICELL pin provides for a connection of a coin cell backup battery or a “super” capacitor. If the voltage at VIN goes below the V_{IN} threshold (V_{TL1} and V_{TL0}), contact-bounced, or removed, the coin cell maintained logic will be powered by the voltage applied to LICELL. A small capacitor should be placed from LICELL to ground under all circumstances.

Coin Cell Charger Control

The coin cell charger circuit will function as a current-limited voltage source, resulting in the CC/CV taper characteristic typically used for rechargeable Lithium-Ion batteries. The coin cell charger is enabled via the COINCHEN bit while the coin cell voltage is programmable through the VCOIN[2:0] bits on register COINCTL on [Table 112](#). The coin cell charger voltage is programmable. In the ON state, the charger current is fixed at ICOINHI. In Sleep and Standby modes, the charger current is fixed at ICOINLO as indicated in [Table 114](#). In the OFF state, coin cell charging is not available as the main battery could be depleted unnecessarily. The coin cell charging will be stopped when V_{IN} is below UVDET.

Table 111. Coin Cell Charger Voltage

VCOIN[2:0]	V_{COIN} (V) ⁽⁶⁶⁾
000	2.50
001	2.70
010	2.80
011	2.90
100	3.00
101	3.10
110	3.20
111	3.30

Notes

66. Coin cell voltages selected based on the type of LICELL used on the system.

Table 112. Register COINCTL - ADDR 0x1A

Name	Bit #	R/W	Default	Description
VCOIN	2:0	R/W	0x00	Coin cell charger output voltage selection. See Table 111 for all options selectable through these bits.
COINCHEN	3	R/W	0x00	Enable or disable the Coin cell charger
UNUSED	7:4	–	0x00	UNUSED

External Components

Table 113. Coin Cell Charger External Components

Component	Value	Units
LICELL Bypass Capacitor	100	nF
LICELL Bypass Capacitor as coin cell replacement	4.7	μ F

Coin Cell Specifications

Table 114. Coin Cell Charger Specifications

Parameter	Typ	Unit
Voltage Accuracy	100	mV
Coin Cell Charge Current in On mode ICOINH1	60	μA
Current Accuracy	30	%

7.5 Control Interface I²C Block Description

The PF0100 contains an I²C interface port which allows access by a processor, or any I²C master, to the register set. Via these registers the resources of the IC can be controlled. The registers also provide status information about how the IC is operating.

7.5.1 I²C Device ID

I²C interface protocol requires a device ID for addressing the target IC on a multi-device bus. To allow flexibility in addressing for bus conflict avoidance, fuse programmability is provided to allow configuration for the lower 3 address LSB(s). Refer to [One Time Programmability \(OTP\)](#) for more details. This product supports 7-bit addressing only; support is not provided for 10-bit or general call addressing. Note, when the TBB bits for the I²C slave address are written, the next access to the chip, must then use the new slave address; these bits take affect right away.

7.5.2 I²C Operation

The I²C mode of the interface is implemented generally following the Fast mode definition which supports up to 400 kbits/s operation (exceptions to the standard are noted to be 7-bit only addressing and no support for General Call addressing.) Timing diagrams, electrical specifications, and further details can be found in the I²C specification, which is available for download at: http://www.nxp.com/acrobat_download/literature/9398/39340011.pdf

I²C read operations are also performed in byte increments separated by an ACK. Read operations also begin with the MSB and each byte will be sent out unless a STOP command or NACK is received prior to completion.

The following examples show how to write and read data to and from the IC. The host initiates and terminates all communication. The host sends a master command packet after driving the start condition. The device will respond to the host if the master command packet contains the corresponding slave address. In the following examples, the device is shown always responding with an ACK to transmissions from the host. If at any time a NACK is received, the host should terminate the current transaction and retry the transaction.

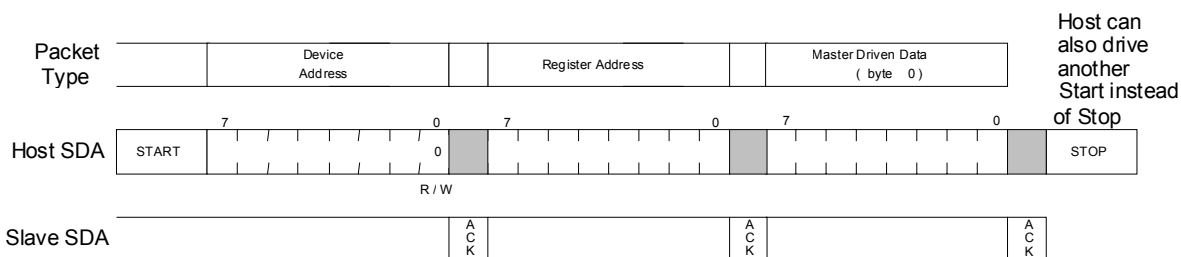


Figure 26. I²C Write Example

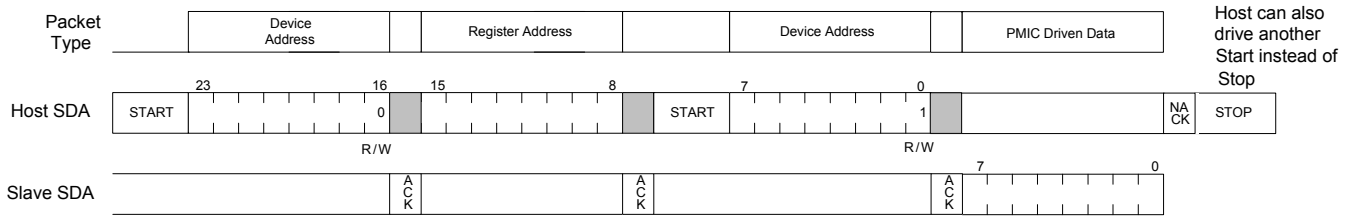


Figure 27. I²C Read Example

7.5.3 Interrupt Handling

The system is informed about important events based on interrupts. Unmasked interrupt events are signaled to the processor by driving the INTB pin low.

Each interrupt is latched so that even if the interrupt source becomes inactive, the interrupt will remain set until cleared. Each interrupt can be cleared by writing a “1” to the appropriate bit in the Interrupt Status register; this will also cause the INTB pin to go high. If there are multiple interrupt bits set the INTB pin will remain low until all are either masked or cleared. If a new interrupt occurs while the processor clears an existing interrupt bit, the INTB pin will remain low.

Each interrupt can be masked by setting the corresponding mask bit to a 1. As a result, when a masked interrupt bit goes high, the INTB pin will not go low. A masked interrupt can still be read from the Interrupt Status register. This gives the processor the option of polling for status from the IC. The IC powers up with all interrupts masked, so the processor must initially poll the device to determine if any interrupts are active. Alternatively, the processor can unmask the interrupt bits of interest. If a masked interrupt bit was already high, the INTB pin will go low after unmasking.

The sense registers contain status and input sense bits so the system processor can poll the current state of interrupt sources. They are read only, and not latched or clearable.

Interrupts generated by external events are debounced; therefore, the event needs to be stable throughout the debounce period before an interrupt is generated. Nominal debounce periods for each event are documented in the INT summary [Table 115](#). Due to the asynchronous nature of the debounce timer, the effective debounce time can vary slightly.

7.5.4 Interrupt Bit Summary

[Table 115](#) summarizes all interrupt, mask, and sense bits associated with INTB control. For more detailed behavioral descriptions, refer to the related chapters.

Table 115. Interrupt, Mask and Sense Bits

Interrupt	Mask	Sense	Purpose	Trigger	Debounce Time (ms)
LOWVINI	LOWVINM	LOWVINS	Low Input Voltage Detect Sense is 1 if below 2.80 V threshold	H to L	3.9 ⁽⁶⁷⁾
PWRONI	PWRONM	PWRONS	Power on button event	H to L	31.25 ⁽⁶⁷⁾
			Sense is 1 if PWRON is high.	L to H	31.25
THERM110	THERM110M	THERM110S	Thermal 110 °C threshold Sense is 1 if above threshold	Dual	3.9
THERM120	THERM120M	THERM120S	Thermal 120 °C threshold Sense is 1 if above threshold	Dual	3.9
THERM125	THERM125M	THERM125S	Thermal 125 °C threshold Sense is 1 if above threshold	Dual	3.9
THERM130	THERM130M	THERM130S	Thermal 130 °C threshold Sense is 1 if above threshold	Dual	3.9
SW1AFAULTI	SW1AFAULTM	SW1AFAULTS	Regulator 1A over-current limit Sense is 1 if above current limit	L to H	8.0
SW1BFAULTI	SW1BFAULTM	SW1BFAULTS	Regulator 1B over-current limit Sense is 1 if above current limit	L to H	8.0

Table 115. Interrupt, Mask and Sense Bits

Interrupt	Mask	Sense	Purpose	Trigger	Debounce Time (ms)
SW1CFAULTI	SW1CFAULTM	SW1CFAULTS	Regulator 1C over-current limit Sense is 1 if above current limit	L to H	8.0
SW2FAULTI	SW2FAULTM	SW2FAULTS	Regulator 2 over-current limit Sense is 1 if above current limit	L to H	8.0
SW3AFAULTI	SW3AFAULTM	SW3AFAULTS	Regulator 3A over-current limit Sense is 1 if above current limit	L to H	8.0
SW3BFAULTI	SW3BFAULTM	SW3BFAULTS	Regulator 3B over-current limit Sense is 1 if above current limit	L to H	8.0
SW4FAULTI	SW4FAULTM	SW4FAULTS	Regulator 4 over-current limit Sense is 1 if above current limit	L to H	8.0
SWBSTFAULTI	SWBSTFAULTM	SWBSTFAULTS	SWBST over-current limit Sense is 1 if above current limit	L to H	8.0
VGEN1FAULTI	VGEN1FAULTM	VGEN1FAULTS	VGEN1 over-current limit Sense is 1 if above current limit	L to H	8.0
VGEN2FAULTI	VGEN2FAULTM	VGEN2FAULTS	VGEN2 over-current limit Sense is 1 if above current limit	L to H	8.0
VGEN3FAULTI	VGEN3FAULTM	VGEN3FAULTS	VGEN3 over-current limit Sense is 1 if above current limit	L to H	8.0
VGEN4FAULTI	VGEN4FAULTM	VGEN4FAULTS	VGEN4 over-current limit Sense is 1 if above current limit	L to H	8.0
VGEN5FAULTI	VGEN5FAULTM	VGEN1FAULTS	VGEN5 over-current limit Sense is 1 if above current limit	L to H	8.0
VGEN6FAULTI	VGEN6FAULTM	VGEN6FAULTS	VGEN6 over-current limit Sense is 1 if above current limit	L to H	8.0
OTP_ECCI	OTP_ECCM	OTP_ECCS	1 or 2 bit error detected in OTP registers Sense is 1 if error detected	L to H	8.0

Notes

- 67. Debounce timing for the falling edge can be extended with PWRONDBNC[1:0].

A full description of all interrupt, mask, and sense registers is provided in [Tables 116](#) to [127](#).

Table 116. Register INTSTAT0 - ADDR 0x05

Name	Bit #	R/W	Default	Description
PWRONI	0	R/W1C	0	Power on interrupt bit
LOWVINI	1	R/W1C	0	Low-voltage interrupt bit
THERM110I	2	R/W1C	0	110 °C Thermal interrupt bit
THERM120I	3	R/W1C	0	120 °C Thermal interrupt bit
THERM125I	4	R/W1C	0	125 °C Thermal interrupt bit
THERM130I	5	R/W1C	0	130 °C Thermal interrupt bit
UNUSED	7:6	–	00	Unused

Table 117. Register INTMASK0 - ADDR 0x06

Name	Bit #	R/W	Default	Description
PWRONM	0	R/W1C	0	Power on interrupt mask bit
LOWVINM	1	R/W1C	0	Low-voltage interrupt mask bit
THERM110M	2	R/W1C	0	110 °C Thermal interrupt mask bit
THERM120M	3	R/W1C	0	120 °C Thermal interrupt mask bit
THERM125M	4	R/W1C	0	125 °C Thermal interrupt mask bit
THERM130M	5	R/W1C	0	130 °C Thermal interrupt mask bit
UNUSED	7:6	–	00	Unused

Table 118. Register INTSENSE0 - ADDR 0x07

Name	Bit #	R/W	Default	Description
PWRONS	0	R	0	Power on sense bit 0 = PWRON low 1 = PWRON high
LOWVINS	1	R	0	Low voltage sense bit 0 = VIN > 2.8 V 1 = VIN ≤ 2.8 V
THERM110S	2	R	0	110 °C Thermal sense bit 0 = Below threshold 1 = Above threshold
THERM120S	3	R	0	120 °C Thermal sense bit 0 = Below threshold 1 = Above threshold
THERM125S	4	R	0	125 °C Thermal sense bit 0 = Below threshold 1 = Above threshold
THERM130S	5	R	0	130 °C Thermal sense bit 0 = Below threshold 1 = Above threshold
UNUSED	6	–	0	Unused
VDDOTPS	7	R	00	Additional VDDOTP voltage sense pin 0 = VDDOTP grounded 1 = VDDOTP to VCOREDIG or greater

Table 119. Register INTSTAT1 - ADDR 0x08

Name	Bit #	R/W	Default	Description
SW1AFAULTI	0	R/W1C	0	SW1A Over-current interrupt bit
SW1BFAULTI	1	R/W1C	0	SW1B Over-current interrupt bit
SW1CFAULTI	2	R/W1C	0	SW1C Over-current interrupt bit
SW2FAULTI	3	R/W1C	0	SW2 Over-current interrupt bit
SW3AFAULTI	4	R/W1C	0	SW3A Over-current interrupt bit
SW3BFAULTI	5	R/W1C	0	SW3B Over-current interrupt bit
SW4FAULTI	6	R/W1C	0	SW4 Over-current interrupt bit
UNUSED	7	–	0	Unused

Table 120. Register INTMASK1 - ADDR 0x09

Name	Bit #	R/W	Default	Description
SW1AFAULTM	0	R/W	1	SW1A Over-current interrupt mask bit
SW1BFAULTM	1	R/W	1	SW1B Over-current interrupt mask bit
SW1CFAULTM	2	R/W	1	SW1C Over-current interrupt mask bit
SW2FAULTM	3	R/W	1	SW2 Over-current interrupt mask bit
SW3AFAULTM	4	R/W	1	SW3A Over-current interrupt mask bit
SW3BFAULTM	5	R/W	1	SW3B Over-current interrupt mask bit
SW4FAULTM	6	R/W	1	SW4 Over-current interrupt mask bit
UNUSED	7	–	0	Unused

Table 121. Register INTSENSE1 - ADDR 0x0A

Name	Bit #	R/W	Default	Description
SW1AFAULTS	0	R	0	SW1A Over-current sense bit 0 = Normal operation 1 = Above current limit
SW1BFAULTS	1	R	0	SW1B Over-current sense bit 0 = Normal operation 1 = Above current limit
SW1CFAULTS	2	R	0	SW1C Over-current sense bit 0 = Normal operation 1 = Above current limit
SW2FAULTS	3	R	0	SW2 Over-current sense bit 0 = Normal operation 1 = Above current limit
SW3AFAULTS	4	R	0	SW3A Over-current sense bit 0 = Normal operation 1 = Above current limit
SW3BFAULTS	5	R	0	SW3B Over-current sense bit 0 = Normal operation 1 = Above current limit
SW4FAULTS	6	R	0	SW4 Over-current sense bit 0 = Normal operation 1 = Above current limit
UNUSED	7	–	0	Unused

Table 122. Register INTSTAT3 - ADDR 0x0E

Name	Bit #	R/W	Default	Description
SWBSTFAULTI	0	R/W1C	0	SWBST over-current limit interrupt bit
UNUSED	6:1	–	0x00	Unused
OTP_ECCI	7	R/W1C	0	OTP error interrupt bit

Table 123. Register INTMASK3 - ADDR 0x0F

Name	Bit #	R/W	Default	Description
SWBSTFAULTM	0	R/W	1	SWBST over-current limit interrupt mask bit
UNUSED	6:1	–	0x00	Unused
OTP_ECCM	7	R/W	1	OTP error interrupt mask bit

Table 124. Register INTSENSE3 - ADDR 0x10

Name	Bit #	R/W	Default	Description
SWBSTFAULTS	0	R	0	SWBST over-current limit sense bit 0 = Normal operation 1 = Above current limit
UNUSED	6:1	–	0x00	Unused
OTP_ECCS	7	R	0	OTP error sense bit 0 = No error detected 1 = OTP error detected

Table 125. Register INTSTAT4 - ADDR 0x11

Name	Bit #	R/W	Default	Description
VGEN1FAULTI	0	R/W1C	0	VGEN1 Over-current interrupt bit
VGEN2FAULTI	1	R/W1C	0	VGEN2 Over-current interrupt bit
VGEN3FAULTI	2	R/W1C	0	VGEN3 Over-current interrupt bit
VGEN4FAULTI	3	R/W1C	0	VGEN4 Over-current interrupt bit
VGEN5FAULTI	4	R/W1C	0	VGEN5 Over-current interrupt bit
VGEN6FAULTI	5	R/W1C	0	VGEN6 Over-current interrupt bit
UNUSED	7:6	–	00	Unused

Table 126. Register INTMASK4 - ADDR 0x12

Name	Bit #	R/W	Default	Description
VGEN1FAULTM	0	R/W	1	VGEN1 Over-current interrupt mask bit
VGEN2FAULTM	1	R/W	1	VGEN2 Over-current interrupt mask bit
VGEN3FAULTM	2	R/W	1	VGEN3 Over-current interrupt mask bit
VGEN4FAULTM	3	R/W	1	VGEN4 Over-current interrupt mask bit
VGEN5FAULTM	4	R/W	1	VGEN5 Over-current interrupt mask bit
VGEN6FAULTM	5	R/W	1	VGEN6 Over-current interrupt mask bit
UNUSED	7:6	–	00	Unused

Table 127. Register INTSENSE4 - ADDR 0x13

Name	Bit #	R/W	Default	Description
VGEN1FAULTS	0	R	0	VGEN1 Over-current sense bit 0 = Normal operation 1 = Above current limit
VGEN2FAULTS	1	R	0	VGEN2 Over-current sense bit 0 = Normal operation 1 = Above current limit
VGEN3FAULTS	2	R	0	VGEN3 Over-current sense bit 0 = Normal operation 1 = Above current limit
VGEN4FAULTS	3	R	0	VGEN4 Over-current sense bit 0 = Normal operation 1 = Above current limit
VGEN5FAULTS	4	R	0	VGEN5 Over-current sense bit 0 = Normal operation 1 = Above current limit
VGEN6FAULTS	5	R	0	VGEN6 Over-current sense bit 0 = Normal operation 1 = Above current limit
UNUSED	7:6	–	00	Unused

7.5.5 Specific Registers

7.5.5.1 IC and Version Identification

The IC and other version details can be read via identification bits. These are hard-wired on chip and described in [Tables 128 to 130](#).

Table 128. Register DEVICEID - ADDR 0x00

Name	Bit #	R/W	Default	Description
DEVICEID	3:0	R	0x00	Die version. 0000 = PF0100
UNUSED	7:4	–	0	Unused

Table 129. Register SILICON REV- ADDR 0x03

Name	Bit #	R/W	Default	Description
METAL_LAYER_REV	3:0	R	0x00	Represents the metal mask revision Pass 0.0 = 0000 . . Pass 0.15 = 1111
FULL_LAYER_REV	7:4	R	0x01	Represents the full mask revision Pass 1.0 = 0001 . . Pass 15.0 = 1111

Table 130. Register FABID - ADDR 0x04

Name	Bit #	R/W	Default	Description
FIN	1:0	R	0x00	Allows for characterizing different options within the same reticule Pass 1.0 = 00
FAB	3:2	R	0x00	Represents the wafer manufacturing facility Pass 1.0 = 00
Unused	7:0	R	0x00	Unused

7.5.5.2 Embedded Memory

There are four register banks of general purpose embedded memory to store critical data. The data written to MEMA[7:0], MEMB[7:0], MEMC[7:0], and MEMD[7:0] is maintained by the coin cell when the main battery is deeply discharged, removed, or contact-bounced. The contents of the embedded memory are reset by COINPORB. The banks can be used for any system need for bit retention with coin cell backup.

Table 131. Register MEMA ADDR 0x1C

Name	Bit #	R/W	Default	Description
MEMA	7:0	R/W	0	Memory bank A

Table 132. Register MEMB ADDR 0x1D

Name	Bit #	R/W	Default	Description
MEMB	7:0	R/W	0	Memory bank B

Table 133. Register MEMC ADDR 0x1E

Name	Bit #	R/W	Default	Description
MEMC	7:0	R/W	0	Memory bank C

Table 134. Register MEMD ADDR 0x1F

Name	Bit #	R/W	Default	Description
MEMD	7:0	R/W	0	Memory bank D

7.5.6 Register Bitmap

The register map is comprised of thirty-two pages, and its address and data fields are each eight bits wide. Only the first two pages can be accessed. On each page, registers 0 to 0x7F are referred to as 'functional', and registers 0x80 to 0xFF as 'extended'. On each page, the functional registers are the same, but the extended registers are different. To access registers on [Extended Page 1](#), one must first write 0x01 to the page register at address 0x7F, and to access registers [Extended Page 2](#), one must first write 0x02 to the page register at address 0x7F. To access the [Functional Page](#) from one of the extended pages, no write to the page register is necessary.

Registers that are missing in the sequence are reserved; reading from them will return a value 0x00, and writing to them will have no effect.

The contents of all registers are given in the tables defined in this chapter; each table is structure as follows:

Name: Name of the bit.

Bit #: The bit location in the register (7-0)

R/W: Read / Write access and control

- R is read-only access
- R/W is read and write access
- RW1C is read and write access with write 1 to clear

Reset: Reset signals are color coded based on the following legend.

Bits reset by SC and VCOREDIG_PORB
Bits reset by PWRON or loaded default or OTP configuration
Bits reset by DIGRESETB
Bits reset by PORB or RESETBMCU
Bits reset by VCOREDIG_PORB
Bits reset by POR or OFFB

Default: The value after reset, as noted in the Default column of the memory map.

- Fixed defaults are explicitly declared as 0 or 1.
- "X" corresponds to Read / Write bits that are initialized at start-up, based on the OTP fuse settings or default if VDDOTP = 1.5 V. Bits are subsequently I²C modifiable, when their reset has been released. "X" may also refer to bits that may have other dependencies. For example, some bits may depend on the version of the IC, or a value from an analog block, for instance the sense bits for the interrupts.

7.5.6.1 Register map

Table 135. Functional Page

Add	Register Name	R/W	Default	BITS[7:0]							
				7	6	5	4	3	2	1	0
00	DeviceID	R	8'b0001_0000	–	–	–	–	DEVICE ID [3:0]			
				0	0	0	1	0	0	0	0
03	SILICONREVID	R	8'b0001_0000	FULL_LAYER_REV[3:0]				METAL_LAYER_REV[3:0]			
				0	0	0	1	0	0	0	0
04	FABID	R	8'b0000_0000	–	–	–	–	FAB[1:0]		FIN[1:0]	
				0	0	0	0	0	0	0	0
05	INTSTAT0	RW1C	8'b0000_0000	–	–	THERM130I	THERM125I	THERM120I	THERM110I	LOWVINI	PWRONI
				0	0	0	0	0	0	0	0

Table 135. Functional Page

Add	Register Name	R/W	Default	BITS[7:0]							
				7	6	5	4	3	2	1	0
06	INTMASK0	R/W	8'b0011_1111	–	–	THERM130M	THERM125M	THERM120M	THERM110M	LOWVINM	PWRONM
				0	0	1	1	1	1	1	1
07	INTSENSE0	R	8'b00xx_xxxx	VDDOTPS	RSVD	THERM130S	THERM125S	THERM120S	THERM110S	LOWVINS	PWRONS
				0	0	x	x	x	x	x	x
08	INTSTAT1	RW1C	8'b0000_0000	–	SW4FAULTI	SW3BFAULTI	SW3AFAULTI	SW2FAULTI	SW1CFAULTI	SW1BFAULTI	SW1AFAULTI
				0	0	0	0	0	0	0	0
09	INTMASK1	R/W	8'b0111_1111	–	SW4FAULTM	SW3BFAULTM	SW3AFAULTM	SW2FAULTM	SW1CFAULTM	SW1BFAULTM	SW1AFAULTM
				0	1	1	1	1	1	1	1
0A	INTSENSE1	R	8'b0xxx_xxxx	–	SW4FAULTS	SW3BFAULTS	SW3AFAULTS	SW2FAULTS	SW1CFAULTS	SW1BFAULTS	SW1AFAULTS
				0	x	x	x	x	x	x	x
0E	INTSTAT3	RW1C	8'b0000_0000	OTP_ECCI	–	–	–	–	–	–	SWBSTFAULTI
				0	0	0	0	0	0	0	0
0F	INTMASK3	R/W	8'b1000_0001	OTP_ECCM	–	–	–	–	–	–	SWBSTFAULTM
				1	0	0	0	0	0	0	0
10	INTSENSE3	R	8'b0000_000x	OTP_ECCS	–	–	–	–	–	–	SWBSTFAULTS
				0	0	0	0	0	0	0	0
11	INTSTAT4	RW1C	8'b0000_0000	–	–	VGEN6FAULTI	VGEN5FAULTI	VGEN4FAULTI	VGEN3FAULTI	VGEN2FAULTI	VGEN1FAULTI
				0	0	0	0	0	0	0	0
12	INTMASK4	R/W	8'b0011_1111	–	–	VGEN6FAULTM	VGEN5FAULTM	VGEN4FAULTM	VGEN3FAULTM	VGEN2FAULTM	VGEN1FAULTM
				0	0	1	1	1	1	1	1
13	INTSENSE4	R	8'b00xx_xxxx	–	–	VGEN6FAULTS	VGEN5FAULTS	VGEN4FAULTS	VGEN3FAULTS	VGEN2FAULTS	VGEN1FAULTS
				0	0	x	x	x	x	x	x
1A	COINCTL	R/W	8'b0000_0000	–	–	–	–	COINCHEN	VCOIN[2:0]		
				0	0	0	0	0	0	0	0
1B	PWRCTL	R/W	8'b0001_0000	REGSCPEN	STANDBYINV	STBYDLY[1:0]		PWRONBDBNC[1:0]		PWRONRSTEN	RESTARTEN
				0	0	0	1	0	0	0	0
1C	MEMA	R/W	8'b0000_0000	MEMA[7:0]							
				0	0	0	0	0	0	0	0
1D	MEMB	R/W	8'b0000_0000	MEMB[7:0]							
				0	0	0	0	0	0	0	0
1E	MEMC	R/W	8'b0000_0000	MEMC[7:0]							
				0	0	0	0	0	0	0	0
1F	MEMD	R/W	8'b0000_0000	MEMD[7:0]							
				0	0	0	0	0	0	0	0

Table 135. Functional Page

Add	Register Name	R/W	Default	BITS[7:0]							
				7	6	5	4	3	2	1	0
20	SW1ABVOLT	R/W/M	8'b00xx_xxxx	–	–	SW1AB[5:0]					
				0	0	x	x	x	x	x	x
21	SW1ABSTBY	R/W	8'b00xx_xxxx	–	–	SW1ABSTBY[5:0]					
				0	0	x	x	x	x	x	x
22	SW1ABOFF	R/W	8'b00xx_xxxx	–	–	SW1ABOFF[5:0]					
				0	0	x	x	x	x	x	x
23	SW1ABMODE	R/W	8'b0000_1000	–	–	SW1ABOMODE	–	SW1ABMODE[3:0]			
				0	0	0	0	1	0	0	0
24	SW1ABCONF	R/W	8'bx00_xx00	SW1ABDVSSPEED[1:0]		SW1BAPHASE[1:0]		SW1ABFREQ[1:0]		–	SW1ABILIM
				x	x	0	0	x	x	0	0
2E	SW1CVOLT	R/W	8'b00xx_xxxx	–	–	SW1C[5:0]					
				0	0	x	x	x	x	x	x
2F	SW1CSTBY	R/W	8'b00xx_xxxx	–	–	SW1CSTBY[5:0]					
				0	0	x	x	x	x	x	x
30	SW1COFF	R/W	8'b00xx_xxxx	–	–	SW1COFF[5:0]					
				0	0	x	x	x	x	x	x
31	SW1CMODE	R/W	8'b0000_1000	–	–	SW1COMODE	–	SW1CMODE[3:0]			
				0	0	0	0	1	0	0	0
32	SW1CCONF	R/W	8'bx00_xx00	SW1CDVSSPEED[1:0]		SW1CPHASE[1:0]		SW1CFREQ[1:0]		–	SW1CILIM
				x	x	0	0	x	x	0	0
35	SW2VOLT	R/W	8'b0xxx_xxxx	–	SW2[6:0]						
				0	x	x	x	x	x	x	x
36	SW2STBY	R/W	8'b0xxx_xxxx	–	SW2STBY[6:0]						
				0	x	x	x	x	x	x	x
37	SW2OFF	R/W	8'b0xxx_xxxx	–	SW2OFF[6:0]						
				0	x	x	x	x	x	x	x
38	SW2MODE	R/W	8'b0000_1000	–	–	SW2OMODE	–	SW2MODE[3:0]			
				0	0	0	0	1	0	0	0
39	SW2CONF	R/W	8'bx01_xx00	SW2DVSSPEED[1:0]		SW2PHASE[1:0]		SW2FREQ[1:0]		–	SW2ILIM
				x	x	0	1	x	x	0	0
3C	SW3AVOLT	R/W	8'b0xxx_xxxx	–	SW3A[6:0]						
				0	x	x	x	x	x	x	x
3D	SW3ASTBY	R/W	8'b0xxx_xxxx	–	SW3ASTBY[6:0]						
				0	x	x	x	x	x	x	x

Table 135. Functional Page

Add	Register Name	R/W	Default	BITS[7:0]								
				7	6	5	4	3	2	1	0	
3E	SW3AOFF	R/W	8'b0xxx_xxxx	–	SW3AOFF[6:0]							
				0	x	x	x	x	x	x	x	x
3F	SW3AMODE	R/W	8'b0000_1000	–	SW3AOMODE			–	SW3AMODE[3:0]			
				0	0	0	0	1	0	0	0	0
40	SW3ACONF	R/W	8'bxx10_xx00	SW3ADVSSPEED[1:0]		SW3APHASE[1:0]		SW3AFREQ[1:0]		–	SW3AILIM	
				x	x	1	0	x	x	0	0	
43	SW3BVOLT	R/W	8'b0xxx_xxxx	–	SW3B[6:0]							
				0	x	x	x	x	x	x	x	x
44	SW3BSTBY	R/W	8'b0xxx_xxxx	–	SW3BSTBY[6:0]							
				0	x	x	x	x	x	x	x	x
45	SW3BOFF	R/W	8'b0xxx_xxxx	–	SW3BOFF[6:0]							
				0	x	x	x	x	x	x	x	x
46	SW3BMODE	R/W	8'b0000_1000	–	–	SW3BOMODE		–	SW3BMODE[3:0]			
				0	0	0	0	1	0	0	0	0
47	SW3BCONF	R/W	8'bxx10_xx00	SW3BDVSSPEED[1:0]		SW3BPHASE[1:0]		SW3BFREQ[1:0]		–	SW3BILIM	
				x	x	1	0	x	x	0	0	
4A	SW4VOLT	R/W	8'b0xxx_xxxx	–	SW4[6:0]							
				0	x	x	x	x	x	x	x	x
4B	SW4STBY	R/W	8'b0xxx_xxxx	–	SW4STBY[6:0]							
				0	x	x	x	x	x	x	x	x
4C	SW4OFF	R/W	8'b0xxx_xxxx	–	SW4OFF[6:0]							
				0	x	x	x	x	x	x	x	x
4D	SW4MODE	R/W	8'b0000_1000	–	–	SW4OMODE		–	SW4MODE[3:0]			
				0	0	0	0	1	0	0	0	0
4E	SW4CONF	R/W	8'bxx11_xx00	SW4DVSSPEED[1:0]		SW4PHASE[1:0]		SW4FREQ[1:0]		–	SW4ILIM	
				x	x	1	1	x	x	0	0	
66	SWBSTCTL	R/W	8'b0xx0_10xx	–	SWBST1STBYMODE[1:0]		–	SWBST1MODE[1:0]		SWBST1VOLT[1:0]		
				0	x	x	0	1	0	x	x	
6A	VREFDDRCTL	R/W	8'b000x_0000	–	–	–	VREFDDREN	–	–	–	–	
				0	0	0	x	0	0	0	0	
6B	VSNV SCTL	R/W	8'b0000_0xxx	–	–	–	–	–	VSNVSVOLT[2:0]			
				0	0	0	0	0	0	0	x	x

Table 135. Functional Page

Add	Register Name	R/W	Default	BITS[7:0]								
				7	6	5	4	3	2	1	0	
6C	VGEN1CTL	R/W	8'b000x_xxxx	–	VGEN1LPWR	VGEN1STBY	VGEN1EN	VGEN1[3:0]				
				0	0	0	x	x	x	x	x	
6D	VGEN2CTL	R/W	8'b000x_xxxx	–	VGEN2LPWR	VGEN2STBY	VGEN2EN	VGEN2[3:0]				
				0	0	0	x	x	x	x	x	
6E	VGEN3CTL	R/W	8'b000x_xxxx	–	VGEN3LPWR	VGEN3STBY	VGEN3EN	VGEN3[3:0]				
				0	0	0	x	x	x	x	x	
6F	VGEN4CTL	R/W	8'b000x_xxxx	–	VGEN4LPWR	VGEN4STBY	VGEN4EN	VGEN4[3:0]				
				0	0	0	x	x	x	x	x	
70	VGEN5CTL	R/W	8'b000x_xxxx	–	VGEN5LPWR	VGEN5STBY	VGEN5EN	VGEN5[3:0]				
				0	0	0	x	x	x	x	x	
71	VGEN6CTL	R/W	8'b000x_xxxx	–	VGEN6LPWR	VGEN6STBY	VGEN6EN	VGEN6[3:0]				
				0	0	0	x	x	x	x	x	
7F	Page Register	R/W	8'b0000_0000	–	–	–	PAGE[4:0]					
				0	0	0	0	0	0	0	0	0

Table 136. Extended Page 1

Address	Register Name	TYPE	Default	BITS[7:0]								
				7	6	5	4	3	2	1	0	
80	OTP FUSE READ EN	R/W	8'b000x_xxx0	–	–	–	–	–	–	–	–	OTP FUSE READ EN
				0	0	0	x	x	x	x	0	
84	OTP LOAD MASK	R/W	8'b0000_0000	START	RL PWBRTN	FORCE PWRCTL	RL PWRCTL	RL OTP	RL OTP ECC	RL OTP FUSE	RL TRIM FUSE	
				0	0	0	0	0	0	0	0	
8A	OTP ECC SE1	R	8'bxxx0_0000	–	–	–	ECC5_SE	ECC4_SE	ECC3_SE	ECC2_SE	ECC1_SE	
				x	x	x	0	0	0	0	0	
8B	OTP ECC SE2	R	8'bxxx0_0000	–	–	–	ECC10_SE	ECC9_SE	ECC8_SE	ECC7_SE	ECC6_SE	
				x	x	x	0	0	0	0	0	
8C	OTP ECC DE1	R	8'bxxx0_0000	–	–	–	ECC5_DE	ECC4_DE	ECC3_DE	ECC2_DE	ECC1_DE	
				x	x	x	0	0	0	0	0	
8D	OTP ECC DE2	R	8'bxxx0_0000	–	–	–	ECC10_DE	ECC9_DE	ECC8_DE	ECC7_DE	ECC6_DE	
				x	x	x	0	0	0	0	0	
A0	OTP SW1AB VOLT	R/W	8'b00xx_xxxx	–	–	SW1AB_VOLT[5:0]						
				0	0	x	x	x	x	x	x	

Table 136. Extended Page 1

Address	Register Name	TYPE	Default	BITS[7:0]								
				7	6	5	4	3	2	1	0	
A1	OTP SW1AB SEQ	R/W	8'b000x_xxx	-	SW1AB_SEQ[4:0]							
				0	0	0	x	x	x	X	x	
A2	OTP SW1AB CONFIG	R/W	8'b0000_xxxx	-	-	-	-	SW1_CONFIG[1:0]		SW1AB_FREQ[1:0]		
				0	0	0	0	x	x	x	x	
A8	OTP SW1C VOLT	R/W	8'b00xx_xxxx	-	-	SW1C_VOLT[5:0]						
				0	0	x	x	x	x	x	x	
A9	OTP SW1C SEQ	R/W	8'b000x_xxxx	-	SW1C_SEQ[4:0]							
				0	0	0	x	x	x	x	x	
AA	OTP SW1C CONFIG	R/W	8'b0000_00xx	-	-	-	-	-	-	SW1C_FREQ[1:0]		
				0	0	0	0	0	0	x	x	
AC	OTP SW2 VOLT	R/W	8'b0xxx_xxxx	-	SW2_VOLT[5:0]							
				0	x	x	x	x	x	x	x	
AD	OTP SW2 SEQ	R/W	8'b000x_xxxx	-	-	SW2_SEQ[4:0]						
				0	0	0	x	x	x	x	x	
AE	OTP SW2 CONFIG	R/W	8'b0000_00xx	-	-	-	-	-	-	SW2_FREQ[1:0]		
				0	0	0	0	0	0	x	x	
B0	OTP SW3A VOLT	R/W	8'b0xxx_xxxx	-	SW3A_VOLT[6:0]							
				0	x	x	x	x	x	x	x	
B1	OTP SW3A SEQ	R/W	8'b000x_xxxx	-	-	SW3A_SEQ[4:0]						
				0	0	0	x	x	x	x	x	
B2	OTP SW3A CONFIG	R/W	8'b0000_xxxx	-	-	-	-	SW3_CONFIG[1:0]		SW3A_FREQ[1:0]		
				0	0	0	0	x	x	x	x	
B4	OTP SW3B VOLT	R/W	8'b0xxx_xxxx	-	SW3B_VOLT[6:0]							
				0	x	x	x	x	x	x	x	
B5	OTP SW3B SEQ	R/W	8'b000x_xxxx	-	-	SW3B_SEQ[4:0]						
				0	0	0	x	x	x	x	x	
B6	OTP SW3B CONFIG	R/W	8'b0000_00xx	-	-	-	-	-	-	SW3B_CONFIG[1:0]		
				0	0	0	0	0	0	x	x	
B8	OTP SW4 VOLT	R/W	8'b00xx_xxxx	-	SW4_VOLT[6:0]							
				0	0	x	x	x	x	x	x	
B9	OTP SW4 SEQ	R/W	8'b000x_xxxx	-	-	-	SW4_SEQ[4:0]					
				0	0	0	x	x	x	x	x	

Table 136. Extended Page 1

Address	Register Name	TYPE	Default	BITS[7:0]							
				7	6	5	4	3	2	1	0
BA	OTP SW4 CONFIG	R/W	8'b000x_xxxx	-	-	-	VTT	-	-	SW4_FREQ[1:0]	
				0	0	0	x	x	x	x	x
BC	OTP SWBST VOLT	R/W	8'b0000_00xx	-	-	-	-	-	-	SWBST_VOLT[1:0]	
				0	0	0	0	0	0	x	x
BD	OTP SWBST SEQ	R/W	8'b0000_xxxx	-	-	-	SWBST_SEQ[4:0]				
				0	0	0	0	x	x	x	x
C0	OTP VSNVS VOLT	R/W	8'b0000_0xxx	-	-	-	-	-	VSNVS_VOLT[2:0]		
				0	0	0	0	0	0	x	x
C4	OTP VREFDDR SEQ	R/W	8'b000x_x0xx	-	-	-	VREFDDR_SEQ[4:0]				
				0	0	0	x	x	0	x	x
C8	OTP VGEN1 VOLT	R/W	8'b0000_xxxx	-	-	-	-	VGEN1_VOLT[3:0]			
				0	0	0	0	x	x	x	x
C9	OTP VGEN1 SEQ	R/W	8'b000x_xxxx	-	-	-	VGEN1_SEQ[4:0]				
				0	0	0	x	x	x	x	x
CC	OTP VGEN2 VOLT	R/W	8'b0000_xxxx	-	-	-	-	VGEN2_VOLT[3:0]			
				0	0	0	0	x	x	x	x
CD	OTP VGEN2 SEQ	R/W	8'b000x_xxxx	-	-	-	VGEN2_SEQ[4:0]				
				0	0	0	x	x	x	x	x
D0	OTP VGEN3 VOLT	R/W	8'b0000_xxxx	-	-	-	-	VGEN3_VOLT[3:0]			
				0	0	0	0	x	x	x	x
D1	OTP VGEN3 SEQ	R/W	8'b000x_xxxx	-	-	-	VGEN3_SEQ[4:0]				
				0	0	0	x	x	x	x	x
D4	OTP VGEN4 VOLT	R/W	8'b0000_xxxx	-	-	-	-	VGEN4_VOLT[3:0]			
				0	0	0	0	x	x	x	x
D5	OTP VGEN4 SEQ	R/W	8'b000x_xxxx	-	-	-	VGEN4_SEQ[4:0]				
				0	0	0	x	x	x	x	x
D8	OTP VGEN5 VOLT	R/W	8'b0000_xxxx	-	-	-	-	VGEN5_VOLT[3:0]			
				0	0	0	0	x	x	x	x
D9	OTP VGEN5 SEQ	R/W	8'b000x_xxxx	-	-	-	VGEN5_SEQ[4:0]				
				0	0	0	x	x	x	x	x

Table 136. Extended Page 1

Address	Register Name	TYPE	Default	BITS[7:0]							
				7	6	5	4	3	2	1	0
DC	OTP VGEN6 VOLT	R/W	8'b0000_xxxx	-	-	-	-	VGEN6_VOLT[3:0]			
				0	0	0	0	x	x	x	x
DD	OTP VGEN6 SEQ	R/W	8'b000x_xxxx	-	-	-	VGEN6_SEQ[4:0]				
				0	0	0	x	x	x	x	x
E0	OTP PU CONFIG1	R/W	8'b000x_xxxx	-	-	-	PWRON_CFG1	SWDVS_CLK1[1:0]		SEQ_CLK_SPEED1[1:0]	
				0	0	0	x	x	x	x	x
E1	OTP PU CONFIG2	R/W	8'b000x_xxxx	-	-	-	PWRON_CFG2	SWDVS_CLK2[1:0]		SEQ_CLK_SPEED2[1:0]	
				0	0	0	x	x	x	x	x
E2	OTP PU CONFIG3	R/W	8'b000x_xxxx	-	-	-	PWRON_CFG3	SWDVS_CLK3[1:0]		SEQ_CLK_SPEED3[1:0]	
				0	0	0	x	x	x	x	x
E3	OTP PU CONFIG XOR	R	8'b000x_xxxx	-	-	-	PWRON_CFG_XOR	SWDVS_CLK3_XOR		SEQ_CLK_SPEED_XOR	
				0	0	0	x	x	x	x	x
E4	OTP FUSE POR1	R/W	8'b0000_00x0	TBB_POR	SOFT_FUSE_POR	-	-	-	-	FUSE_POR1	-
				0	0	0	0	0	0	0	x
E5	OTP FUSE POR1	R/W	8'b0000_00x0	RSVD	RSVD	-	-	-	-	FUSE_POR2	-
				0	0	0	0	0	0	0	x
E6	OTP FUSE POR1	R/W	8'b0000_00x0	RSVD	RSVD	-	-	-	-	FUSE_POR3	-
				0	0	0	0	0	0	0	x
E7	OTP FUSE POR XOR	R	8'b0000_00x0	RSVD	RSVD	-	-	-	-	FUSE_POR_XOR	-
				0	0	0	0	0	0	0	x
E8	OTP PWRGD EN	R/W/M	8'b0000_000x	-	-	-	-	-	-	-	OTP_PG_EN
				0	0	0	0	0	0	0	x
F0	OTP EN ECC0	R/W	8'b000x_xxxx	-	-	-	EN_ECC_BANK5	EN_ECC_BANK4	EN_ECC_BANK3	EN_ECC_BANK2	EN_ECC_BANK1
				0	0	0	x	x	x	x	x
F1	OTP EN ECC1	R/W	8'b000x_xxxx	-	-	-	EN_ECC_BANK10	EN_ECC_BANK9	EN_ECC_BANK8	EN_ECC_BANK7	EN_ECC_BANK6
				0	0	0	x	x	x	x	x
F4	OTP SPARE2_4	R/W	8'b0000_xxxx	-	-	-	-	RSVD			
				0	0	0	0	x	x	x	x
F5	OTP SPARE4_3	R/W	8'b0000_0xxx	-	-	-	-	RSVD			
				0	0	0	0	0	x	x	x

Table 136. Extended Page 1

Address	Register Name	TYPE	Default	BITS[7:0]							
				7	6	5	4	3	2	1	0
F6	OTP SPARE6_2	R/W	8'b0000_00xx	-	-	-	-	-	-	RSVD	
				0	0	0	0	0	0	x	x
F7	OTP SPARE7_1	R/W	8'b0000_0xxx	-	-	-	-	-	-	-	RSVD
				0	0	0	0	0	0	x	x
FE	OTP DONE	R/W	8'b0000_000x	-	-	-	-	-	-	-	OTP_DONE
				0	0	0	0	0	0	0	0
FF	OTP I2C ADDR	R/W	8'b0000_0xxx	-	-	-	-	I2C_SLV_ADDR[3:0]			
				0	0	0	0	1	x	x	x

Table 137. Extended Page 2

Address	Register Name	TYPE	Default	BITS[7:0]							
				7	6	5	4	3	2	1	0
81	SW1AB_PWRSTG	R/W	8'b1111_1111	RSVD	RSVD	RSVD	RSVD	RSVD	SW1AB_PWRSTG[2:0]		
				1	1	1	1	1	1	1	1
82	PWRSTG_RSVD	R	8'b0000_0000	PWRSTGRSVD							
				0	0	0	0	0	0	0	0
83	SW1C_PWRSTG	R	8'b1111_1111	RSVD	RSVD	RSVD	RSVD	RSVD	SW1C_PWRSTG[2:0]		
				1	1	1	1	1	1	1	1
84	SW2_PWRSTG	R	8'b1111_1111	RSVD	RSVD	RSVD	RSVD	RSVD	SW2_PWRSTG[2:0]		
				1	1	1	1	1	1	1	1
85	SW3A_PWRSTG	R	8'b1111_1111	RSVD	RSVD	RSVD	RSVD	RSVD	SW3A_PWRSTG[2:0]		
				1	1	1	1	1	1	1	1
86	SW3B_PWRSTG	R	8'b1111_1111	RSVD	RSVD	RSVD	RSVD	RSVD	SW3B_PWRSTG[2:0]		
				1	1	1	1	1	1	1	1
87	SW4_PWRSTG	R	8'b0111_1111	FSLEXT_THERM_DISABLE	PWRGD_SHDWN_DISABLE	RSVD	RSVD	RSVD	SW4_PWRSTG[2:0]		
				0	0	1	1	1	1	1	1
88	PWRCTRL_OTP_CTRL	R	8'b0000_0001	-	-	-	-	-	PWRGD_EN	OTP_SHDWN_EN	
				0	0	0	0	0	0	0	1
8D	I2C_WRITE_ADDRESS_TRAP	R/W	8'b0000_0000	I2C_WRITE_ADDRESS_TRAP[7:0]							
				0	0	0	0	0	0	0	0
8E	I2C_TRAP_PAGE	R/W	8'b0000_0000	LET_IT_ROLL	RSVD	RSVD	I2C_TRAP_PAGE[4:0]				
				0	0	0	0	0	0	0	0

Table 137. Extended Page 2

Address	Register Name	TYPE	Default	BITS[7:0]							
				7	6	5	4	3	2	1	0
8F	I2C TRAP CNTR	R/W	8'b0000_0000	I2C_WRITE_ADDRESS_COUNTER[7:0]							
				0	0	0	0	0	0	0	0
90	IO DRV	R/W	8'b00xx_xxxx	SDA_DRV[1:0]		SDWNB_DRV[1:0]		INTB_DRV[1:0]		RESETBMCU_DRV[1:0]	
				0	0	x	x	x	x	x	x
D0	OTP AUTO ECC0	R/W	8'b0000_0000	–	–	–	AUTO_ECC_BANK5	AUTO_ECC_BANK4	AUTO_ECC_BANK3	AUTO_ECC_BANK2	AUTO_ECC_BANK1
				0	0	0	0	0	0	0	0
D1	OTP AUTO ECC1	R/W	8'b0000_0000	–	–	–	AUTO_ECC_BANK10	AUTO_ECC_BANK9	AUTO_ECC_BANK8	AUTO_ECC_BANK7	AUTO_ECC_BANK6
				0	0	0	0	0	0	0	0
D8	OTP AUTO PROG0	R/W	8'b0000_0000	PROG_TIME[1:0]		RSVD	AUTO_FUSE_PROG5	AUTO_FUSE_PROG4	AUTO_FUSE_PROG3	AUTO_FUSE_PROG2	AUTO_FUSE_PROG1
				0	0	0	0	0	0	0	0
D9	OTP AUTO PROG1	R/W	8'b0000_0000	START	RELOAD	EN_RW	AUTO_FUSE_PROG10	AUTO_FUSE_PROG9	AUTO_FUSE_PROG8	AUTO_FUSE_PROG7	AUTO_FUSE_PROG6
				0	0	0	0	0	0	0	0
E1	OTP ECC CTRL1	R/W	8'b0000_0000	ECC1_EN_TBB	ECC1_CALC_CIN	ECC1_CIN_TBB[5:0]					
				0	0	0	0	0	0	0	
E2	OTP ECC CTRL2	R/W	8'b0000_0000	ECC2_EN_TBB	ECC2_CALC_CIN	ECC2_CIN_TBB[5:0]					
				0	0	0	0	0	0	0	
E3	OTP ECC CTRL3	R/W	8'b0000_0000	ECC3_EN_TBB	ECC3_CALC_CIN	ECC3_CIN_TBB[5:0]					
				0	0	0	0	0	0	0	
E4	OTP ECC CTRL4	R/W	8'b0000_0000	ECC4_EN_TBB	ECC4_CALC_CIN	ECC4_CIN_TBB[5:0]					
				0	0	0	0	0	0	0	
E5	OTP ECC CTRL5	R/W	8'b0000_0000	ECC5_EN_TBB	ECC5_CALC_CIN	ECC5_CIN_TBB[5:0]					
				0	0	0	0	0	0	0	
E6	OTP ECC CTRL6	R/W	8'b0000_0000	ECC6_EN_TBB	ECC6_CALC_CIN	ECC6_CIN_TBB[5:0]					
				0	0	0	0	0	0	0	
E7	OTP ECC CTRL7	R/W	8'b0000_0000	ECC7_EN_TBB	ECC7_CALC_CIN	ECC7_CIN_TBB[5:0]					
				0	0	0	0	0	0	0	
E8	OTP ECC CTRL8	R/W	8'b0000_0000	ECC8_EN_TBB	ECC8_CALC_CIN	ECC8_CIN_TBB[5:0]					
				0	0	0	0	0	0	0	

Table 137. Extended Page 2

Address	Register Name	TYPE	Default	BITS[7:0]							
				7	6	5	4	3	2	1	0
E9	OTP ECC CTRL9	R/W	8'b0000_0000	ECC9_EN_TBB	ECC9_CALC_CIN	ECC9_CIN_TBB[5:0]					
				0	0	0	0	0	0	0	0
EA	OTP ECC CTRL10	R/W	8'b0000_0000	ECC10_EN_TBB	ECC10_CALC_CIN	ECC10_CIN_TBB[5:0]					
				0	0	0	0	0	0	0	0
F1	OTP FUSE CTRL1	R/W	8'b0000_0000	-	-	-	-	ANTIFUSE1_EN	ANTIFUSE1_LOAD	ANTIFUSE1_RW	BYPASS1
				0	0	0	0	0	0	0	0
F2	OTP FUSE CTRL2	R/W	8'b0000_0000	-	-	-	-	ANTIFUSE2_EN	ANTIFUSE2_LOAD	ANTIFUSE2_RW	BYPASS2
				0	0	0	0	0	0	0	0
F3	OTP FUSE CTRL3	R/W	8'b0000_0000	-	-	-	-	ANTIFUSE3_EN	ANTIFUSE3_LOAD	ANTIFUSE3_RW	BYPASS3
				0	0	0	0	0	0	0	0
F4	OTP FUSE CTRL4	R/W	8'b0000_0000	-	-	-	-	ANTIFUSE4_EN	ANTIFUSE4_LOAD	ANTIFUSE4_RW	BYPASS4
				0	0	0	0	0	0	0	0
F5	OTP FUSE CTRL5	R/W	8'b0000_0000	-	-	-	-	ANTIFUSE5_EN	ANTIFUSE5_LOAD	ANTIFUSE5_RW	BYPASS5
				0	0	0	0	0	0	0	0
F6	OTP FUSE CTRL6	R/W	8'b0000_0000	-	-	-	-	ANTIFUSE6_EN	ANTIFUSE6_LOAD	ANTIFUSE6_RW	BYPASS6
				0	0	0	0	0	0	0	0
F7	OTP FUSE CTRL7	R/W	8'b0000_0000	-	-	-	-	ANTIFUSE7_EN	ANTIFUSE7_LOAD	ANTIFUSE7_RW	BYPASS7
				0	0	0	0	0	0	0	0
F8	OTP FUSE CTRL8	R/W	8'b0000_0000	-	-	-	-	ANTIFUSE8_EN	ANTIFUSE8_LOAD	ANTIFUSE8_RW	BYPASS8
				0	0	0	0	0	0	0	0
F9	OTP FUSE CTRL9	R/W	8'b0000_0000	-	-	-	-	ANTIFUSE9_EN	ANTIFUSE9_LOAD	ANTIFUSE9_RW	BYPASS9
				0	0	0	0	0	0	0	0
FA	OTP FUSE CTRL10	R/W	8'b0000_0000	-	-	-	-	ANTIFUSE10_EN	ANTIFUSE10_LOAD	ANTIFUSE10_RW	BYPASS10
				0	0	0	0	0	0	0	0

8 Typical Applications

8.1 Introduction

Figure 28 provides a typical application diagram of the PF0100 PMIC together with its functional components. For details on component references and additional components such as filters, refer to the individual sections.

8.1.1 Application Diagram

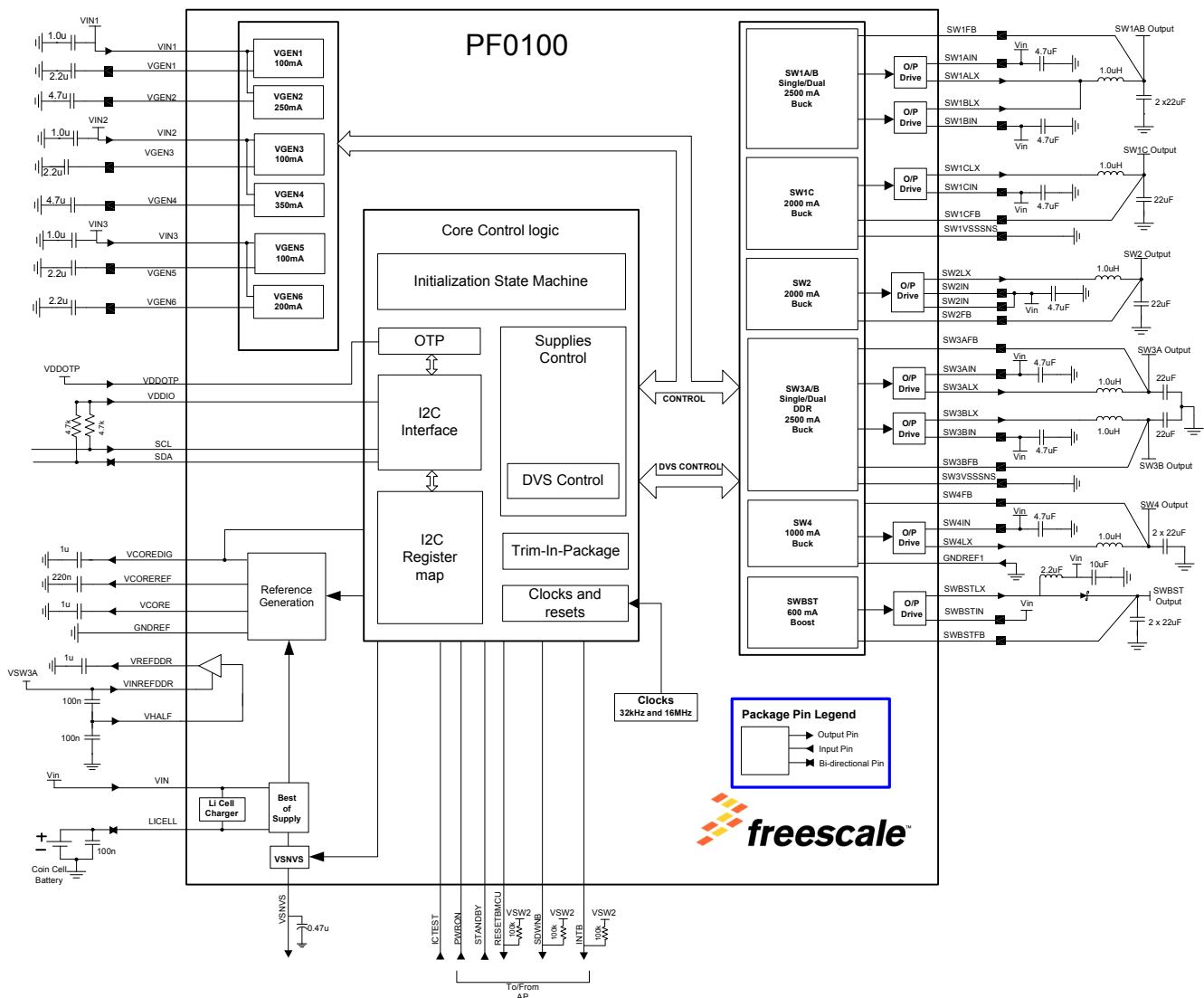


Figure 28. Typical Application Schematic

8.1.2 Bill of Material

The following table provides a complete list of the recommended components on a full featured system using the PF0100 Device. Critical components such as inductors, transistors, and diodes are provided with a recommended part number, but equivalent components may be used.

Table 138. Bill of Material (68)

Value	Qty	Description	Part#	Manufacturer	Component/Pin
PMIC					
	1	Power management IC	MMPF0100	Freescale	
BUCK, SW1AB - (0.300-1.875 V), 2.5 A					
1.0 μ H	1	4 x 4 x 2.1 $I_{SAT} = 4.5$ A for 10% drop, $DCR_{MAX} = 11.9$ m Ω	XFL4020-102MEB	Coilcraft	Output Inductor
1.0 μ H	–	5 x 5 x 1.5 $I_{SAT} = 3.6$ A for 10% drop, $DCR_{MAX} = 50$ m Ω	LPS5015_102ML	Coilcraft	Output Inductor Optional
22 μ F	4	10 V X5R 0805	LMK212BJ226MG-T	Taiyo Yuden	Output capacitance
4.7 μ F	1	10 V X5R 0603	LMK107BJ475KA-T	Taiyo Yuden	Input capacitance
0.1 μ F	1	10 V X5R 0402	C0402C104K8PAC	Kemet	Input capacitance
BUCK, SW1C- (0.300-1.875 V), 2.0 A					
1.0 μ H	1	4 x 4 x 1.2 $I_{SAT} = 2.8$ A for 10% drop, $DCR_{MAX} = 60$ m Ω	LPS4012-102NL	Coilcraft	Output Inductor
1.0 μ H	–	3x 3 1.2 $I_{SAT} = 2.5$ A for 10% drop, $DCR_{MAX} = 42$ m Ω	XFL3012-102ML	Coilcraft	Output Inductor Optional
22 μ F	2	10 V X5R 0805	LMK212BJ226MG-T	Taiyo Yuden	Output capacitance
4.7 μ F	1	10 V X5R 0603	LMK107BJ475KA-T	Taiyo Yuden	Input capacitance
0.1 μ F	1	10 V X5R 0402	C0402C104K8PAC	Kemet	Input capacitance
BUCK, SW2- (0.400-3.300 V), 2.0 A					
1.0 μ H	1	4 x 4 x 1.2 $I_{SAT} = 2.8$ A for 10% drop, $DCR_{MAX} = 60$ m Ω	LPS4012-102NL	Coilcraft	Output Inductor
1.0 μ H	–	3x 3 1.2 $I_{SAT} = 2.5$ A for 10% drop, $DCR_{MAX} = 42$ m Ω	XFL3012-102ML	Coilcraft	Output Inductor Optional
22 μ F	2	10 V X5R 0805	LMK212BJ226MG-T	Taiyo Yuden	Output capacitance
4.7 μ F	1	10 V X5R 0603	LMK107BJ475KA-T	Taiyo Yuden	Input capacitance
0.1 μ F	1	10 V X5R 0402	C0402C104K8PAC	Kemet	Input capacitance
BUCK, SW3AB - (0.400-3.300 V), 2.5 A					
1.0 μ H	1	4 x 4 x 2.1 $I_{SAT} = 4.5$ A for 10% drop, $DCR_{MAX} = 11.9$ m Ω	XFL4020-102MEB	Coilcraft	Output Inductor
1.0 μ H	–	5 x 5 x 1.5 $I_{SAT} = 3.6$ A for 10% drop, $DCR_{MAX} = 50$ m Ω	LPS5015_102ML	Coilcraft	Output Inductor Optional

Table 138. Bill of Material (68)

Value	Qty	Description	Part#	Manufacturer	Component/Pin
22 μ F	4	10 V X5R 0805	LMK212BJ226MG-T	Taiyo Yuden	Output capacitance
4.7 μ F	1	10 V X5R 0603	LMK107BJ475KA-T	Taiyo Yuden	Input capacitance
0.1 μ F	1	10 V X5R 0402	C0402C104K8PAC	Kemet	Input capacitance
BUCK, SW4 - (0.400-3.300V), 1A					
1.0 μ H	1	2.5 x 2 x 1 $I_{SAT} = 1.8$ A for 30% drop, $DCR_{MAX} = 84$ m Ω	VLS252010ET-1R0N	TDK	Output Inductor
1.0 μ H	-	2.2 x 2.1 x 1 $I_{SAT} = 1.2$ A for 10% drop, $DCR_{MAX} = 89$ m Ω	XPL2010_102ML	Coilcraft	Output Inductor Optional
22 μ F	2	10 V X5R 0805	LMK212BJ226MG-T	Taiyo Yuden	Output capacitance
4.7 μ F	1	10 V X5R 0603	LMK107BJ475KA-T	Taiyo Yuden	Input capacitance
0.1 μ F	1	10 V X5R 0402	C0402C104K8PAC	Kemet	Input capacitance
BOOST, SWBST - 5.0 V, 600 MA					
2.2 μ H	-	3 x 3 x 1.5 $I_{SAT} = 2.0$ A for 10% drop, $DCR_{MAX} = 110$ m Ω	LPS3015-222ML	Coilcraft	Output Inductor
22 μ F	2	10 V X5R 0805	LMK212BJ226MG-T	Taiyo Yuden	Output capacitance
10 μ F	1	10 V X5R 0805	C2012X5R1A106MT	TDK	Input capacitance
2.2 μ F	1	6.3 V X5R 0402	C0402C225M9PACTU	Kemet	Input capacitance
0.1 μ F	1	10 V X5R 0402	C0402C104K8PAC	Kemet	Input capacitance
1.0 A	1	20 V SOD-123FL	MBR120VLSFT1G	ON Semiconductor	Schottky Diode
LDO, VGEN1 - (0.80-1.55), 100 MA					
2.2 μ F	1	6.3 V X5R 0402	C0402C225M9PACTU	Kemet	Output capacitance
1.0 μ F	1	10 V X5R 0402	CC0402KRX5R6BB105	Yageo America	Input capacitance
LDO, VGEN2 - (0.80-1.55), 250 MA					
4.7 μ F	1	6.3 V X5R 0402	C0402X5R6R3-475MNP	Venkel	Output capacitance
LDO, VGEN3 - (1.80-3.30), 100 MA					
2.2 μ F	1	6.3 V X5R 0402	C0402C225M9PACTU	Kemet	Output capacitance
1.0 μ F	1	10 V X5R 0402	CC0402KRX5R6BB105	Yageo America	Input capacitance
LDO, VGEN4 - (1.80-3.30), 350 MA					
4.7 μ F	1	6.3 V X5R 0402	C0402X5R6R3-475MNP	Venkel	Output capacitance
LDO, VGEN5 - (1.80-3.30), 150 MA					
2.2 μ F	1	6.3 V X5R 0402	C0402C225M9PACTU	Kemet	Output capacitance
1.0 μ F	1	10 V X5R 0402	CC0402KRX5R6BB105	Yageo America	Input capacitance
LDO, VGEN6 - (1.80-3.30), 200 MA					
2.2 μ F	1	6.3 V X5R 0402	C0402C225M9PACTU	Kemet	Output capacitance
LDO/SWITCH VSNVS - (1.1-3.3), 200 MA					
0.47 μ F	1	6.3 V X5R 0402	C1005X5R0J474K	TDK	Output capacitance

Table 138. Bill of Material (68)

Value	Qty	Description	Part#	Manufacturer	Component/Pin
REFERENCE, VREFDDR - (0.20-1.65V), 10 MA					
1.0 μ F	1	10 V X5R 0402	CC0402KRX5R6BB105	Yageo America	Output capacitance
0.1 μ F	2	10 V X5R 0402	C0402C104K8PAC	Kemet	VHALF, VINREFDDR
INTERNAL REFERENCES, VCOREDIG, VCOREREF, VCORE					
1.0 μ F	1	10 V X5R 0402	CC0402KRX5R6BB105	Yageo America	VCOREDIG
1.0 μ F	1	10 V X5R 0402	CC0402KRX5R6BB105	Yageo America	VCORE
0.22 μ F	1	10 V X5R 0402	GRM155R61A224KE19D	Murata	VCOREREF
COIN CELL					
0.1 μ F	1	10 V X5R 0402	C0402C104K8PAC	Kemet	LICELL
MISCELLANEOUS					
1.0 μ F	1	10 V X5R 0402	CC0402KRX5R6BB105	Yageo America	VIN
100 k Ω	1	1/16 W 0402	RK73H1ETTP1003F	KOA SPEER	PWRON
100 k Ω	1	1/16 W 0402	RK73H1ETTP1003F	KOA SPEER	RESETMCU
100 k Ω	1	1/16 W 0402	RK73H1ETTP1003F	KOA SPEER	SDWN
100 k Ω	1	1/16 W 0402	RK73H1ETTP1003F	KOA SPEER	INTB

Notes

68. Freescale does not assume liability, endorse, or warrant components from external manufacturers that are referenced in circuit drawings or tables. While Freescale offers component recommendations in this configuration, it is the customer's responsibility to validate their application.

8.2 PF0100 Layout Guidelines

8.2.1 General Board Recommendations

- It is recommended to use an eight layer board stack-up arranged as follows:
 - High current signal
 - GND
 - Signal
 - Power
 - Power
 - Signal
 - GND
 - High current signal
- Allocate TOP and BOTTOM PCB Layers for POWER ROUTING (high current signals), copper-pour the unused area.
- Use internal layers sandwiched between two GND planes for the SIGNAL routing.

8.2.2 Component Placement

It is desirable to keep all component related to the power stage as close to the PMIC as possible, specially decoupling input and output capacitors.

8.2.3 General Routing Requirements

- Some recommended things to keep in mind for manufacturability:
 - Via in pads require a 4.5 mil minimum annular ring. Pad must be 9.0 mils larger than the hole
 - Maximum copper thickness for lines less than 5.0 mils wide is 0.6 oz copper
 - Minimum allowed spacing between line and hole pad is 3.5 mils
 - Minimum allowed spacing between line and line is 3.0 mils
- Care must be taken with SWx_{FB} pins traces. These signals are susceptible to noise and must be routed far away from power, clock, or high power signals, like the ones on the SWx_{IN}, SWx, SWx_{LX}, SWBST_{IN}, SWBST, and SWBST_{LX} pins. They could be also shielded.
- Shield feedback traces of the regulators and keep them as short as possible (trace them on the bottom so the ground and power planes shield these traces).
- Avoid coupling traces between important signal/low noise supplies (like REFCORE, VCORE, VCORED_{IG}) from any switching node (i.e. SW1_{ALX}, SW2_{LX}, SW3_{LX}, SW4_{ALX}, SW4_{BLX}, and SWBST_{LX}).
- Make sure that all components related to a specific block are referenced to the corresponding ground.

8.2.4 Parallel Routing Requirements

- I²C signal routing
 - CLK is the fastest signal of the system, so it must be given special care.
 - To avoid contamination of these delicate signals by nearby high power or high frequency signals, it is a good practice to shield them with ground planes placed on adjacent layers. Make sure the ground plane is uniform throughout the whole signal trace length.

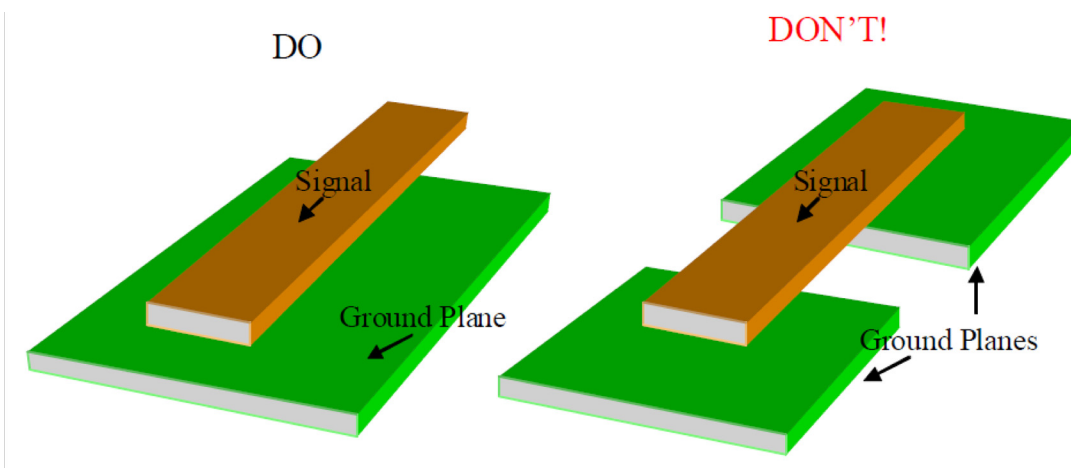


Figure 29. Recommended Shielding for Critical Signals.

- These signals can be placed on an outer layer of the board to reduce their capacitance with respect to the ground plane.
- Care must be taken with these signals not to contaminate analog signals, as they are high frequency signals. Another good practice is to trace them perpendicularly on different layers, so there is a minimum area of proximity between signals.

8.2.5 Switching Regulator Layout Recommendations

1. Per design, the switching regulators in PF0100 are designed to operate with only one input bulk capacitor. However, it is recommended to add a high frequency filter input capacitor (C_{IN_HF}), to filter out any noise at the regulator input. This capacitor should be in the range of 100 nF and should be placed right next to or under the IC, closest to the IC pins.
2. Make high-current ripple traces low-inductance (short, high W/L ratio).
3. Make high-current traces wide or copper islands.
4. Make high-current traces symmetrical for dual-phase regulators (SW1, SW3).

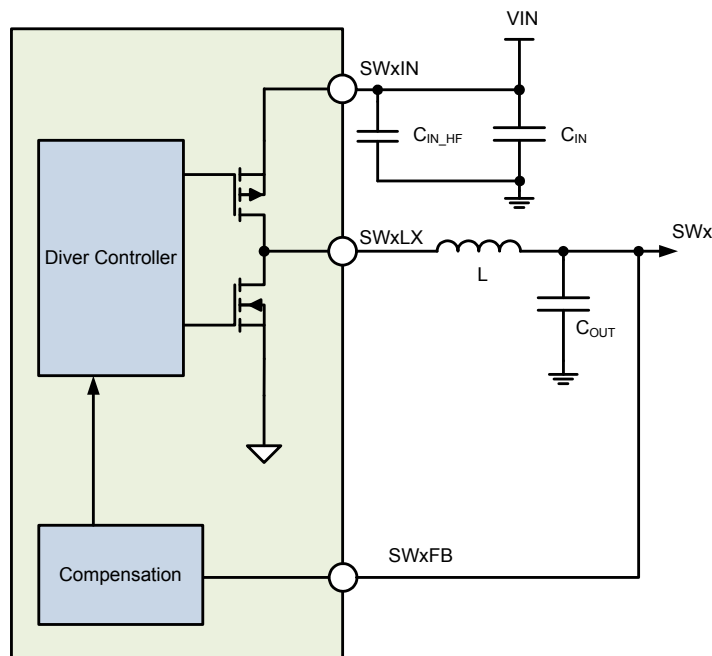


Figure 30. Generic Buck Regulator Architecture

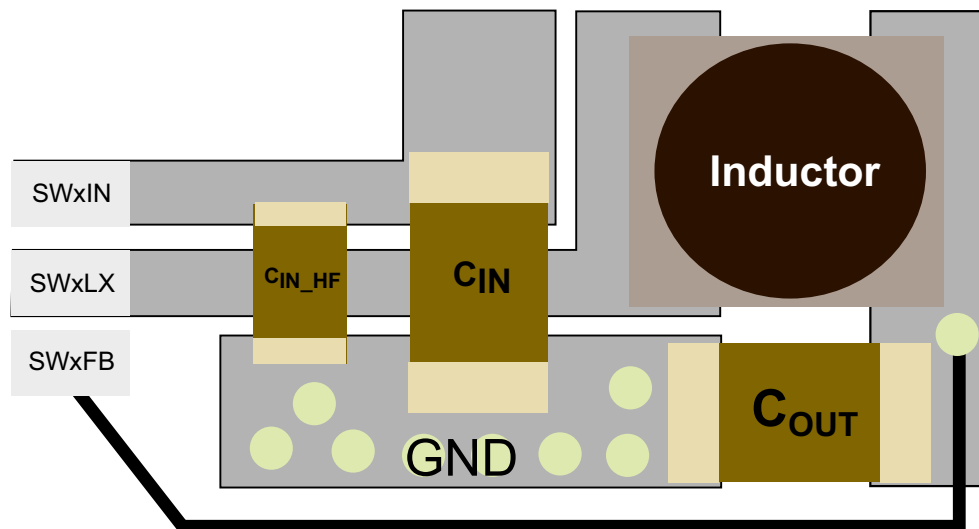


Figure 31. Recommended Layout for Buck Regulators

8.3 Thermal Information

8.3.1 Rating Data

The thermal rating data of the packages has been simulated with the results listed in [Table 5](#).

Junction to Ambient Thermal Resistance Nomenclature: the JEDEC specification reserves the symbol $R_{\theta JA}$ or θJA (Theta-JA) strictly for junction-to-ambient thermal resistance on a 1s test board in natural convection environment. $R_{\theta JMA}$ or θJMA (Theta-JMA) will be used for both junction-to-ambient on a 2s2p test board in natural convection and for junction-to-ambient with forced convection on both 1s and 2s2p test boards. It is anticipated that the generic name, Theta-JA, will continue to be commonly used. The JEDEC standards can be consulted at <http://www.jedec.org>.

8.3.2 Estimation of Junction Temperature

An estimation of the chip junction temperature T_J can be obtained from the equation:

$$T_J = T_A + (R_{\theta JA} \times P_D)$$

with:

T_A = Ambient temperature for the package in °C

$R_{\theta JA}$ = Junction to ambient thermal resistance in °C/W

P_D = Power dissipation in the package in W

The junction to ambient thermal resistance is an industry standard value that provides a quick and easy estimation of thermal performance. Unfortunately, there are two values in common usage: the value determined on a single layer board $R_{\theta JA}$ and the value obtained on a four layer board $R_{\theta JMA}$. Actual application PCBs show a performance close to the simulated four layer board value although this may be somewhat degraded in case of significant power dissipated by other components placed close to the device.

At a known board temperature, the junction temperature T_J is estimated using the following equation

$$T_J = T_B + (R_{\theta JB} \times P_D) \text{ with}$$

T_B = Board temperature at the package perimeter in °C

$R_{\theta JB}$ = Junction to board thermal resistance in °C/W

P_D = Power dissipation in the package in W

When the heat loss from the package case to the air can be ignored, acceptable predictions of junction temperature can be made. See [Functional Block Requirements and Behaviors](#) for more details on thermal management.

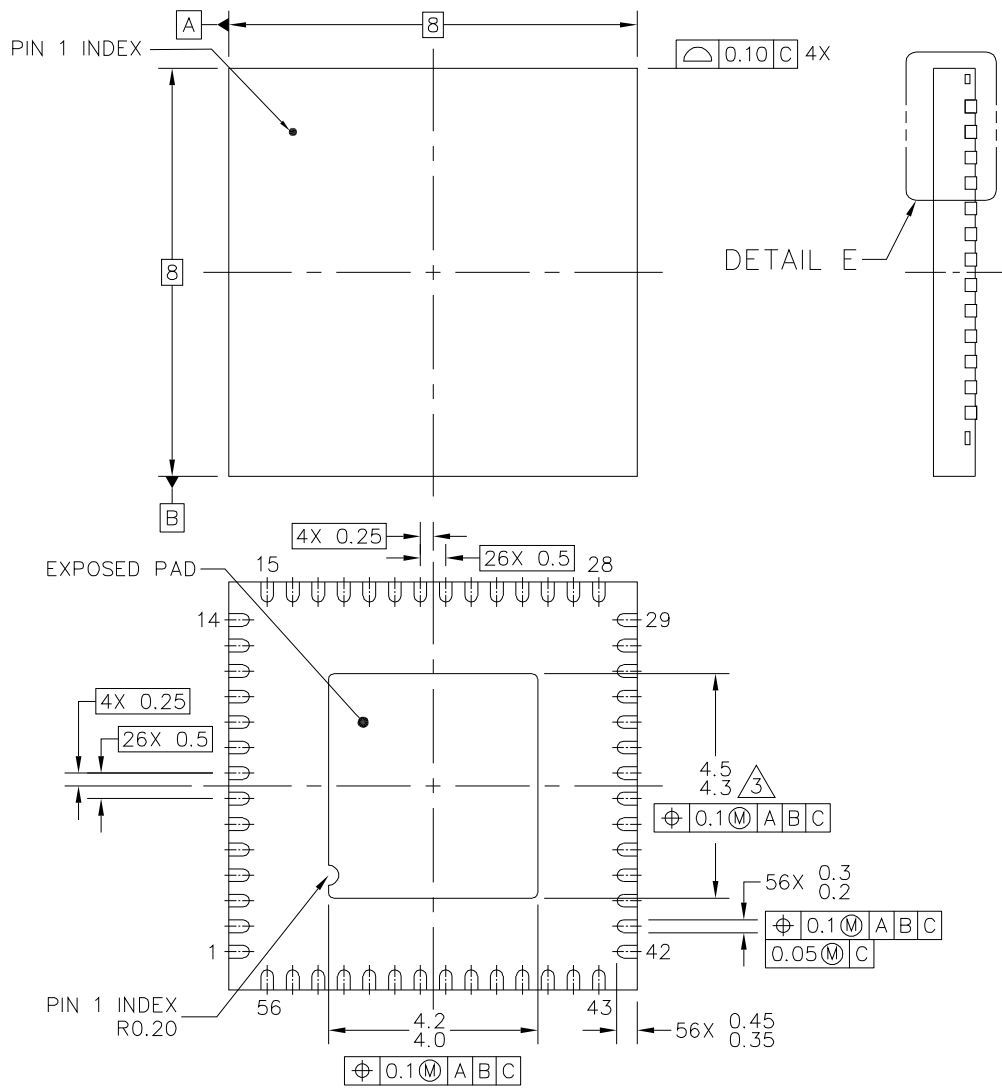
9 Packaging

9.1 Packaging Dimensions

Package dimensions are provided in package drawings. To find the most current package outline drawing, go to www.freescale.com and perform a keyword search for the drawing's document number. See the [Thermal Characteristics](#) section for specific thermal characteristics for each package.

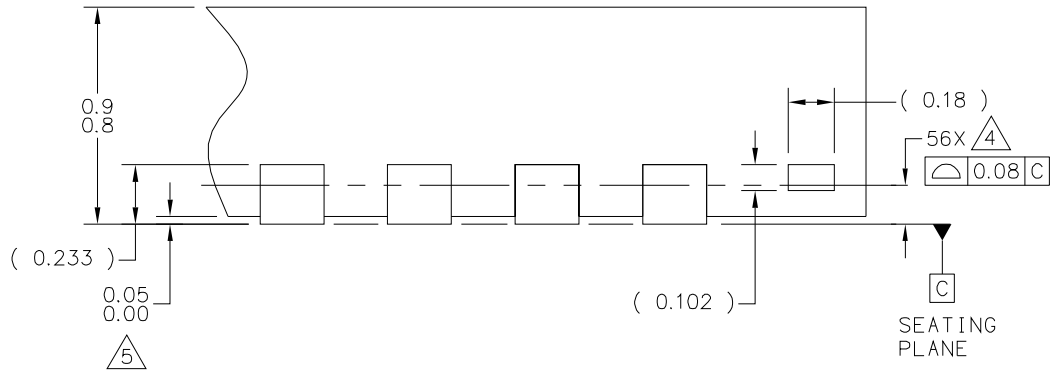
Table 139. Package Drawing Information

Package	Suffix	Package Outline Drawing Number
56 QFN 8x8 mm - 0.5 mm pitch. E-Type (full lead)	EP	98ASA00405D



© FREESCALE SEMICONDUCTOR, INC. ALL RIGHTS RESERVED.	MECHANICAL OUTLINE	PRINT VERSION NOT TO SCALE	
TITLE: QFN, THERMALLY ENHANCED 8 X 8 X 0.85, 0.5 PITCH, 56 I/O	DOCUMENT NO: 98ASA00405D	REV: 0	
	CASE NUMBER: 2241-01	22 DEC 2011	
	STANDARD: NON-JEDEC		

EP SUFFIX
56-PIN QFN
98ASA00405D
ISSUE 0



DETAIL E
VIEW ROTATED 90° CW

© FREESCALE SEMICONDUCTOR, INC. ALL RIGHTS RESERVED.	MECHANICAL OUTLINE	PRINT VERSION NOT TO SCALE	
TITLE: QFN, THERMALLY ENHANCED 8 X 8 X 0.85, 0.5 PITCH, 56 I/O	DOCUMENT NO: 98ASA00405D	REV: 0	
	CASE NUMBER: 2241-01	22 DEC 2011	
	STANDARD: NON-JEDEC		

EP SUFFIX
56-PIN QFN
98ASA00405D
ISSUE 0

NOTE:

1. ALL DIMENSIONS ARE IN MILLIMETERS.
2. DIMENSIONING & TOLERANCING PER ASME Y14.5 – 1994.
3. THIS DIMENSION APPLIES TO METALIZED TERMINAL AND IS MEASURED BETWEEN 0.25 AND 0.30 MM FROM TERMINAL TIP.
4. BILATERAL COPLANARITY ZONE APPLIES TO THE EXPOSED PAD AS WELL AS THE TERMINALS.
5. THIS DIMENSION APPLIES ONLY FOR TERMINALS.

© FREESCALE SEMICONDUCTOR, INC. ALL RIGHTS RESERVED.	MECHANICAL OUTLINE	PRINT VERSION NOT TO SCALE	
TITLE: QFN, THERMALLY ENHANCED 8 X 8 X 0.85, 0.5 PITCH, 56 I/O		DOCUMENT NO: 98ASA00405D	REV: 0
		CASE NUMBER: 2241-01	22 DEC 2011
		STANDARD: NON-JEDEC	

EP SUFFIX
56-PIN QFN
98ASA00405D
ISSUE 0

10 Reference Section

10.1 Reference Documents

Table 140. PF0100 Reference Documents

Reference	Description
AN4536	MMPF0100 OTP Programming Instructions

11 Revision History

11.1 Document Changes

REVISION	DATE	DESCRIPTION OF CHANGES
1.0	7/2011	<ul style="list-style-type: none">• Preliminary specification release
2.0	8/2012	<ul style="list-style-type: none">• NPI phase: prototype major updates throughout cycle
3.0	10/2012	<ul style="list-style-type: none">• Initial production release

How to Reach Us:

Home Page:

freescale.com

Web Support:

freescale.com/support

Information in this document is provided solely to enable system and software implementers to use Freescale products. There are no express or implied copyright licenses granted hereunder to design or fabricate any integrated circuits based on the information in this document.

Freescale reserves the right to make changes without further notice to any products herein. Freescale makes no warranty, representation, or guarantee regarding the suitability of its products for any particular purpose, nor does Freescale assume any liability arising out of the application or use of any product or circuit, and specifically disclaims any and all liability, including without limitation consequential or incidental damages. "Typical" parameters that may be provided in Freescale data sheets and/or specifications can and do vary in different applications, and actual performance may vary over time. All operating parameters, including "typicals," must be validated for each customer application by customer's technical experts. Freescale does not convey any license under its patent rights nor the rights of others. Freescale sells products pursuant to standard terms and conditions of sale, which can be found at the following address: store.esellerate.net/store/Policy.aspx?Selector=RT&s=STR0326182960&pc.

Freescale, the Freescale logo, Altivec, C-5, CodeTest, CodeWarrior, ColdFire, C-Ware, Energy Efficient Solutions logo, Kinetis, mobileGT, PowerQUICC, Processor Expert, QorIQ, Qorivva, StarCore, Symphony, and VortiQa are trademarks of Freescale Semiconductor, Inc., Reg. U.S. Pat. & Tm. Off. Airfast, BeeKit, BeeStack, ColdFire+, CoreNet, Flexis, MagniV, MXC, Platform in a Package, QorIQ Qonverge, QUICC Engine, Ready Play, SafeAssure, SMARTMOS, TurboLink, Vybrid, and Xtrinsic are trademarks of Freescale Semiconductor, Inc. All other product or service names are the property of their respective owners.

© 2012 Freescale Semiconductor, Inc.

Document Number: MMPF0100

Rev. 3.0

10/2012

