

(0,80mm) .0315"

SBS-DH SERIES

SBS-120-01-S-DH-WT-ML



RIGHT ANGLE BLADE SOCKETS

SPECIFICATIONS

For complete specifications and recommended PCB layouts see www.samtec.com?SBS-DH

Insulator Material:

Black Liquid Crystal Polymer



Contact:

BeCu

Plating:

Au over 50µ" (1,27µm)

Ni on contact

Current Rating:

3.1A @ 30°C Temperature Rise

Operating Temp:

-55°C to +125°C

RoHS Compliant:

Yes

Processing:

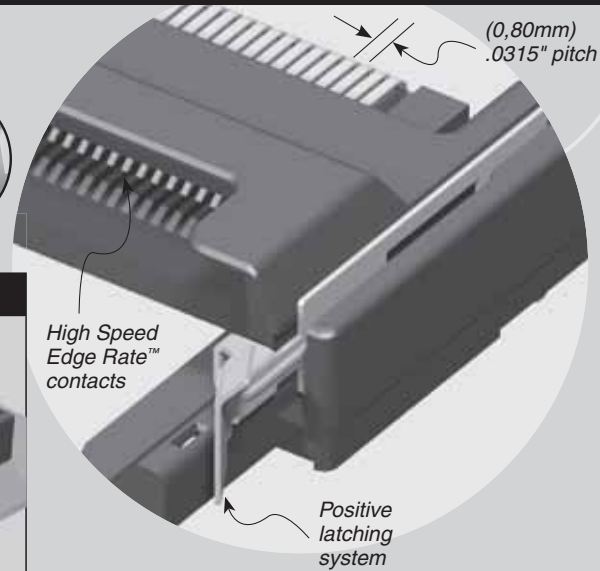
Lead-Free Solderable:

Yes

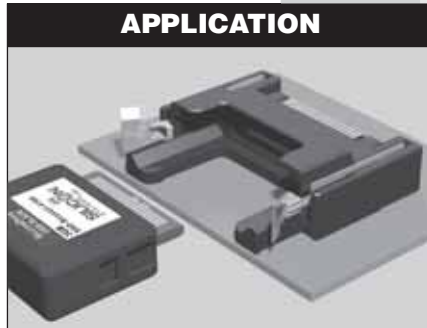
SMT Lead Coplanarity:

(0,10mm) .004" max

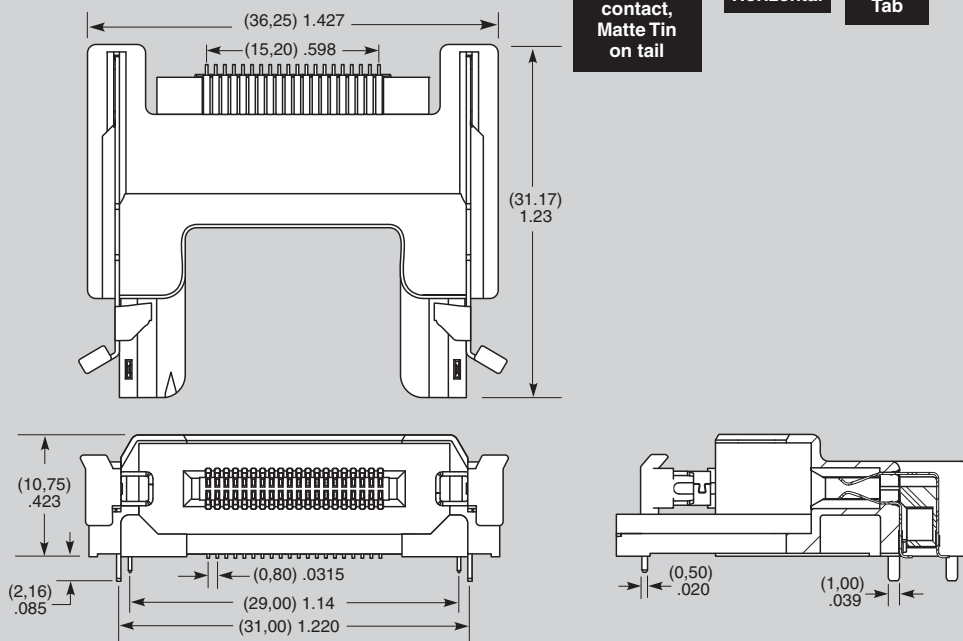
Mates with:
SiliconSystems
SiliconBlade
products



APPLICATION



SBS	1	NO. OF PINS PER ROW	CARD THICKNESS	PLATING OPTION	DH	WT	OTHER OPTION
		20	-01 = (1,60mm) .062" thick card	-S = 30µ" (0,76µm) Gold on contact, Matte Tin on tail	-DH = Double Horizontal	-WT = Weld Tab	-ML = Metal Latch



Note: Some lengths, styles and options are non-standard, non-returnable.

Due to technical progress, all designs, specifications and components are subject to change without notice.

WWW.SAMTEC.COM