

TWINAX Series Specifications

All the information included within this page is typical for the series but will not necessarily apply to every shape or version.

310-372 | 384 | 396

Specification		
Mating face:	twin contact, polarized with independent keyway @ 90°	
Impedance:	100 ohm (suits systems from 70-140 ohm)	
Working voltage:	500 V peak	
Proof voltage:	1500 V rms	
Contact resistance:	<5 milliohm (per contact pair)	
Frequency limit:	Greater than 250 MHz	
Insertion loss:	<0.2dB per mated pair, measured at 100 MHz	
Piece part specification	Base materials	Plating types
Body parts	Brass	Passivated silver over copper or Bright nickel over copper
Insulators	Noryl	NA
Gaskets	Silicone rubber	NA
Center contacts	Brass or Beryllium copper	Passivated silver over copper or 1.3-1.6 µm gold over copper

M/A-COM, Inc.

North America: Tel. (800) 366-2266
Fax (800) 618-8883

■ Asia/Pacific: Tel. +81(03) 3226-1671
Fax +81(03) 3226-1451

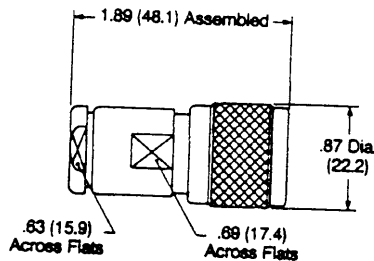
■ Europe: Tel. +44 (1344) 869 595
Fax +44 (1344) 300 020

TWINAX Series

CABLE CONNECTORS AND BULKHEAD MOUNT RECEPTACLES

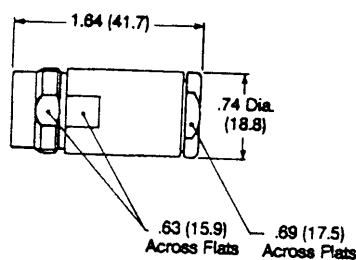
Straight Plug

(Figure 1)



Straight Jack

(Figure 2)



Front Mount Bulkhead Jack

(Figure 3)

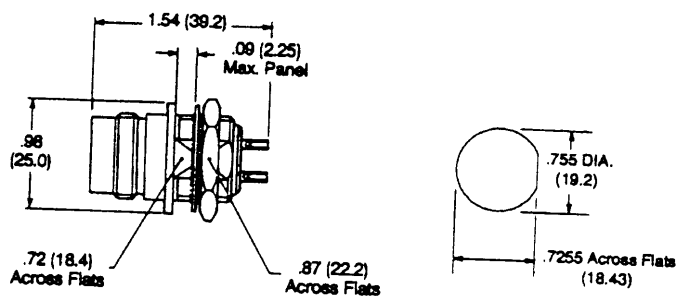


Figure	RG-/U Cable	Cable Attachment		Part Number
		Inner	Outer	
1	Belden 8227, 9207	Solder	Clamp	K70 A01 H334 X99
2	Brand Rex T8756A	Solder	Clamp	K70 E03 H334 X99
3	IBM 7362211	—	—	K70 M08 H999 X99

Finish: Bright nickel plated body and silver plated center contacts. Other finishes available upon request.

Dimensions are in decimal inches, metric equivalents (to the nearest 0.1 mm) are given in parenthesis for general information only.

M/A-COM, Inc.

North America: Tel. (800) 366-2266
Fax (800) 618-8883

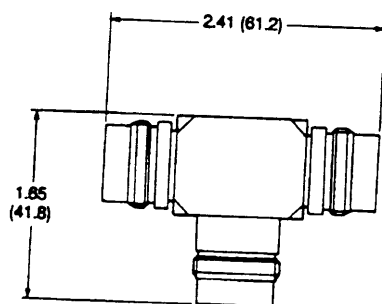
■ Asia/Pacific: Tel. +81(03) 3226-1671
Fax +81(03) 3226-1451

■ Europe: Tel. +44 (1344) 869 595
Fax +44 (1344) 300 020

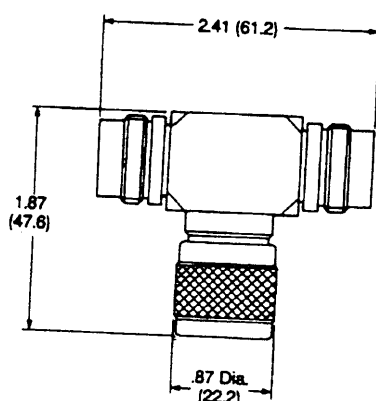
TWINAX Series

ADAPTERS AND TERMINATIONS

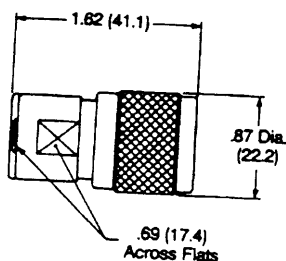
Jack-Jack-Jack
(Figure 1)



Jack-Plug-Jack
(Figure 2)



Plug Termination
(Figure 3)



ADAPTERS

Figure	Type	Part Number
1	Jack-Jack-Jack	K70 P10 H999 X99
2	Jack-Plug-Jack	K70 P05 H999 X99

TERMINATIONS

Figure	Power (Avg.)	Part Number	Note
3	.25W	K70 Z16 H999 X99	Plug

Finish: Bright nickel plated body and silver plated center contacts. Other finishes available upon request.

Dimensions are in decimal inches, metric equivalents (to the nearest 0.1 mm) are given in parenthesis for general information only.

M/A-COM, Inc.

North America: Tel. (800) 366-2266
Fax (800) 618-8883

■ Asia/Pacific: Tel. +81(03) 3226-1671
Fax +81(03) 3226-1451

■ Europe: Tel. +44 (1344) 869 595
Fax +44 (1344) 300 020