

4

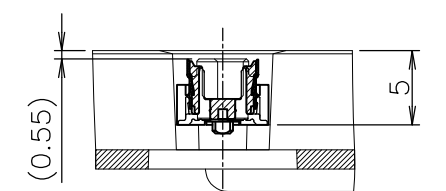
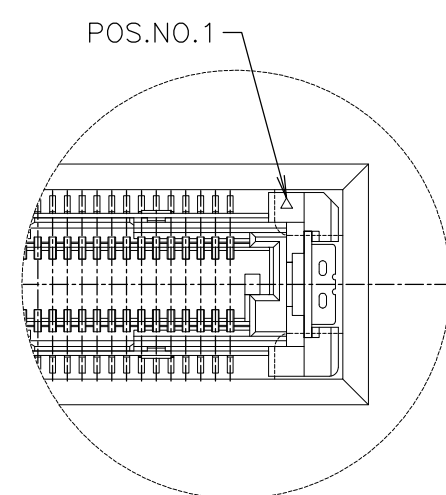
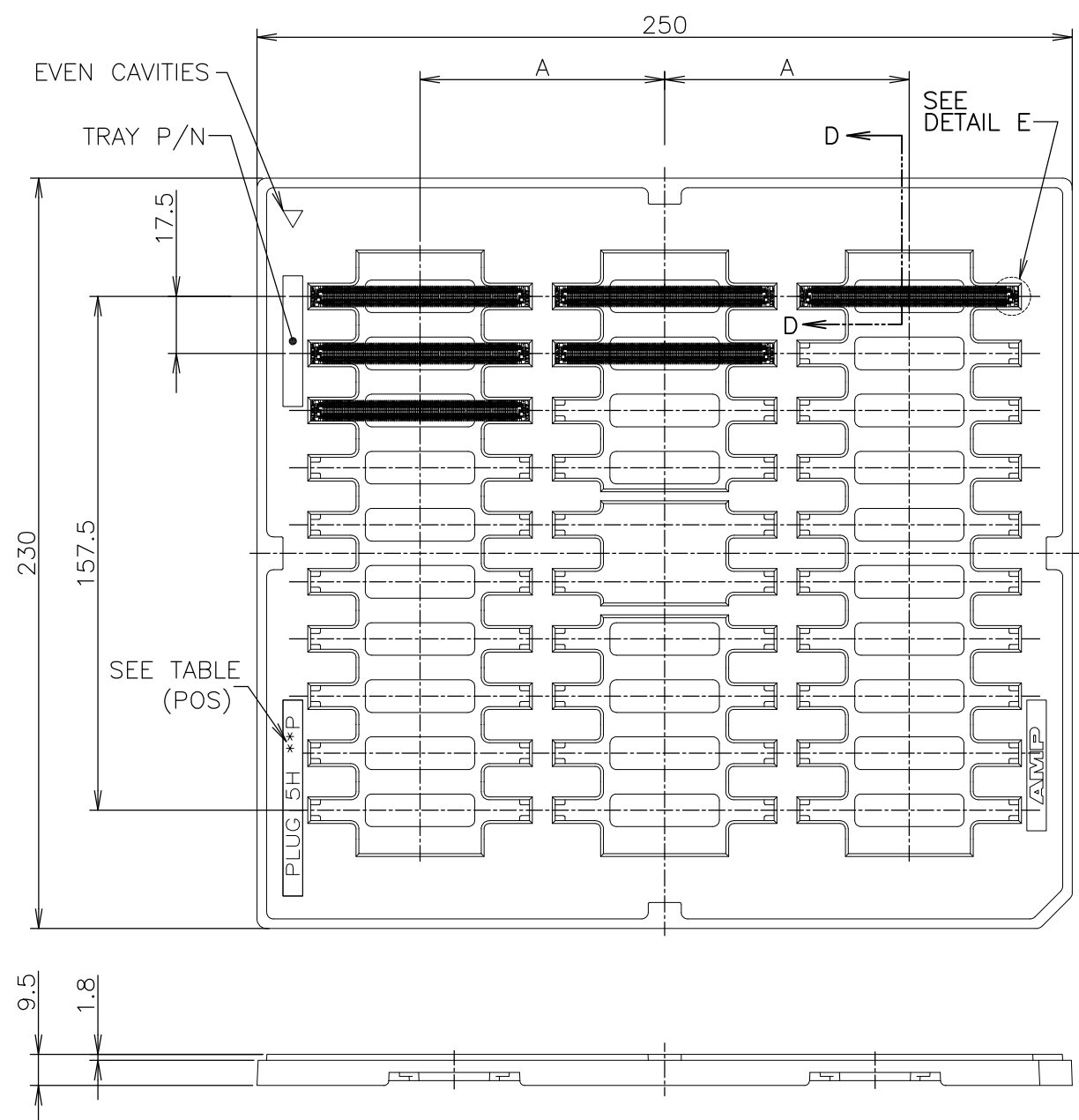
3

2


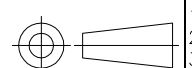
1

THIS DRAWING IS UNPUBLISHED. RELEASED FOR PUBLICATION ,2005.  
 © COPYRIGHT 2005 By - ALL RIGHTS RESERVED.

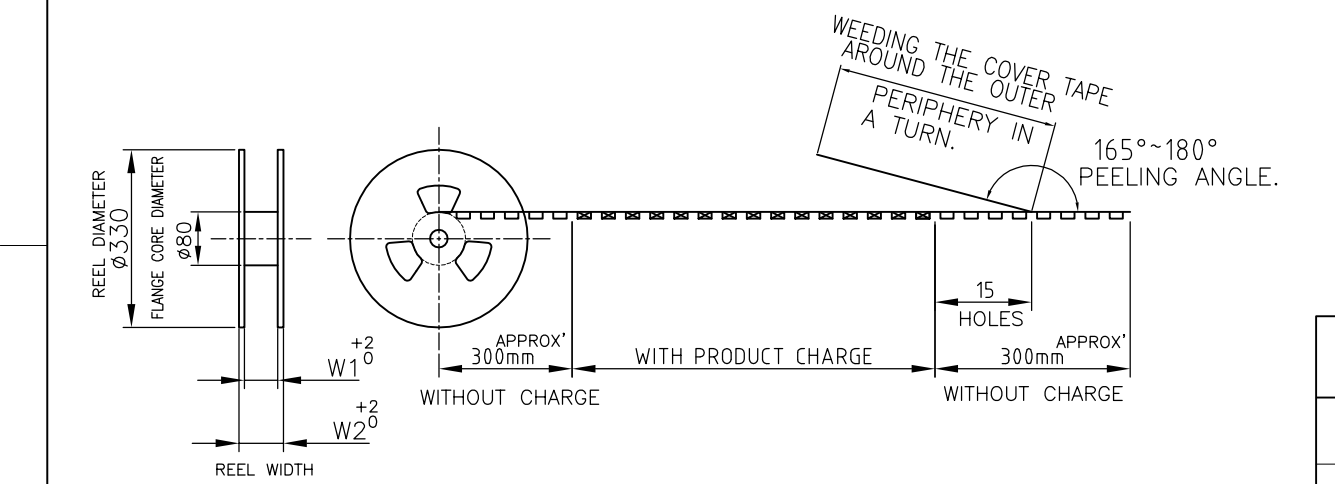
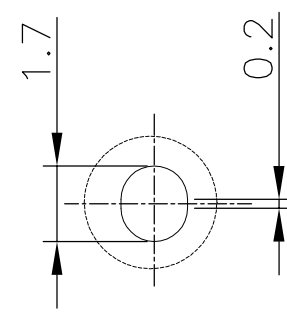
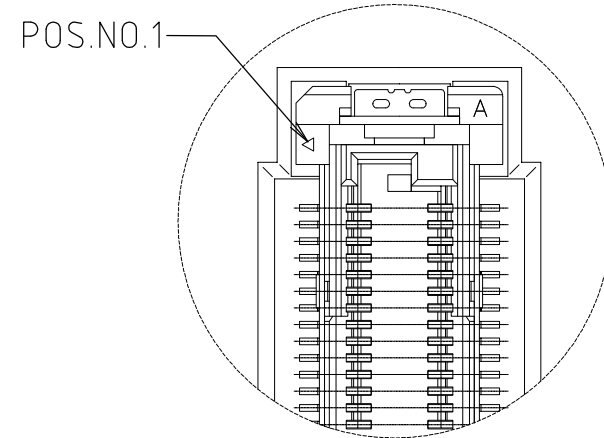
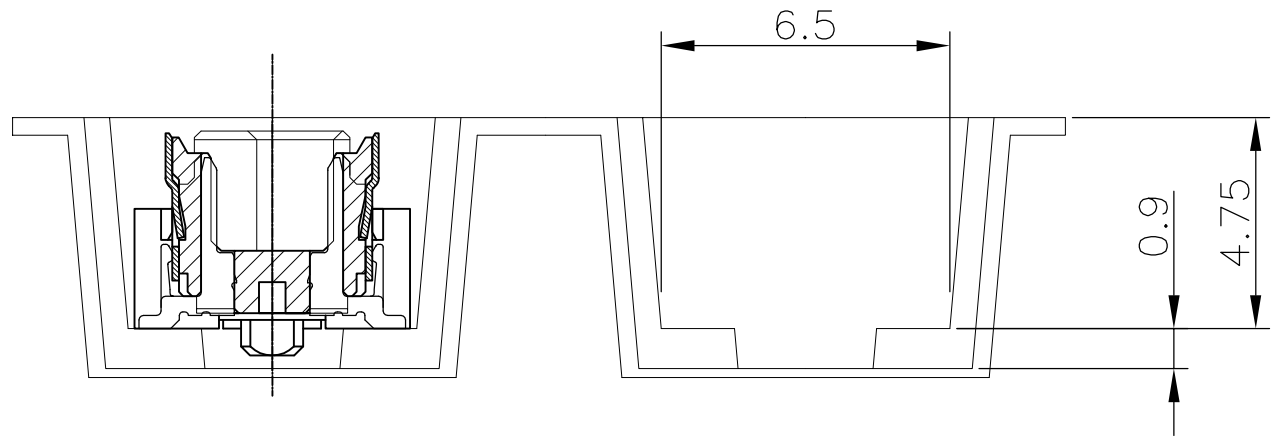
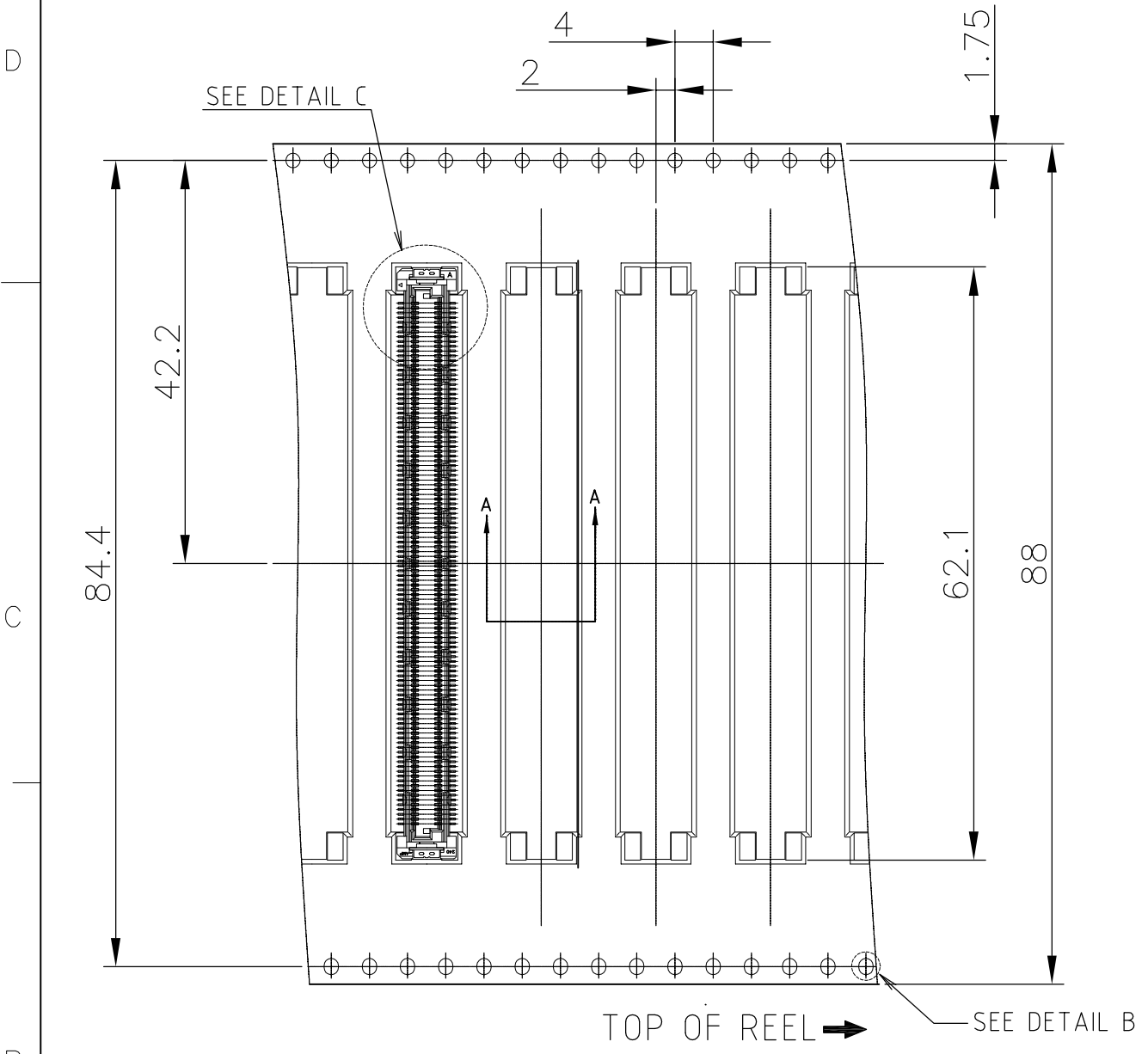
LOC	DIST	REVISIONS					
ES		P	LTR	DESCRIPTION	DATE	DWN	APVD
		C		REVISED PER ECR-12-013585	31JUL2012	S.W	S.Y



△	NO	3	30	75	220	9-1827253-6
△	NO	3	30	75	220	3-1827253-6
FINISH	SEALANT	ROW	QTY	A	POS.	PART NO.

THIS DRAWING IS A CONTROLLED DOCUMENT.		DWN	S.CH IEN	18MAY05	 TE Connectivity
DIMENSIONS: MM		CHK	T.FUTATSUGI	18MAY05	
		APVD	W.KODAMA	18MAY05	
TOLERANCES UNLESS OTHERWISE SPECIFIED:		PRODUCT SPEC		NAME	
0 PLC	± 0.3	108-5560		HARD TRAY PACKAGING	
1 PLC	± 0.3	APPLICATION SPEC		FH 0.5 BTB CONNECTOR 220POS	
2 PLC	± 0.3	WEIGHT		PLUG 5H WITH GROUND PLATE	
3 PLC	± 0.3	CUSTOMER DRAWING		SIZE	A3
4 PLC	± 0.3	SCALE		CAGE CODE	00779
ANGLES	± 3'	SHEET		DRAWING NO	C-1827253
MATERIAL	FINISH	REV		RESTRICTED TO	
		1:2		1 OF 4	
		C			

LOC	DIST	REVISIONS					
ES		P	LTR	DESCRIPTION	DATE	DWN	APVD
		-		SEE SHEET 1	-	-	-



NO	93.5	89.5	800	220	4-1827253-6
FINISH	SEALANT SIF-200B	W2	W1	QTY/REEL	POS TAPING P/N

THIS DRAWING IS A CONTROLLED DOCUMENT.		DWN S.CHIENT 18MAY05	TE Connectivity ON TAPING EMBOSS FH 0.5 BTB CONNECTOR 220POS PLUG 5H WITH GROUND PLATE		
DIMENSIONS: MM		CHK T.FUTATSUGI 18MAY05			
TOLERANCES UNLESS OTHERWISE SPECIFIED:		APVD W.KODAMA 18MAY05			
0 PLC ± 0.3 1 PLC ± 0.3 2 PLC ± 0.3 3 PLC ± 0.3 4 PLC ± 0.3 ANGLES ± 3°		PRODUCT SPEC			
MATERIAL		FINISH	APPLICATION SPEC	NAME	RESTRICTED TO
			SIZE A3	CAGE CODE 00779	DRAWING NO C-1827253
CUSTOMER DRAWING			SCALE 1:2	SHEET 2 of 4	REV C

4

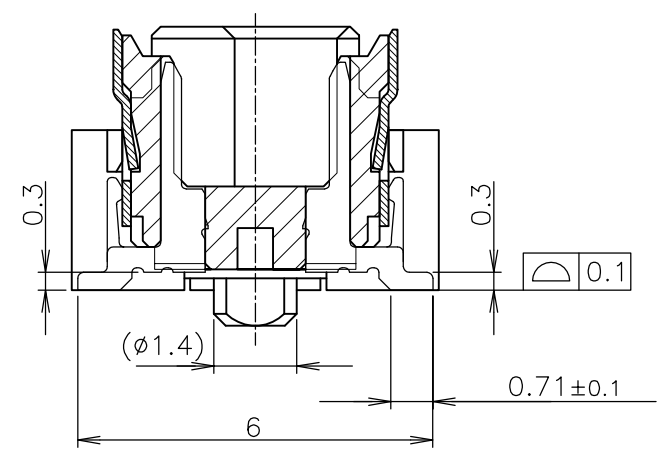
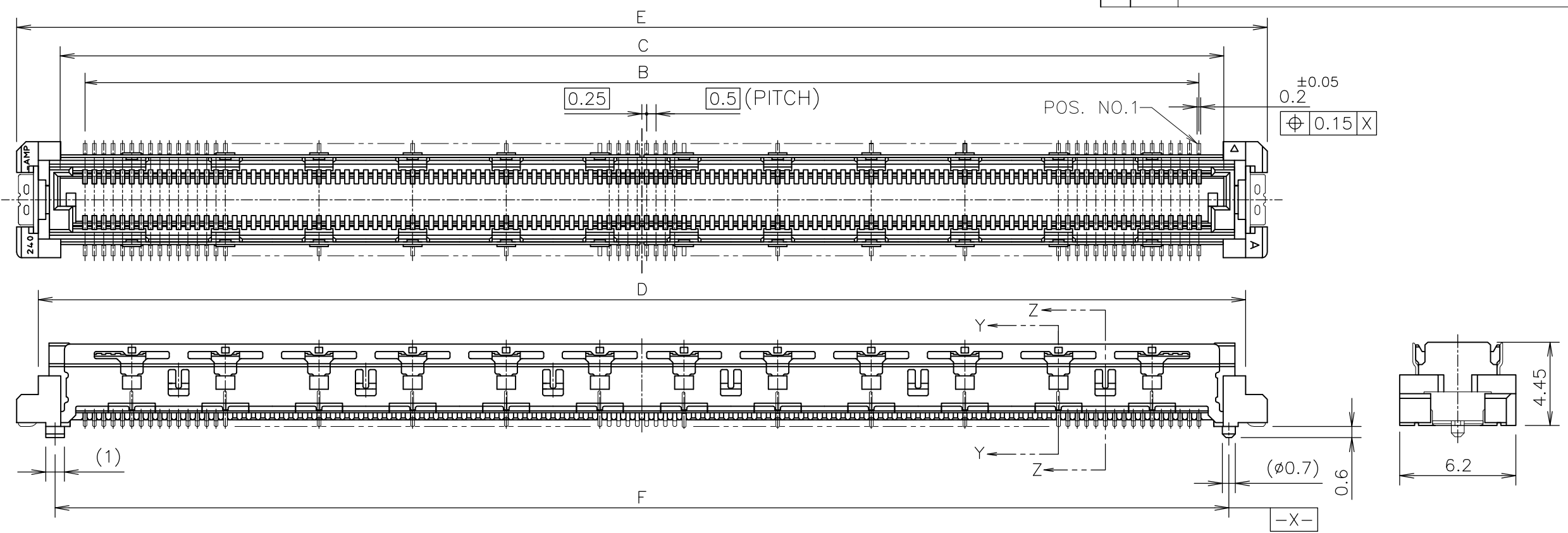
3

2

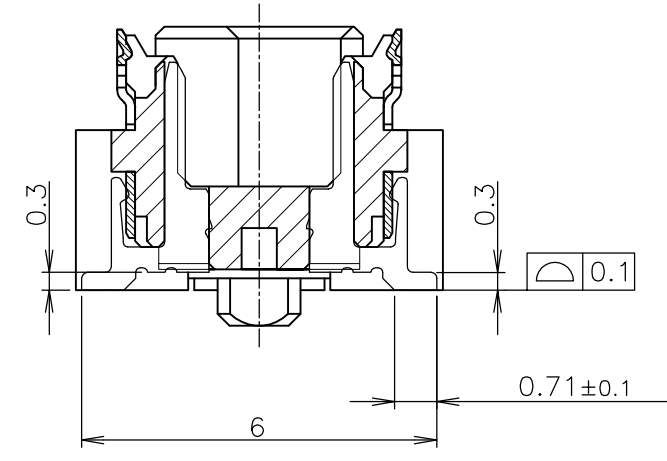
1

THIS DRAWING IS UNPUBLISHED. RELEASED FOR PUBLICATION ,2002.  
 © COPYRIGHT 2002 By - ALL RIGHTS RESERVED.

LOC	DIST	REVISIONS					
ES		P	LTR	DESCRIPTION	DATE	DWN	APVD
		-		SEE SHEET 1	-	-	-



SECT. Z-Z  
(SIGNAL POSITION)  
(SCALE 8:1)



SECT. Y-Y  
(GROUND POSITION)  
(SCALE 8:1)

57.7	61.8	59.5	57.1	54.5	BLACK	220	9-1827253-6
57.7	61.8	59.5	57.1	54.5	BLACK	220	4-1827253-6
57.7	61.8	59.5	57.1	54.5	BLACK	220	3-1827253-6
F	E	D	C	B	CONN. COLOR	POS.	PART NO.

THIS DRAWING IS A CONTROLLED DOCUMENT.		DWN	<b>STE</b> TE Connectivity			
DIMENSIONS: MM		CHK				
TOLERANCES UNLESS OTHERWISE SPECIFIED:		APVD	NAME ASSEMBLY FH 0.5 BTB CONNECTOR 220POS PLUG 5H WITH GROUND PLATE			
0 PLC ± 0.3		PRODUCT SPEC				
1 PLC ± 0.3		APPLICATION SPEC	SIZE	CAGE CODE	DRAWING NO	RESTRICTED TO
2 PLC ± 0.3		WEIGHT	A3	00779	C-1827253	
3 PLC ± 0.3		CUSTOMER DRAWING	SCALE	SHEET	REV	
4 PLC ± 0.3			4:1	3 of 4	C	
ANGLES ± 3'						
MATERIAL	FINISH					
SEE NOTE 1	SEE NOTE 2					

4

3

2

1

THIS DRAWING IS UNPUBLISHED.

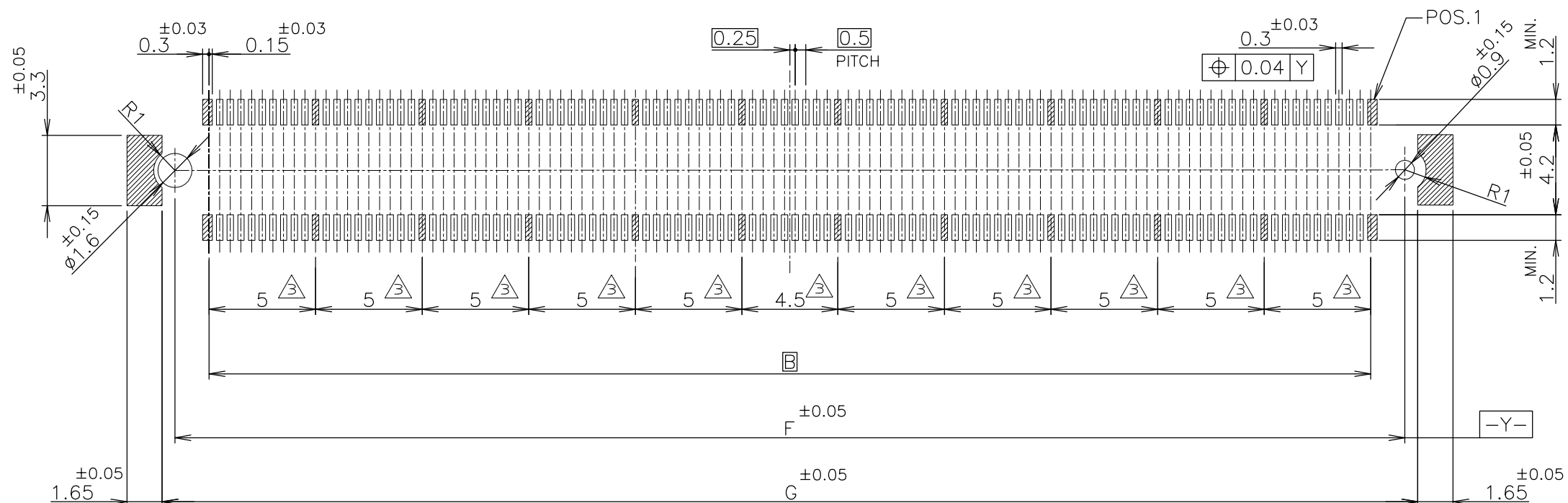
RELEASED FOR PUBLICATION

,2002.

ALL RIGHTS RESERVED.

© COPYRIGHT 2002 By -

LOC	DIST	REVISIONS					
ES	/	P	LTR	DESCRIPTION	DATE	DWN	APVD
		-	-	SEE SHEET 1	-	-	-



REFERENCE P.C.BOARD LAYOUT OF CONNECTOR

NOTES

- ⚠ MATERIAL ; HOUSING: HIGH TEMP THERMO PLASTIC UL94V-0  
CONTACT: COPPER ALLOY  
SOLDER PEG : COPPER ALLOY
- ⚠ FINISH ; CONTACT : UNDER PL. Ni 0.0013mm MIN ALL OVER  
CONTACT AREA 0.0002mm MIN Au PL.  
SOLDERING AREA 0.00005mm MIN Au PL.  
SOLDER PEG: TIN PL. 0.0001mm MIN OVER  
UNDER PL. Ni OR COPPER 0.0013mm MIN ALL OVER
- ⚠ THIS POSITION IS GROUND CIRCUIT.
- ⚠ HIGH TEMPERATURE VERSION.
- ⚠ FINISH ; CONTACT : UNDER PL. Ni 0.0013mm MIN ALL OVER  
CONTACT AREA 0.00076mm MIN Au PL.  
SOLDERING AREA 0.00005mm MIN Au PL.  
SOLDER PEG: TIN PL. 0.0001mm MIN OVER  
UNDER PL. Ni OR COPPER 0.0013mm MIN ALL OVER

59.5	220	9-1827253-6
59.5	220	4-1827253-6
59.5	220	3-1827253-6
G	POS.	PART NO.

THIS DRAWING IS A CONTROLLED DOCUMENT.		DWN																	
DIMENSIONS: MM		CHK																	
<table border="1"> <thead> <tr> <th>DIMENSIONS: MM</th> <th>TOLERANCES UNLESS OTHERWISE SPECIFIED:</th> </tr> </thead> <tbody> <tr> <td>0 PLC</td> <td>± 0.3</td> </tr> <tr> <td>1 PLC</td> <td>± 0.3</td> </tr> <tr> <td>2 PLC</td> <td>± 0.3</td> </tr> <tr> <td>3 PLC</td> <td>± 0.3</td> </tr> <tr> <td>4 PLC</td> <td>± 0.3</td> </tr> <tr> <td>ANGLES</td> <td>± 3'</td> </tr> </tbody> </table>		DIMENSIONS: MM	TOLERANCES UNLESS OTHERWISE SPECIFIED:	0 PLC	± 0.3	1 PLC	± 0.3	2 PLC	± 0.3	3 PLC	± 0.3	4 PLC	± 0.3	ANGLES	± 3'	APVD		NAME	
DIMENSIONS: MM	TOLERANCES UNLESS OTHERWISE SPECIFIED:																		
0 PLC	± 0.3																		
1 PLC	± 0.3																		
2 PLC	± 0.3																		
3 PLC	± 0.3																		
4 PLC	± 0.3																		
ANGLES	± 3'																		
MATERIAL		PRODUCT SPEC		ASSEMBLY															
FINISH		APPLICATION SPEC		FH 0.5 BTB CONNECTOR 220POS															
		WEIGHT		PLUG 5H WITH GROUND PLATE															
		CUSTOMER DRAWING		SIZE CAGE CODE DRAWING NO RESTRICTED TO															
				A3 00779 C-1827253															
				SCALE 4:1 SHEET 4 OF 4 REV C															