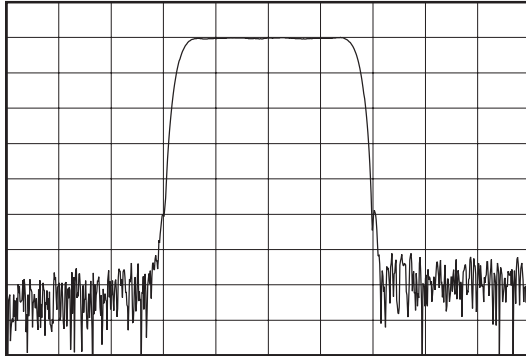
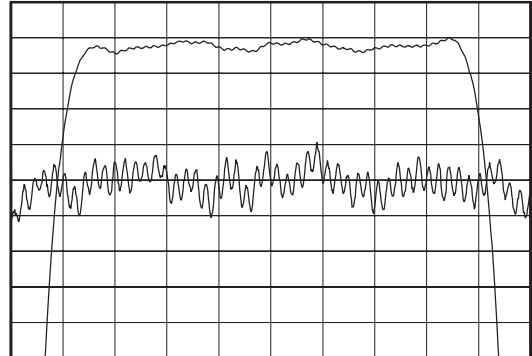


Data Sheet

Typical Performance



Horizontal: 5 MHz/Div  
Vertical: 14.5 dB/Div

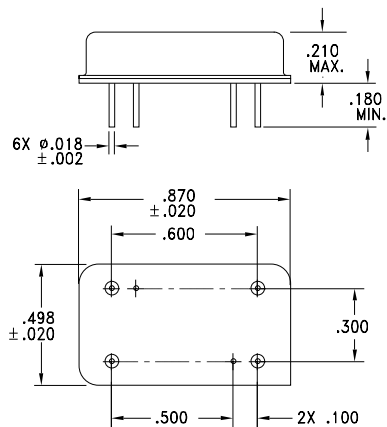


Horizontal: 2 MHz/Div  
Vertical: 1 dB/Div  
Vertical: 10 nsec/Div

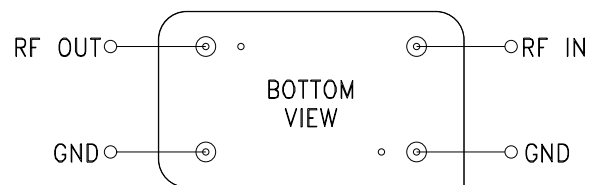
Specifications

Parameter	Unit	Minimum	Typical	Maximum
Center Frequency	MHz	139.8	140	140.2
Insertion Loss	dB	-	22.8	25
1 dB Bandwidth	MHz	15	15.18	-
3 dB Bandwidth	MHz	16	16.19	-
40 dB Bandwidth	MHz	-	19.5	20.2
Passband Variation	dB	-	0.4	0.7
Phase Linearity	deg	-	2.8	6
Group Delay Variation	nsec	-	20	60
Absolute Delay	μsec	-	1.586	-
Ultimate Rejection	dB	50	63	-
Substrate Material	-	-	YZ LiNbO <sub>3</sub>	-
Ambient Temperature	°C	-	25	-

Package Outline



Matching Configuration



No Matching Required  
Nominal Source/Load Impedance = 50Ω  
Package Style I

11/24/99