

Fast Recovery Diodes

Single package

Ratings and characteristics

Type	Maximum rating			Thermal rating T _j and T _{stg} °C	Characteristics (T _a =25°C)				Mass Grams	Dimensions Fig. No.							
	V _{RRM} Volts	I _o *1 Amps.	I _{FSM} Amps.		V _{FM} Max. Volts	I _{RRM} *2 Max. mA	t _{rr} *3 μs	R _{thj-c} °C/W									
ERE24-005	50	20 (T _c =84°C)	180	-40 to +140	1.3 (I _F =20A)	8 (T _j =140°C)	0.3	1.2	12	Fig. 1							
ERE24-01	100																
ERE24-02	200																
ERE24-04	400																
ERE24-06	600	30 (T _c =87°C)	180	-40 to +150	1.3 (I _F =30A)	15 (T _j =150°C)	0.3	1.2	12	Fig. 1							
ERE74-005	50	20 (T _c =84°C)	180								-40 to +140	1.3 (I _F =20A)	8 (T _j =140°C)	0.3	1.2	12	Fig. 1
ERE74-01	100																
ERE74-02	200																
ERE74-04	400																
ERE74-06	600	30 (T _c =87°C)	180	-40 to +150	1.3 (I _F =30A)	15 (T _j =150°C)	0.3	1.2	12	Fig. 1							
ERE75-005	50	30 (T _c =111°C)	350								-40 to +150	0.95 (I _F =30A)	3 (T _j =150°C)	0.3	1.2	12	Fig. 1
ERE75-01	100																
ERE75-02	200																
ERE26-005	50	30 (T _c =107°C)	500	-40 to +150	1.3 (I _F =30A)	15 (T _j =150°C)	0.3	0.8	12	Fig. 1							
ERE26-01	100																
ERE26-02	200																
ERE26-04	400																
ERE76-005	50	30 (T _c =107°C)	500	-40 to +150	1.3 (I _F =30A)	15 (T _j =150°C)	0.3	0.8	12	Fig. 1							
ERE76-01	100																
ERE76-02	200																
ERE76-04	400																
ERG24-005	50	30 (T _c =87°C)	500	-40 to +140	1.3 (I _F =30A)	15 (T _j =140°C)	0.3	0.8	25	Fig. 2							
ERG24-01	100																
ERG24-02	200																
ERG24-04	400																
ERG74-005	50	30 (T _c =87°C)	500	-40 to +140	1.3 (I _F =30A)	15 (T _j =140°C)	0.3	0.8	25	Fig. 2							
ERG74-01	100																
ERG74-02	200																
ERG74-04	400																
ERG75-005	50	45 (T _c =111°C)	800	-40 to +150	0.95 (I _F =45A)	3 (T _j =150°C)	0.3	0.8	25	Fig. 2							
ERG75-01	100																
ERG75-02	200																

Notes: () indicates conditions Other conditions *1 50Hz, Square wave duty 1/2 *2 V_R = V_{RRM} *3 I_F = I_R = 0.1A

Dimensions $\frac{\text{mm}}{\text{(inch)}}$

Fig. 1

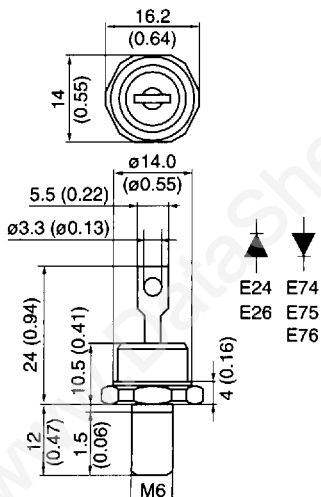


Fig. 2

