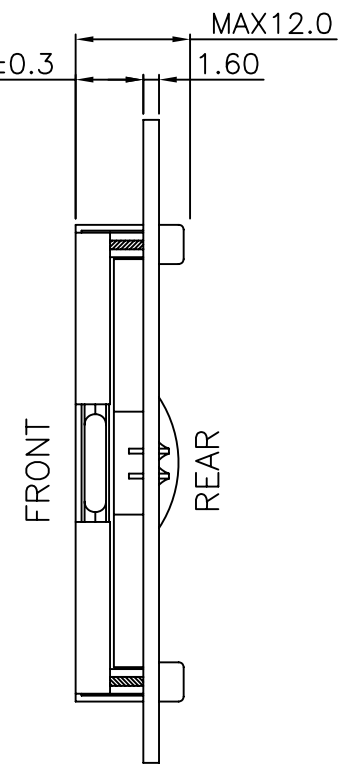
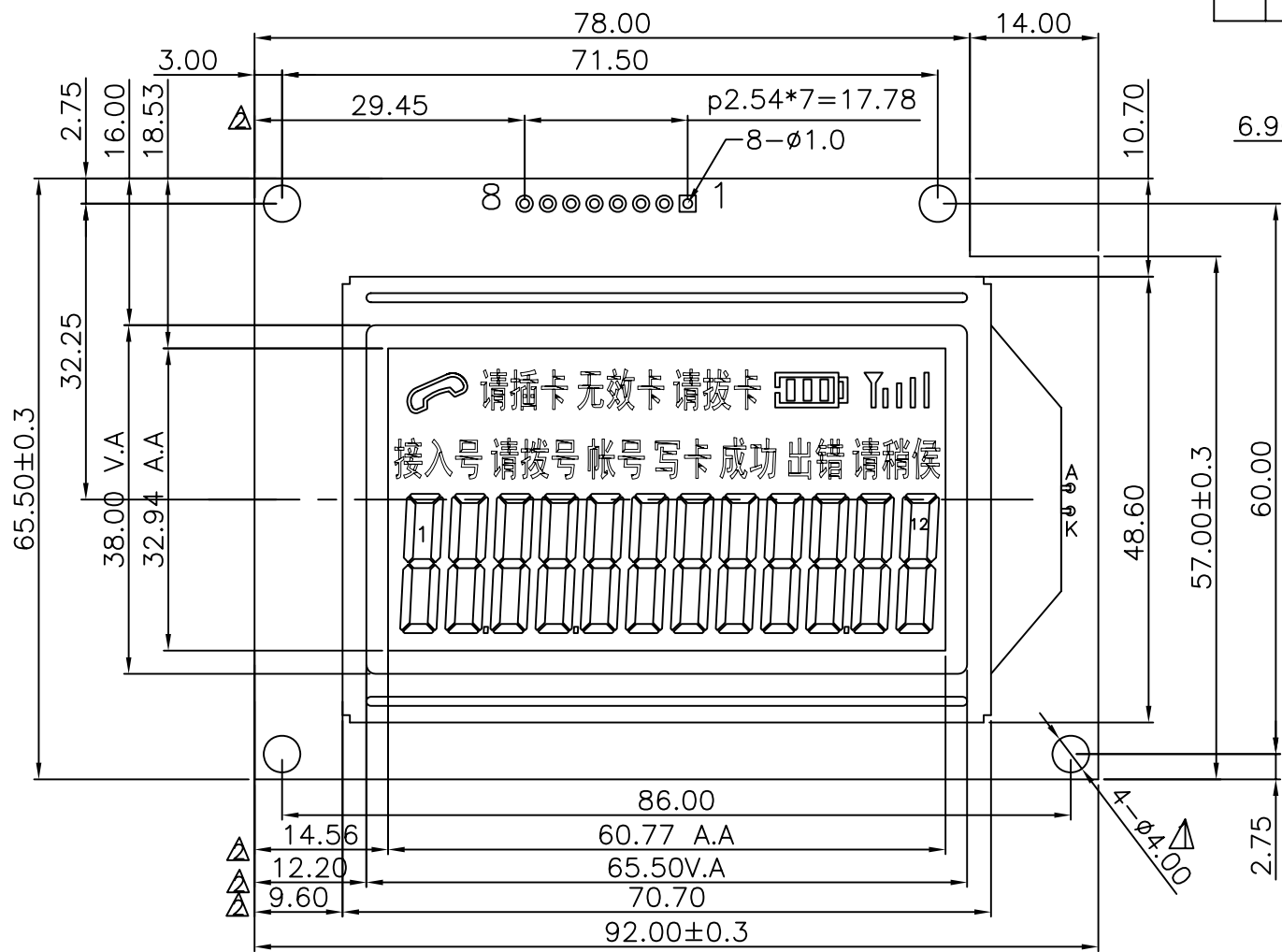


REV.	CHANGE CONTENT	BY	DATE
▲	更改安装孔直径	zouys	06.01.04
▲	更改外形尺寸	zouys	06.02.20



PIN	SYMBOL	LEVEL	FUNCTIONS
1	LED+	3.3V	LED BACKLIGHT+
2	VSS	0V	POWER SUPPLY
3	VDD	3.3/5.0V	POWER SUPPLY VOL.
4	DATA	H/L	DATA INPUT
5	/WR	H/L	WRITE SIGNAL
6	/CS	H/L	CHIP SELECT SIGNAL
7	/RD	H/L	READ SIGNAL
8	NC	--	

NOTE:
 DISPLAY TYPE : TN TRANSFLECTIVE-POSITIVE
 VIEWING DIRECTION : 6: 00
 OPERATING VOLT. : VOP=3.0V
 OPERATING TEMP. : -20℃ ~ +70℃
 STORAGE TEMP. : -30℃ ~ +80℃
 DRIVE METHOD : 1/4 DUTY 1/3BIAS
 LED : GREEN 3.3V 8mA
 DRIVE IC : HT1621

TOLERANCE
>0~6 ±0.10
>6~80 ±0.20
>80~240 ±0.30
>240~400 ±0.50
// ⊥ ◎ ±0.10



HTDISPLAY CO., LTD.

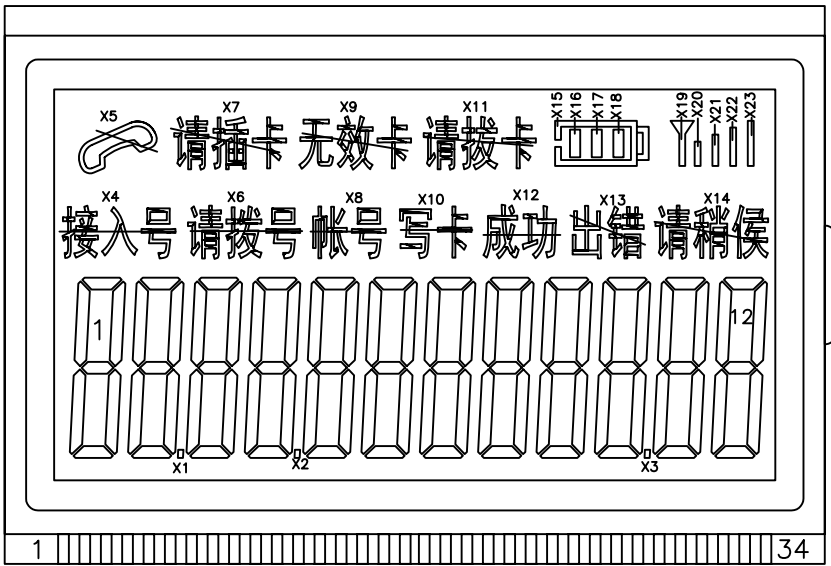
DRAWING No. : HS0007C-TF62L-VA	
DRAWING TITLE: LCD MODULE	
REV. : A	SCALE : -
PROJECTION:	UNIT : MM
	SHEET : 1/2

DESIGN	LI JINTANG	05.12.08	STANDARD
CHECKED			TECHNOLOGY
APPROVED			Q.A

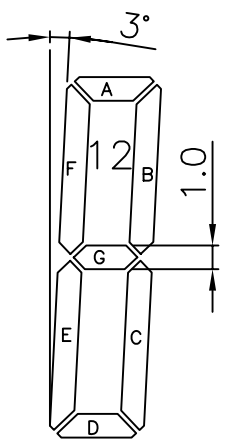
www.DataSheet4U.com

REV.	CHANGE CONTENT	BY	DATE

www.DataSheet4U.com



	SEG0	SEG1	SEG2	SEG3	SEG4	SEG5	SEG6	SEG7	SEG8	SEG9	SEG10	
PIN	1	2	3	4	5	6	7	8	9	10	11	
COM0	1F	1A	2F	2A	3F	3A	4F	4A	5F	5A	6F	
COM1	1G	1B	2G	2B	3G	3B	4G	4B	5G	5B	6G	
COM2	1E	1C	2E	2C	3E	3C	4E	4C	5E	5C	6E	
COM3	X5	1D	X4	2D	X1	3D	X7	4D	X2	5D	X6	
	SEG11	SEG12	SEG13	SEG14	SEG15	SEG16	SEG17	SEG18	SEG19	SEG20	SEG21	
PIN	12	13	14	15	16	17	18	19	20	21	22	
COM0	6A	7F	7A	8F	8A	9F	9A	10F	10A	11F	11A	
COM1	6B	7G	7B	8G	8B	9G	9B	10G	10B	11G	11B	
COM2	6C	7E	7C	8E	8C	9E	9C	10E	10C	11E	11C	
COM3	6D	X8	7D	X10	8D	X12	9D	X13	10D	X3	11D	
	SEG22	SEG23	SEG24	SEG25	SEG26	SEG27	SEG28	SEG29	COM3	COM2	COM1	COM0
PIN	23	24	25	26	27	28	29	30	31	32	33	34
COM0	12F	12A	X11	X16	X18	X20	X22					COM0
COM1	12G	12B									COM1	
COM2	12E	12C								COM2		
COM3	X14	12D	X9	X15	X17	X19	X21	X23	COM3			



www.DataSheet4U.com

TOLERANCE		HTDISPLAY CO., LTD.				DRAWING No. : HS0007C-TF62L-VA	
>0~6	±0.10					DRAWING TITLE: LCD MODULE	
>6~80	±0.20	DESIGN	LI JINTANG	05.12.08	STANDARD	REV. : A	SCALE : -
>80~240	±0.30	CHECKED			TECHNOLOGY	PROJECTION:	UNIT : MM
>240~400	±0.50	APPROVED			Q.A		2/2
// ⊥ ⊙ ±0.10							