
PM5075J

Silicon N-Channel Power MOS FET Module

HITACHI

November 1996

Application

High Speed Power Switching

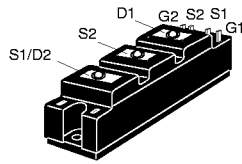
Features

- Equipped with Power MOS FET
- Low on-resistance
- High speed switching
- Low drive current
- Wide area of safe operation
- Inherent parallel diode between source and drain
- Isolated base from Terminal
- Suitable for motor driver, switching regulator and etc.

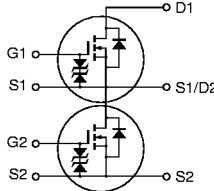
PM5075J

Outline

LF-J



Equivalent Circuit



No	Electrode	Terminals	Remarks
S1	Source 1	M5 screw	Power terminal
D1	Drain 1	M5 screw	
S2	Source 2	M5 screw	
D2	Drain 2	M5 screw	
G1	Gate 1	#110	Signal terminals
S1	Source 1	#110	
G2	Gate 2	#110	
S2	Source 2	#110	

Absolute Maximum Ratings (Ta = 25°C) (Per FET chip)

Item	Symbol	Rating	Unit
Drain source voltage	$V_{(BR)DSS}$	500	V
Gate source voltage	$V_{(BR)GSS}$	±30	V
Drain current	I_D	75	A
Drain peak current	$I_{D(peak)}$	180	A
Body to drain diode reverse drain current	I_{DR}	75	A
Body to drain diode reverse peak current	$I_{DR(peak)}$	180	A
Channel dissipation	P_{ch}^{*1}	300	W
Channel temperature	T_{ch}	150	°C
Storage temperature	T_{stg}	-45 to +125	°C
Insulation dielectric	V_{iso}^{*2}	2000	Vrms

- Notes
1. Value at Ta = 25°C
 2. Base to terminals AC minute

Electrical Characteristics (Ta = 25°C) (Per FET chip)

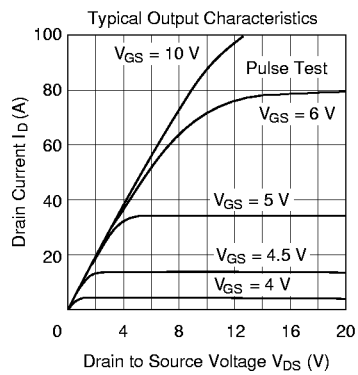
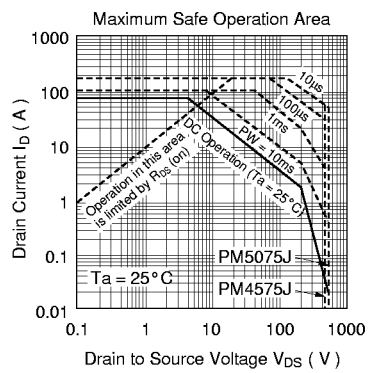
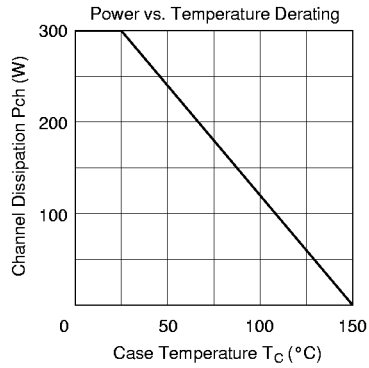
Item	Symbol	Min	Typ	Max	Unit	Test Condition
Drain to source breakdown voltage	$V_{(BR)DSS}$	500	—	—	V	$I_D = 10 \text{ mA}, V_{GS} = 0 \text{ V}$
Gate to source leak current	I_{GSS}	—	—	±10	μA	$V_{GS} = \pm 25 \text{ V}, V_{DS} = 0 \text{ V}$
Gate to source breakdown voltage	$V_{(BR)GSS}$	±30	—	—	V	$I_G = \pm 100 \text{ μA}, V_{DS} = 0 \text{ V}$
Drain leak current	I_{DSS}	—	—	500	μA	$V_{DS} = 400 \text{ V}, V_{GS} = 0 \text{ V}$
Gate to source threshold voltage	$V_{GS(th)}$	2.0	—	3.0	V	$I_D = 1 \text{ mA}, V_{DS} = 10 \text{ V}$
Drain to source saturation voltage	$V_{DS(on)}$	—	3.7	4.44	V	$I_D = 37 \text{ A}, V_{GS} = 10 \text{ V}^{*1}$
Static drain-source on state resistance	$R_{DS(on)}$	—	0.10	0.12	Ω	$I_D = 37 \text{ A}, V_{GS} = 10 \text{ V}^{*1}$
Forward transfer admittance	$ y_{fs} $	—	45	—	S	$I_D = 37 \text{ A}, V_{DS} = 10 \text{ V}^{*1}$
Input capacitance	C_{iss}	—	9600	—	pF	$V_{DS} = 10 \text{ V}, V_{GS} = 0 \text{ V}$
Output capacitance	C_{oss}	—	2300	—		$f = 1 \text{ MHz}$
Reverse transfer capacitance	C_{rss}	—	330	—		
Turn-on delay time	$t_{d(on)}$	—	100	—	ns	$I_D = 37 \text{ A}, V_{GS} = 10 \text{ V}$
Rise time	t_r	—	310	—		$R_g = 50 \text{ Ω}$
Turn-off delay time	$t_{d(off)}$	—	550	—		$R_L = 1 \text{ Ω}$
Fall time	t_f	—	135	—		
Body to drain diode forward voltage	V_{DF}	—	1.8	—	V	$I_F = 75 \text{ A}, V_{GS} = 0 \text{ V}$
Body to drain diode reverse recovery time	t_{rr}	—	130	—	ns	$I_F = 75 \text{ A}, V_{GS} = 0 \text{ V}$ $di/dt = 100 \text{ A/μs}$

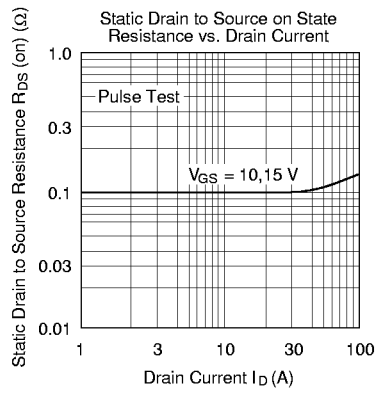
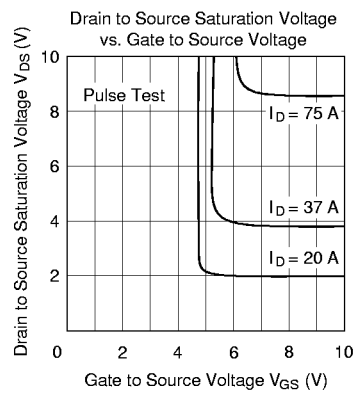
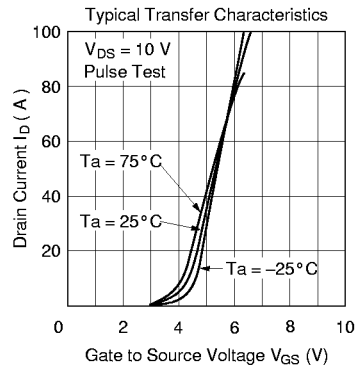
Note 1. Pulse Test

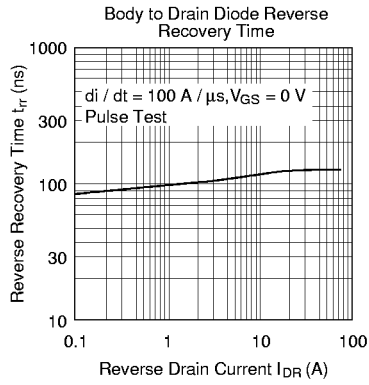
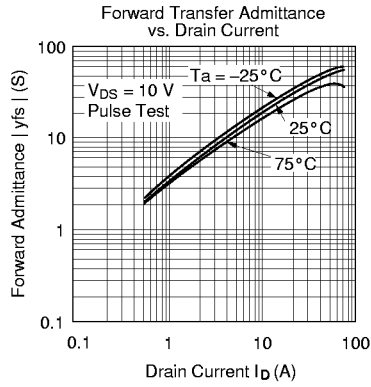
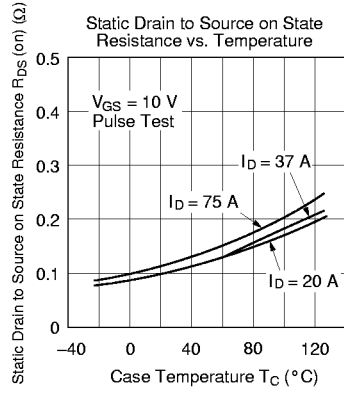
Mechanical Characteristics

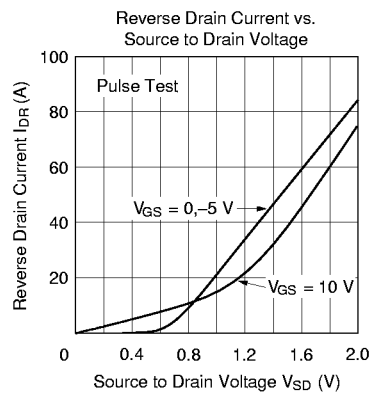
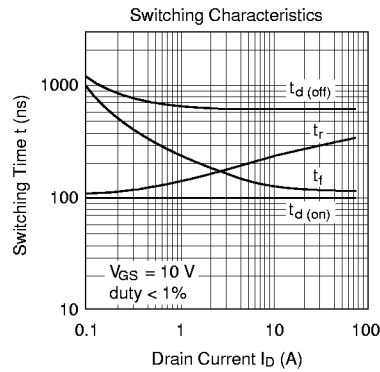
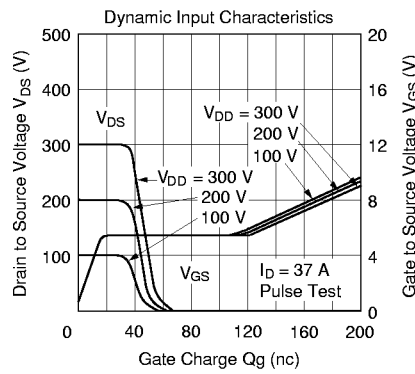
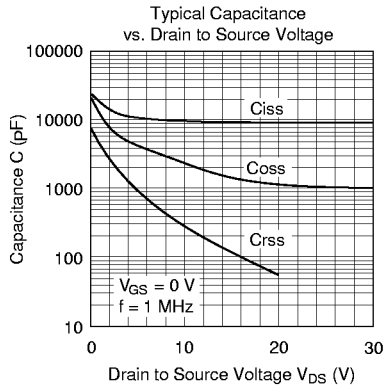
Item	Symbol	Condition	Rating	Unit
Fixing strength	—	Mounting into main-terminal with M4 screw	1.45 to 1.95	N-m
	—	Mounting into heat sink with M5 screw	1.95 to 2.9	N-m
Weight	—	Typical value	200	g

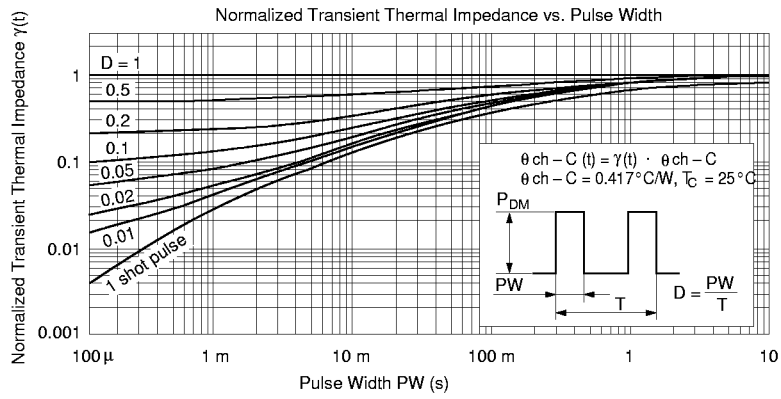
PM5075J



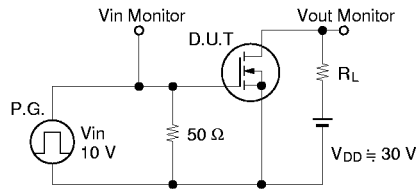




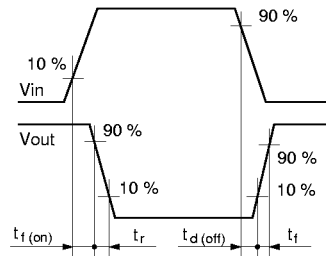




Switching Time Test Circuit

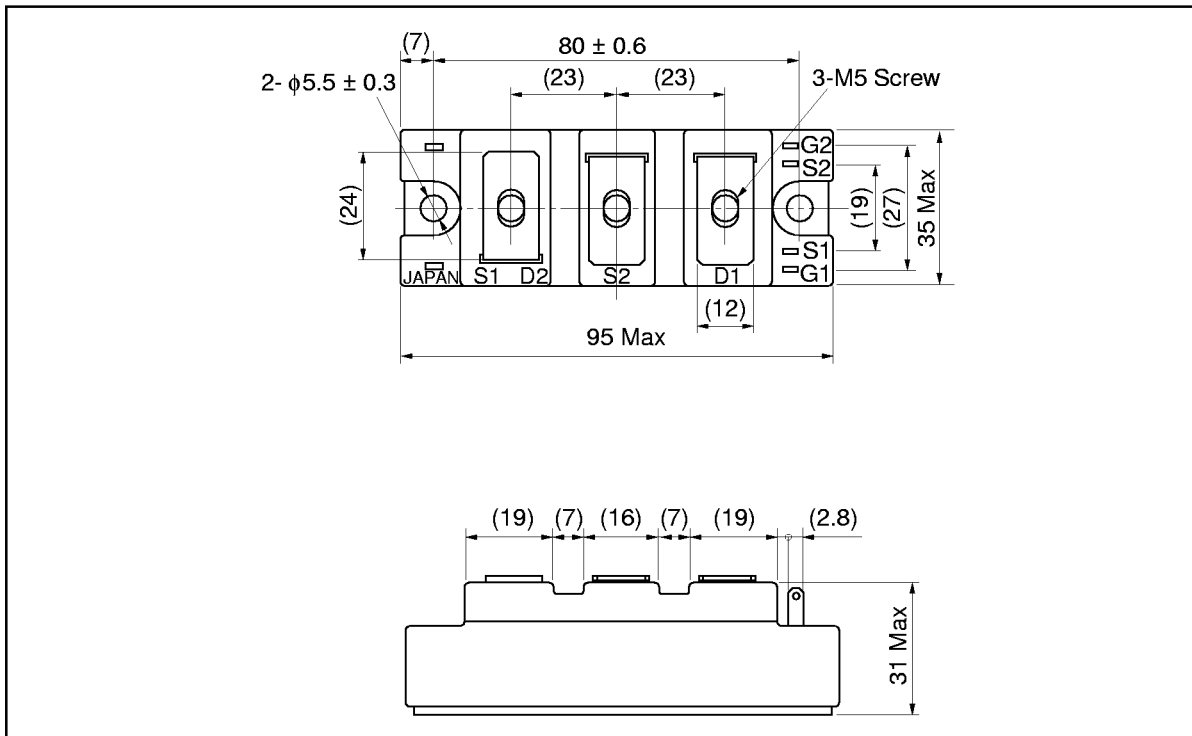


Waveforms



Package Dimensions

Unit: mm



When using this document, keep the following in mind:

1. This document may, wholly or partially, be subject to change without notice.
2. All rights are reserved: No one is permitted to reproduce or duplicate, in any form, the whole or part of this document without Hitachi's permission.
3. Hitachi will not be held responsible for any damage to the user that may result from accidents or any other reasons during operation of the user's unit according to this document.
4. Circuitry and other examples described herein are meant merely to indicate the characteristics and performance of Hitachi's semiconductor products. Hitachi assumes no responsibility for any intellectual property claims or other problems that may result from applications based on the examples described herein.
5. No license is granted by implication or otherwise under any patents or other rights of any third party or Hitachi, Ltd.
6. **MEDICAL APPLICATIONS:** Hitachi's products are not authorized for use in **MEDICAL APPLICATIONS** without the written consent of the appropriate officer of Hitachi's sales company. Such use includes, but is not limited to, use in life support systems. Buyers of Hitachi's products are requested to notify the relevant Hitachi sales offices when planning to use the products in **MEDICAL APPLICATIONS**.

HITACHI

Hitachi, Ltd.

Semiconductor & IC Div.
Nippon Bldg., 2-6-2, Ohte-machi, Chiyoda-ku, Tokyo 100, Japan
Tel: Tokyo (03) 3270-2111
Fax: (03) 3270-5109

For further information write to:

Hitachi America, Ltd.
Semiconductor & IC Div.
2000 Sierra Point Parkway
Brisbane, CA. 94005-1835
U S A
Tel: 415-589-8300
Fax: 415-583-4207

Hitachi Europe GmbH
Electronic Components Group
Continental Europe
Dornacher Straße 3
D-85622 Feldkirchen
München
Tel: 089-9 91 80-0
Fax: 089-9 29 30 00

Hitachi Europe Ltd.
Electronic Components Div.
Northern Europe Headquarters
Whitebrook Park
Lower Cookham Road
Maidenhead
Berkshire SL6 8YA
United Kingdom
Tel: 0628-585000
Fax: 0628-778322

Hitachi Asia Pte. Ltd.
16 Collyer Quay #20-00
Hitachi Tower
Singapore 0104
Tel: 535-2100
Fax: 535-1533

Hitachi Asia (Hong Kong) Ltd.
Unit 706, North Tower,
World Finance Centre,
Harbour City, Canton Road
Tsim Sha Tsui, Kowloon
Hong Kong
Tel: 27359218
Fax: 27306071