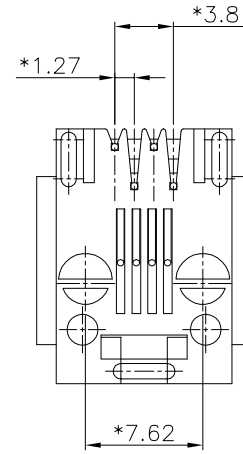
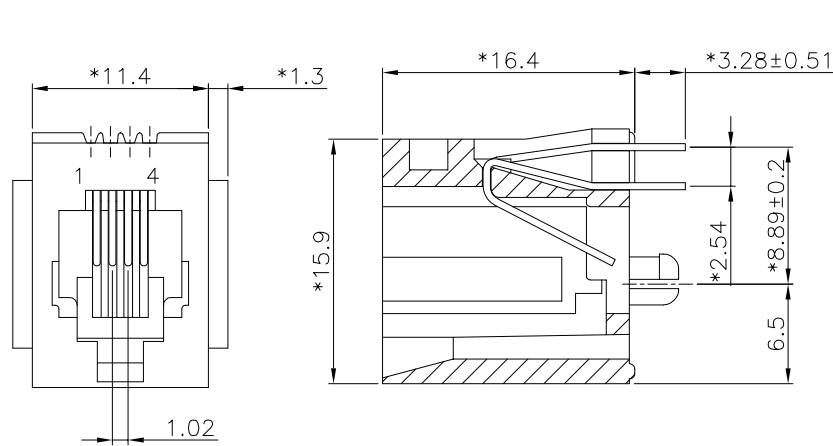


REVISION RECORD				
REV	ECO	DESCRIPTION	DRFT	CHKD



**NOTES:**

**ELECTRICAL:**

1. VOLTAGE RATING: 125 VAC RMS MIN.
2. CURRENT RATING: 1.5 AMP MIN.
3. CONTACT RESISTANCE: 30 MILLIOHMS MAX.
4. INSULATION RESISTANCE: 1000 MEGOHMS  $\Delta$  MIN @ 500 VDC.
5. DIELECTRIC STRENGTH: 1000 VAC RMS 60Hz, 1MIN.

**MECHANICAL:**

1. HOUSING MATERIAL: NYLON+30%GF UL94V-0.
2. CONTACT MATERIAL: PHOSPHOR BRONZE  $\phi$ 0.46mm.
3. PLATING: GOLD PLATING OVER NICKEL.
4. OPERATING LIFE: 750 CYCLES MIN.
5. PCB RETENTION PRE-SOLDER: 1 LB MIN.
6. PCB RETENTION POST-SOLDER: 10 LBS MIN.

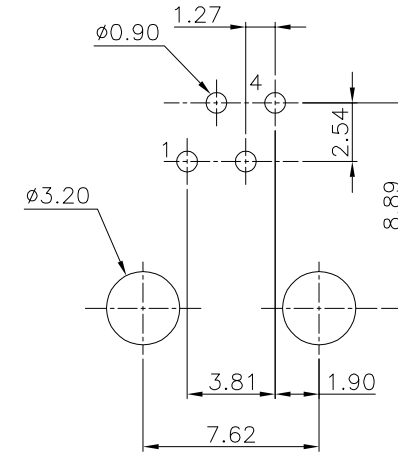
**ENVIRONMENTAL:**

1. STORAGE: -40°C TO +85°C.
2. OPERATION: -40°C TO +85°C.
3. WAVE SOLDERING TEMPERATURE: 255~265°C (5~10SECONDS)

MATES WITH MODULAR PLUG CONFORMING TO  
FCC PART 68, SUBPART F.  
CUL FILE NO. E163191

Lead-Free P/N: E524X-000BXX-L

NO. OF CONTACT	1- 3u"	2- 6u"
2-2 CONTACTS	3-15u"	4-30u"
4-4 CONTACTS	5-50u"	6-Pd 20u"
	3-W/ PANNEL STOP	
	4-W/O PANNEL STOP	



PC Board Layout  
Component Side Shown

DETACHED LISTS	← MM (INCH) →		DFTO WYJ	DATE 06/09/05'	FULL RISE ELECTRONIC CO., LTD	
	TOLERANCES EXCEPT AS NOTED		CHKD	DATE		
	MM	±	MFO	DATE	TITLE TOP ENTRY PCB JACK 4P	
	.0 ±0.20	±	APPLV XLF	DATE 06/13/05'		
	.00 ±0.15	±	MATERIAL :		DRAWING NO. GE523005_LA	
.000 ±0.075	±	ANGLES ±		/PART NO. SEE NOTE		
THIRD ANGLE PROJECTION		QT'Y :		SCALE :	SIZE A3	REV 0
DO NOT SCALE DRAWING				SHEET X	OF Y	