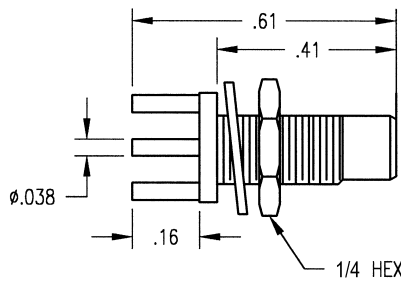
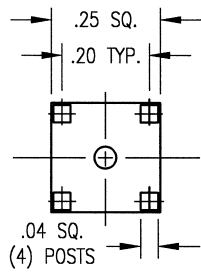


SMC: Printed Circuit Receptacle

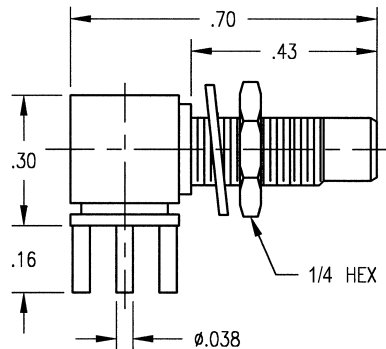
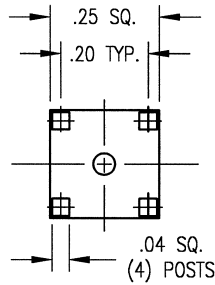
Straight Jack Bulkhead Mount



Part Number	Mounting Hole
501-060-0080H	No. 060B, No. 080

- See pages 83 for mounting hole layout.
- Part number shown is for gold plated.
- For nickel plate change suffix to "N".

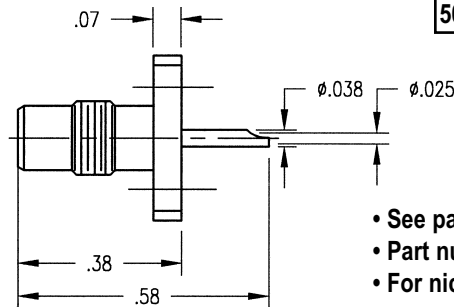
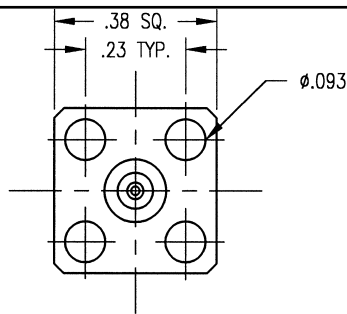
Right Angle Jack Bulkhead Mount



Part Number	Mounting Hole
503-060-0080H	No. 060B, No. 080

- See pages 83 for mounting hole layout.
- Part number shown is for gold plated.
- For nickel plate change suffix to "N".

Straight Jack Panel Mount 4 Hole

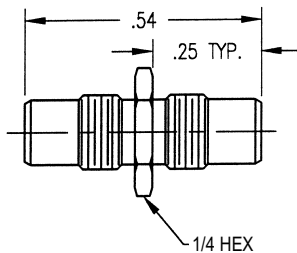


Part Number	Mounting Hole
501-071-0000H	No. 060B, No. 080

- See pages 83 for mounting hole layout.
- Part number shown is for gold plated.
- For nickel plate change suffix to "N"

SMC: In-Series Adapters

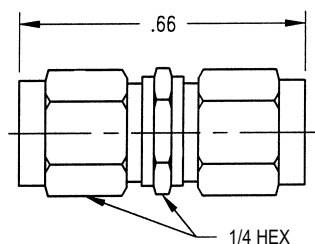
Jack / Jack



Part Number
501-501-0000H

- Part number shown is for gold plated.
- For nickel plate change suffix to "N".

Plug / Plug



Part Number
500-500-0000H

- Part number shown is for gold plated.
- For nickel plate change suffix to "N".

Note: Dimensions shown in inches.

Winchester/Retconn