

5118 NL

DC axial compact fan



ebm-papst St. Georgen GmbH & Co. KG

Hermann-Papst-Straße 1

D-78112 St. Georgen

Phone: +49(0)7724/81-0

Fax: +49(0)7724/81-1309

info2@de.ebmpapst.com

www.ebmpapst.com

Nominal data

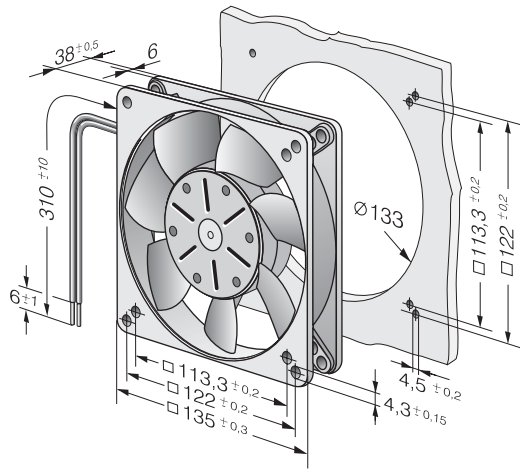
Type	5118 NL	
Nominal voltage	VDC	48
Nominal voltage range	VDC	24 .. 60
Speed	min ⁻¹	1400
Power input	W	2.6
Min. ambient temperature	°C	-25
Max. ambient temperature	°C	72
Air flow	m ³ /h	122
Sound power level	B	4.1
Sound pressure level	dB(A)	28

ml = max. load · me = max. efficiency · rfa = running at free air · cs = customer specs · cu = customer unit
Subject to alterations

Technical features

Dimensions	135 x 135 x 38 mm
General description	DC fan with electronically commutated external rotor motor. Commutation electronics completely integrated.
Connection line	2 single strands AWG 22, TR 64. Housing with grounding lug for tapping screw M4 x 8 (TORX), with screws.
Locked-rotor protection	Electronic blocking protection
Direction of rotation	Left, looking at rotor
Direction of air flow	Air exhaust over bars
Bearing	Ball bearings
Lifetime L10 at 40 °C	85000 h
Lifetime L10 at maximum temperature	40000 h
Mass	0.650 kg
Housing material	Metal
Material of impeller	Metal
Motor protection	With electronic reverse polarity protection. The fan runs only if the polarity is correct.
Approval	CE

Product drawing



Charts: Air flow

