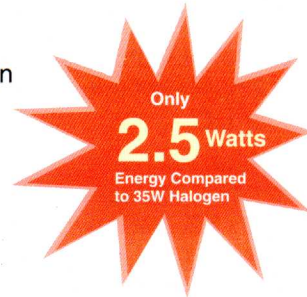




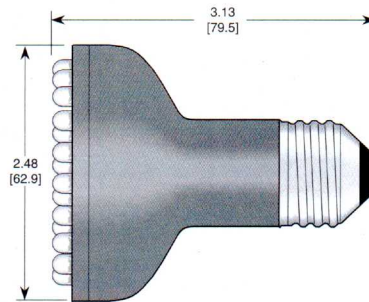
PAR20 Spotlight LED Lamps

Features

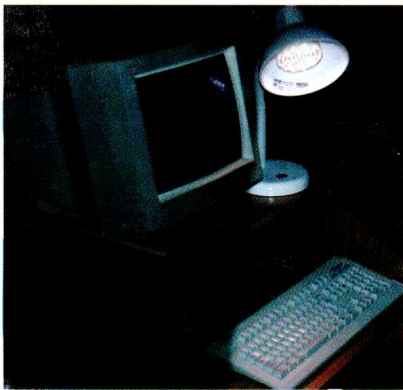
- Easy Installation Using Existing Socket
- LED Operating Life: 100,000+ hrs (10+ years)
- Solid-State, Fast Turn on, No Power Surge
- High Shock/Vibration Resistant
- Major Power Savings
- Voltages Available: 12V, 24V, 28V, 120VAC, 240VAC
- Major Reduction in Heat Generation
- Three-Year Lamp Warranty
- Choice of 13 Colors & Infrared



Dimensions



PAR20



Viewing Angle Options*

12° to 15°



Narrow Angle (N)

20° to 30°



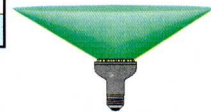
Standard Angle (S)

50° to 60°



Medium Angle (M)

120°



Wide Angle (W)

Part Number	LED Color	Input Voltage	Power (Watts) typ	** Illumination (End Lumens)	Intensity per LED I_v (mcd) typ	λ_p (nm)
PAR20-66-0UR-120AN	UL RED	120VAC	2-4	121 @ 15°	2000	660
PAR20-66-0ER-120AN	SP RED	120VAC	2-4	228 @ 15°	3500	633
PAR20-66-0UO-120AN	SP ORANGE	120VAC	2-4	502 @ 15°	6500	612
PAR20-66-0UY-120AN	SP YELLOW	120VAC	2-4	198 @ 15°	5500	595
PAR20-66-0PY-120AN	SP P YELL	120VAC	2-4	198 @ 15°	5500	592
PAR20-66-0YW-120AS	YEL WHITE	120VAC	2-4	241 @ 20°	3K/6K	592/8000K
PAR20-66-0IW-120AS	INC WHITE	120VAC	2-4	170 @ 20°	2000	4500K
PAR20-66-0CW-120AS	Cool WHITE	120VAC	2-4	340 @ 20°	6000	8000K
PAR20-66-2CW-120AN	Cool WHITE	120VAC	2-4	132 @ 15°	2000	8000K
PAR20-66-0UG-120AN	L GREEN	120VAC	2-4	66 @ 15°	1000	570
PAR20-66-0AG-120AN	AQ GREEN	120VAC	2-4	785 @ 15°	10,000	525
PAR20-66-1AG-120AN	AQ GREEN	120VAC	2-4	198 @ 15°	3000	525
PAR20-66-2AG-120AN	AQ GREEN	120VAC	2-4	396 @ 15°	6000	525
PAR20-66-0BG-120AN	B GREEN	120VAC	2-4	198 @ 15°	3000	505
PAR20-66-1BG-120AN	B GREEN	120VAC	2-4	66 @ 15°	1000	505
PAR20-66-2BG-120AN	B GREEN	120VAC	2-4	132 @ 15°	2000	505
PAR20-66-0PB-120AN	SP BLUE	120VAC	2-4	198 @ 15°	3000	470
PAR20-66-1PB-120AN	SP BLUE	120VAC	2-4	66 @ 15°	1000	470
PAR20-66-2PB-120AN	SP BLUE	120VAC	2-4	132 @ 15°	2000	470
PAR20-66-00B-120AN	UL BLUE	120VAC	2-4	33 @ 15°	500	430
PAR20-66-851-120AN	INFRARED	120VAC	2-4		12mW [‡]	850
PAR20-66-881-120AN	INFRARED	120VAC	2-4		10mW [‡]	880
PAR20-66-941-120AN	INFRARED	120VAC	2-4		8mW [‡]	940

For Other Voltages, Replace -120AN with -012N (for 12VDC), -024N (for 24VDC), -240AN (for 240VAC)

* Replace N in Part Number with Required Viewing Angle Options
N - Narrow (12°) S - Standard (30°) M - Medium (50°) W - Extra Wide (120°)

** 1 End-Lumen is approximately 1 End-Footcandle, measurement for Narrow Angle (N)
(For more information, refer to page 5 "Common Light Measurement Terms")

‡ Infrared LED intensity is shown as typical milliwatt power per steradian

Log # 142A Rev 07-2001

Specifications subject to change without notice.

• Three-Year Lamp Warranty

LEDTRONICS, INC.
THE FUTURE OF LIGHT



23105 Kashiwa Court, Torrance, CA 90505
Phone: (800) 579-4875 or (310) 534-1505
Fax: (310) 534-1424
E-mail: webmaster@ledtronics.com
Website: www.ledtronics.com