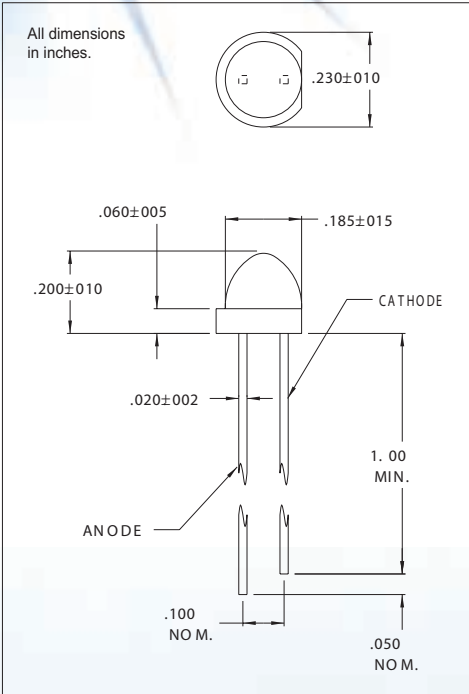


**T-1 3/4 Low Profile LED Lamps**  
**DESCRIPTION AND FEATURES**



These low profile T-1 3/4 lamps are available in a variety of color and lens effects providing a versatile package for many applications.

**ELECTRO-OPTICAL CHARACTERISTICS AND RATINGS**

PART NUMBER	CMD50152	CMD50154	CMD53152	CMD53154	CMD54152	CMD54154	CMD57152	CMD57154
Output Color	Red	Red	Yellow	Yellow	H.E.Green	H.E.Green	H.E.Red	H.E.Red
Diffusion	Non-Diffused	Diffused	Non-Diffused	Diffused	Non-Diffused	Diffused	Non-Diffused	Diffused
Package Color	Red	Red	Yellow	Yellow	Green	Green	Orange	Orange
Test Current (mA)	10	10	10	10	10	10	10	10
Forward Voltage Typ.(V)	1.6	1.6	2.1	2.1	2.2	2.2	2.0	2.0
Forward Voltage Max.(V)	2.0	2.0	3.0	3.0	3.0	3.0	3.0	3.0
Luminous Intensity Min.(mcd)	0.6	0.4	3.0	1.5	2.5	2.0	4.0	2.0
Luminous Intensity Typ.(mcd)	2.0	1.5	10	8.0	15	12	10	8.0
Luminous Intensity Max.(mcd)	-	-	-	-	-	-	-	-
Peak Wavelength(nm)	660	660	585	585	565	565	630	630
Viewing Angle 20 1/2 (degrees)	45	50	45	50	45	50	45	50
Power Dissipation (mW)	180	180	105	105	105	105	105	105
Operating Temperature (C°)	-55 to +100	-55 to +100	-55 to +100	-55 to +100	-55 to +100	-55 to +100	-55 to +100	-55 to +100
Storage Temperature (C°)	-55 to +100	-55 to +100	-55 to +100	-55 to +100	-55 to +100	-55 to +100	-55 to +100	-55 to +100
Peak Forward Current Max.(1µs @ 0.3% duty cycle)(mA)	100	100	100	100	90	90	100	100
Reverse Voltage (IR=100µA) (V)	5	5	5	5	5	5	5	5
Lead Solder Time @ 260°C	5	5	5	5	5	5	5	5