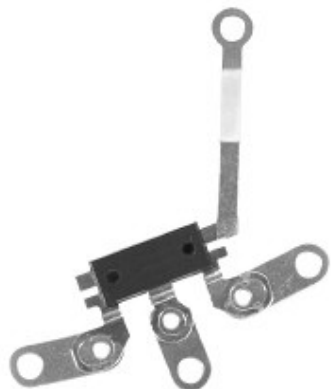
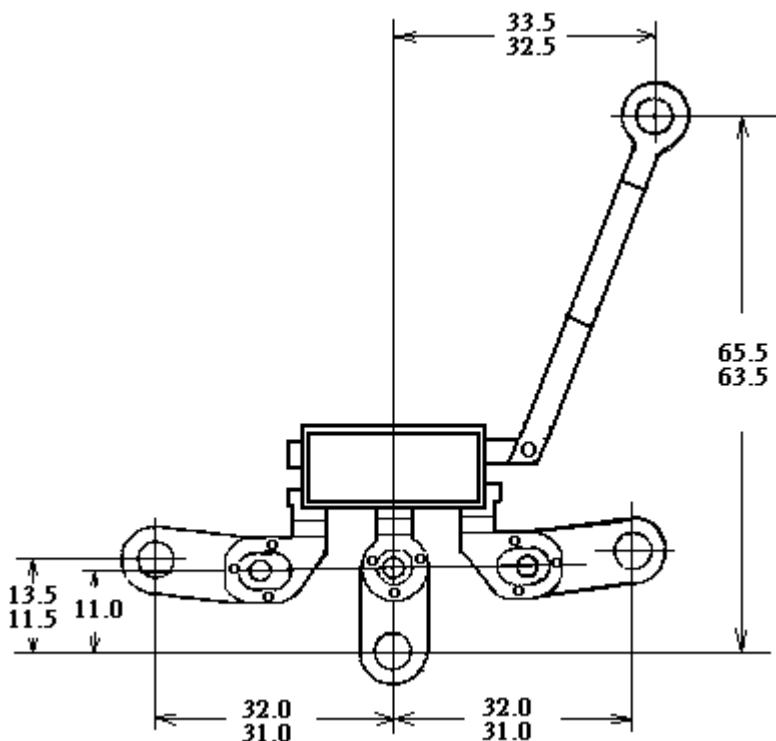


Description



33-109

Mechanical Dimensions



Dimensions in inches and (millimeters)

MAXIMUM RATINGS AND ELECTRICAL CHARACTERISTICS

Rating at 25°C ambient temperature unless otherwise specified.			
	SYMBOL	DT182	UNIT
Repetitive Peak Reverse Voltage	V _{RRM}	200	V
Maximum Average Forward Rectified Current @ T _c = 60°C	I _O	7.5	A
Peak Forward Surge Current, 8.3mS single half sine-wave superimposed on rated load (JEDEC)	I _{FSM}	150	A
Maximum Forward Voltage At 5A @ T _A =25°C	V _F	1.05	V
Maximum DC Reverse Current at Peak Reverse Voltage @ T _c = 25°C	I _R	5.0	μA
Maximum DC Reverse Current at Peak Reverse Voltage @ T _c = 100°C	I _R	500.0	μA
Operating Temperature Range	T _J	- 40 to + 155	°C
Storage Temperature Range	T _{STG}	- 40 to + 155	°C