

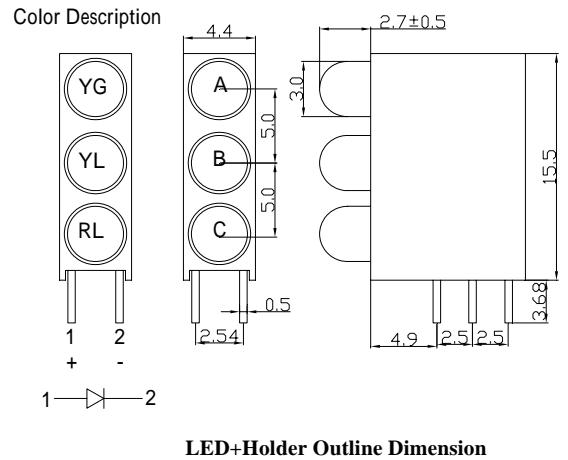
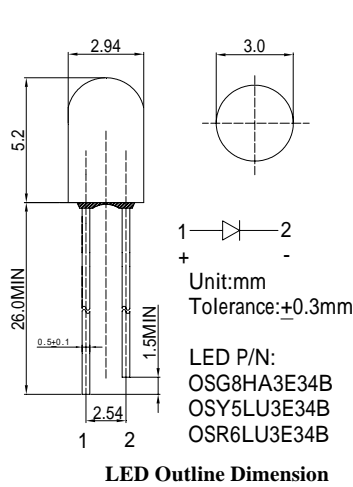
■Features

- High Luminous LEDs
- 3mm Round Standard Directivity
- Superior Weather-resistance
- UV Resistant Epoxy
- Color Diffused Type
- Holder Color: Black

■Applications

- Indicate Lamp
- Toys/Games/ Audio
- Other Lighting

■Outline Dimension

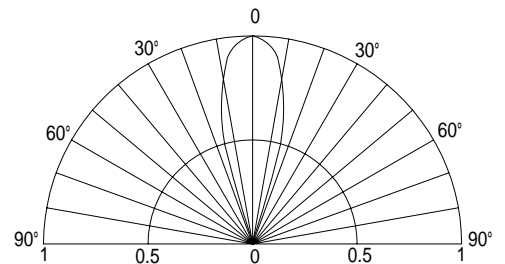


■Absolute Maximum Rating (Ta=25)

Item	Symbol	Value			Unit
		Red	YL	YG	
DC Forward Current	I _F	30	30	30	mA
Pulse Forward Current*	I _{FP}	100	100		mA
Reverse Voltage	V _R	5	5	5	V
Power Dissipation	P _D	78	78	78	mW
Operating Temperature	Topr	-30~+85			
Storage Temperature	Tstg	-40~+100			
Lead Soldering Temperature	Tsol	260 /5sec			-

*Pulse width Max.10ms Duty ratio max 1/10

■Directivity



■Electrical -Optical Characteristics (Ta=25)

Item	Symbol	Condition	Min.	Typ.	Max.	Unit
DC Forward Voltage	V _F (R/Y/YG)	I _F =20mA	1.8	2.1	2.6	V
DC Reverse Current	I _R	V _R =5V	-	-	10	μA
Domi. Wavelength	λ _D (YG)	I _F =20mA	565	570	575	nm
	λ _D (YL)	I _F =20mA	585	590	595	nm
	λ _D (Red)	I _F =20mA	630	640	650	nm
Luminous Intensity	I _v (YG)	I _F =20mA	68	100	-	mcd
	I _v (YL)	I _F =20mA	100	150	-	mcd
	I _v (Red)	I _F =20mA	100	150	-	mcd
50% Power Angle	2θ _{1/2}	I _F =20mA	-	30	-	deg

*1 Tolerance of dominant wavelength is ±1nm

*2 Tolerance of luminous intensity is ±15%