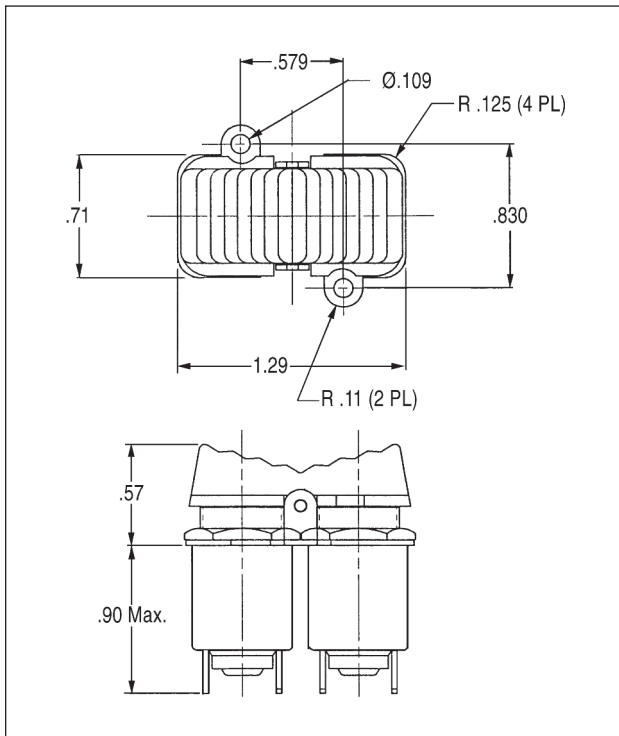


ONE MILLION CYCLE SEALED ROCKER SWITCH

The U2-277 (low level) and U2-278 rocker switches are designed to run a minimum of one million mechanical cycles and withstand extreme environmental conditions. Ideal for use in material handling, heavy equipment, off-road and construction equipment, and other outdoor applications where severe conditions are typically encountered. These momentary action, ON-OFF-ON switches provide crisp tactile feedback and are moistureproof and dusttight to IP64. Watertight to IP68S option is also available. The optional watertight seal will withstand direct water spray and the durable construction provides protection against extreme shock and vibration.

Features:

- One million cycle life
- Moistureproof & dusttight to IP64
- Optional IP68S watertight seal available
- Momentary action (ON-OFF-ON)
- Crisp tactile feedback
- Vibration & shock resistant
- Low level up to 10 amps switching capability



Standard Characteristics/Ratings:

ELECTRICAL RATINGS:

Load	Sea Level @ 28VDC or 115VAC
Resistive	10A
Inductive	5A
Lamp	3A
Low Level	10mA @ 30mV

Electrical Life: 100,000 cycles

Mechanical Life: 1,000,000 cycles

Seal: IP64 or IP68S

Operating Temp Range: -55°C to +85°C

Operating Force: 2.5 +0.5/-1.0 lb.

Reset Force: 0.75 lb. min

Total Travel: 0.080 inches max

Overtravel: 0.012 inches min

MATERIALS:

Button: Nylon black

Bracket: Stainless steel

Contacts: Fine silver, standard
Fine silver, gold plate for low level

Terminal Hardware: None provided

Mounting Hardware: None provided