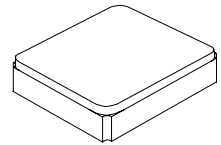




XTL1023

**26.00000 MHz
Crystal Unit**



SM2016-4

- **Surface Mount Seam Weld Package**
- **Excellent Frequency Stability over Temperature**
- **Ultra-miniature Package**
- **Complies with Directive 2002/95/EC (RoHS)**

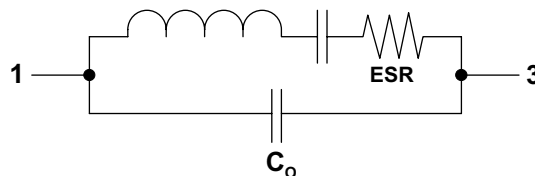


The XTL1023 is a surface mount 2.0 x 1.6 mm crystal unit for use in wireless telecommunications devices, especially where an ultra-miniature package is needed for mobility.

Electrical Characteristics

Characteristic	Sym	Notes	Minimum	Typical	Maximum	Units
Frequency	F _O			26.00000		MHz
Mode of Oscillation			Fundamental			
Frequency Tolerance at 25 ±3 °C			±10 ppm			
Storage Temperature Range			-40		+85	°C
Operating Temperature Range			-20		+75	°C
Frequency Stability over Operating Temperature Range		2	±10 ppm			
Equivalent Series Resistance	ESR				100	Ω
Nominal Drive Level					100	uW
Shunt Capacitance	C _O				2	pF
Load Capacitance	C _L			9		pF
Insulation Resistance			500 MΩ min @ 100V DC			
Standard Shipping Quantity on 178 mm (7") Reel				1000		units
Lid Symbolization (in addition to Lot and/or Date Codes)			3B // YW			

Crystal Equivalent Circuit



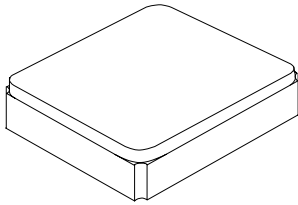
CAUTION: Electrostatic Sensitive Device. Observe precautions for handling.

Notes:

1. The design, manufacturing process, and specifications of this device are subject to change without notice.
2. Referenced to crystal frequency at 25 °C.

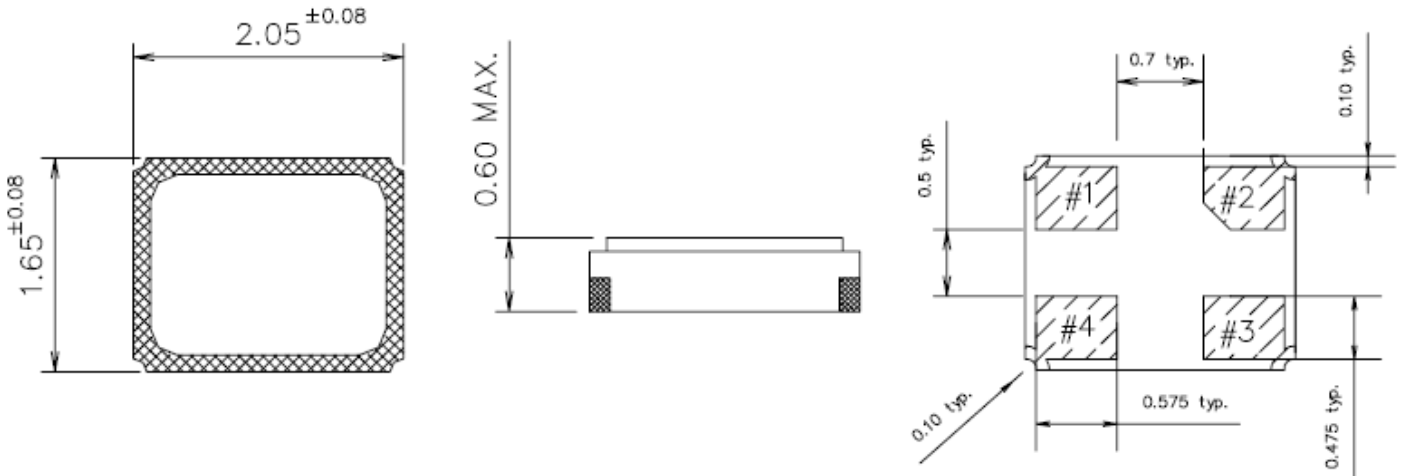
SM2016-4 Case

4-Terminal Ceramic Surface-Mount Case 2.0 X 1.6 mm Nominal Footprint

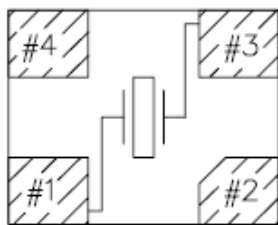


Electrical Connections

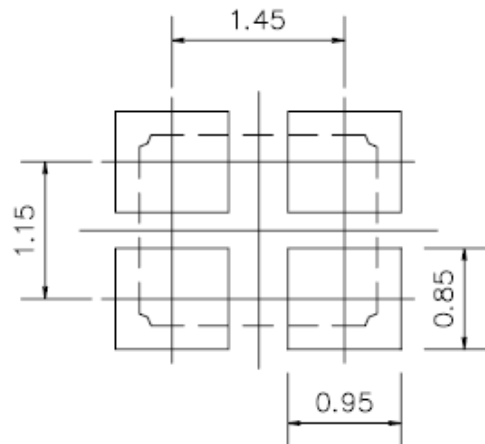
Connection	Terminals
Input / Output	1
Input / Output	3
Ground	2 & 4



Internal Connections (Top View)

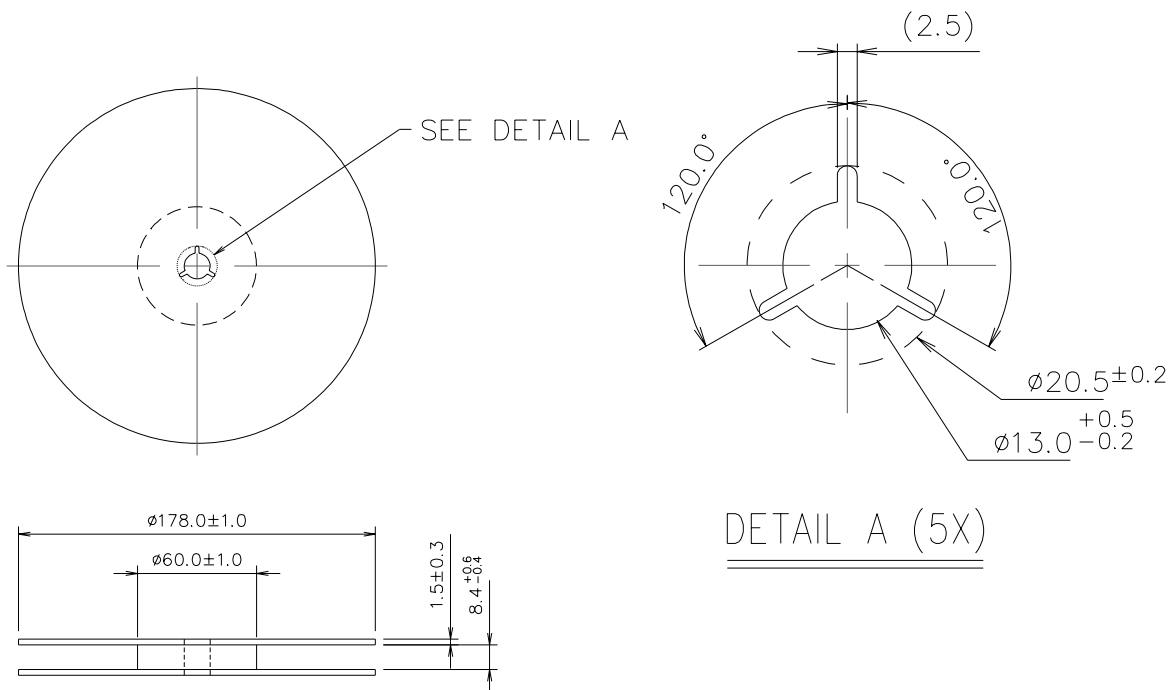


[NOTE] #2=NC, #4 is connected with a metal cover

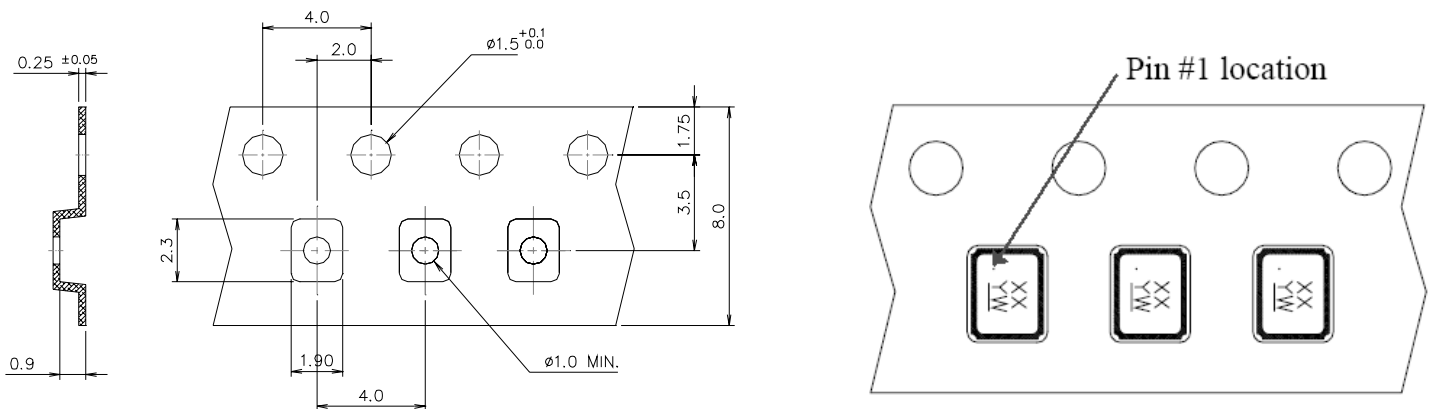


Recommended Land Pattern

Reel Dimensions (mm):



Tape Dimensions (mm):



NOTE:

1. Unless otherwise specified tolerance on dimension +/-0.1 mm.
2. Material: conductive polystyrene with color black.
3. 10 pitch cumulative tolerance +/-0.2 mm.