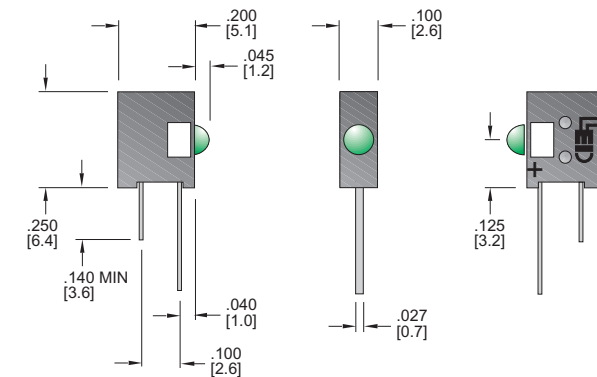


SINGLELEVEL^{3/4} [2mm] LEDs

PART NO.	COLOR	mA	Vf	lv mcd	
555M-2-001	DEEP RED	10	1.6/2.0	1.3/3.2	
555M-2-101	HI-EFF RED	10	1.8/3.0	1.0/3.0	
555M-2-301	GREEN	10	2.0/3.0	1.0/3.0	
555M-2-401	YELLOW	10	2.0/3.0	1.0/3.0	
555M-2-003	DEEP RED	6	5.0/6.0	0.6/1.2	*
555M-2-004	DEEP RED	16	5.0/6.0	1.0/3.0	*
555M-2-007	HI-EFF RED	3	5.0/6.0	0.8/2.0	*
555M-2-303	GREEN	5	5.0/6.0	0.2/0.5	*
555M-2-403	YELLOW	5	5.0/6.0	0.3/0.6	*

NOTES:
SCALE 2=1
HOUSING MATERIAL IS NYLON 66 (UL 94V-0)
ALL "Vf" READINGS ARE TYP/MAX
ALL "mcd" READINGS ARE MIN/TYP
"*" DENOTES LED WITH INTEGRATED RESISTOR



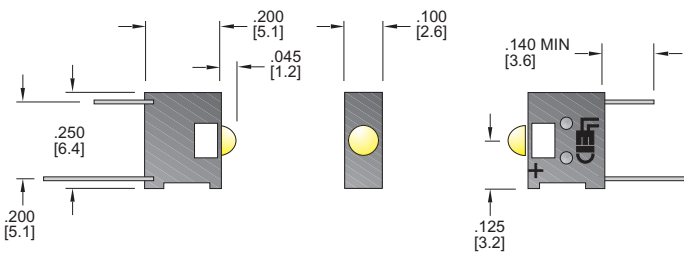
Options

-SI
SNAP IN



PART NO.	COLOR	mA	Vf	lv mcd	
555M-3-001	DEEP RED	10	1.6/2.0	1.3/3.2	
555M-3-101	HI-EFF RED	10	1.8/3.0	1.0/3.0	
555M-3-301	GREEN	10	2.0/3.0	1.0/3.0	
555M-3-401	YELLOW	10	2.0/3.0	1.0/3.0	
555M-3-003	DEEP RED	6	5.0/6.0	0.6/1.2	*
555M-3-004	DEEP RED	16	5.0/6.0	1.0/3.0	*
555M-3-007	HI-EFF RED	3	5.0/6.0	0.8/2.0	*
555M-3-303	GREEN	5	5.0/6.0	0.2/0.5	*
555M-3-403	YELLOW	5	5.0/6.0	0.3/0.6	*

NOTES:
SCALE 2=1
HOUSING MATERIAL IS NYLON 66 (UL 94V-0)
ALL "Vf" READINGS ARE TYP/MAX
ALL "mcd" READINGS ARE MIN/TYP
"*" DENOTES LED WITH INTEGRATED RESISTOR



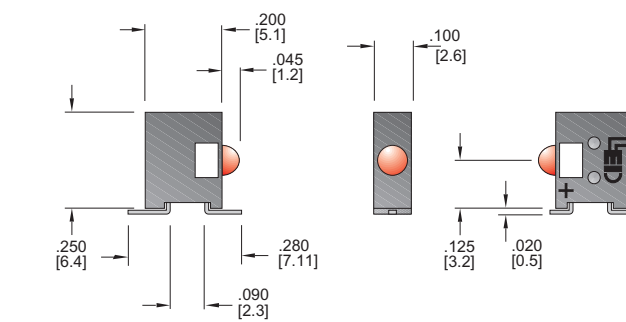
Options

-SI
SNAP IN



PART NO.	COLOR	mA	Vf	lv mcd	
SM555-2-001	DEEP RED	10	1.6/2.0	1.3/3.2	
SM555-2-101	HI-EFF RED	10	1.8/3.0	1.0/3.0	
SM555-2-301	GREEN	10	2.0/3.0	1.0/3.0	
SM555-2-401	YELLOW	10	2.0/3.0	1.0/3.0	
SM555-2-003	DEEP RED	6	5.0/6.0	0.6/1.2	*
SM555-2-004	DEEP RED	16	5.0/6.0	1.0/3.0	*
SM555-2-007	HI-EFF RED	3	5.0/6.0	0.8/2.0	*
SM555-2-303	GREEN	5	5.0/6.0	0.2/0.5	*
SM555-2-403	YELLOW	5	5.0/6.0	0.3/0.6	*

NOTES:
SCALE 2=1
HOUSING MATERIAL IS RYNITE (UL 94HB)
ALL "Vf" READINGS ARE TYP/MAX
ALL "mcd" READINGS ARE MIN/TYP
"*" DENOTES LED WITH INTEGRATED RESISTOR



Options

-SI
SNAP IN



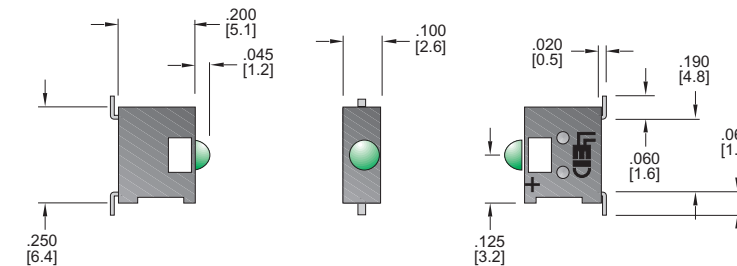
-P
LOCATING PIN



.028 SQ x .060 TAB

PART NO.	COLOR	mA	Vf	lv mcd	
SM555-3-001	DEEP RED	10	1.6/2.0	1.3/3.2	
SM555-3-101	HI-EFF RED	10	1.8/3.0	1.0/3.0	
SM555-3-301	GREEN	10	2.0/3.0	1.0/3.0	
SM555-3-401	YELLOW	10	2.0/3.0	1.0/3.0	
SM555-3-003	DEEP RED	6	5.0/6.0	0.6/1.2	*
SM555-3-004	DEEP RED	16	5.0/6.0	1.0/3.0	*
SM555-3-007	HI-EFF RED	3	5.0/6.0	0.8/2.0	*
SM555-3-303	GREEN	5	5.0/6.0	0.2/0.5	*
SM555-3-403	YELLOW	5	5.0/6.0	0.3/0.6	*

NOTES:
SCALE 2=1
HOUSING MATERIAL IS RYNITE (UL 94HB)
ALL "Vf" READINGS ARE TYP/MAX
ALL "mcd" READINGS ARE MIN/TYP
"*" DENOTES LED WITH INTEGRATED RESISTOR



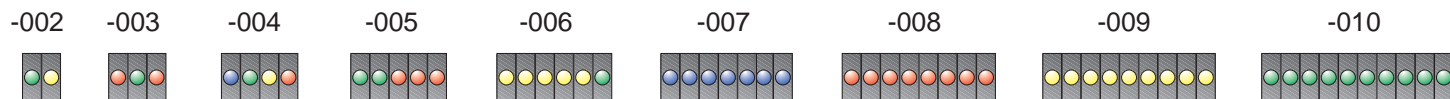
Options

-SI
SNAP IN



LEADS ARE CUT TO .140 ON ALL ARRAYS FOR "555M" SERIES

Arrays



LEDTRONICS, INC.®

23105 Kashiwa Court, Torrance, CA 90505
Phone: (800) 579-4875 or (310) 534-1505 Fax: (310) 534-1424