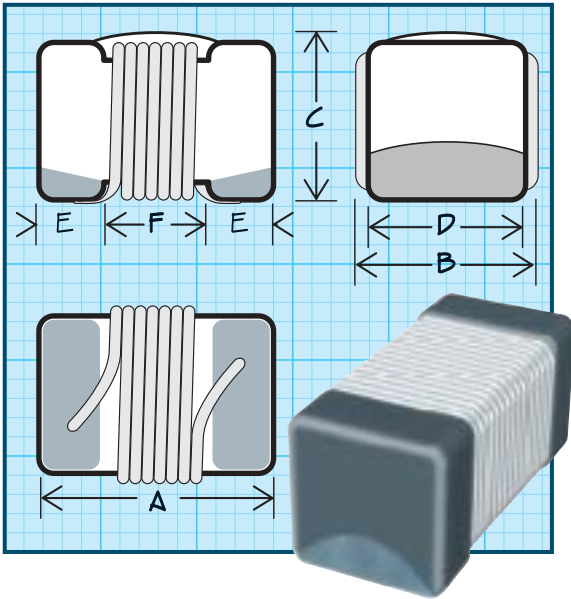


Series 0603 Open Construction Wirewound Surface Mount Inductors



Physical Parameters

	Inches	Milimeters
A	0.062 Max.	1.57 Max.
B	0.045 Max.	1.14 Max.
C	0.035 Max.	0.90 Max.
D	0.030 (Ref. only)	0.76 (Ref. only)
E	0.013 (Ref. only)	0.33 (Ref. only)
F	0.034 (Ref. only)	0.86 (Ref. only)

Operating Temperature Range -40°C to +125°C

Standard Termination 90/10 Solder;
optional Gold Termination is available specify by
suffixing the part number with the letter G

Inductance and Q tested on HP4291A using
HP16193A test fixture

Packaging Tape & reel (8mm): 7" reel,
4000 pieces max. Custom reel available.

PART NUMBER	INDUCTANCE (nH) ±10%	Q MINIMUM	INDUCTANCE & Q TEST FREQUENCY (MHz)	SRF MINIMUM (MHz)	DC RESISTANCE MAXIMUM (OHMS)	CURRENT RATING MAXIMUM (mA)
-------------	-------------------------	-----------	--	-------------------	---------------------------------	--------------------------------

SEREIS 0603 CERAMIC CORE						
0603-1N6K	1.6	24	250	12500	0.040	700
0603-1N8K	1.8	16	250	6000	0.075	700
0603-3N6K	3.6	22	250	5900	0.060	700
0603-3N9K	3.9	22	250	6000	0.080	700
0603-4N3K	4.3	22	250	5900	0.070	700
0603-4N7K	4.7	22	250	5800	0.110	700
0603-5N1K	5.1	22	250	5700	0.140	700
0603-6N8K	6.8	27	250	5800	0.110	700
0603-7N5K	7.5	28	250	4800	0.100	700
0603-8N7K	8.7	28	250	4600	0.110	700
0603-9N5K	9.5	28	250	4500	0.130	700
0603-10NK	10	38	250	4800	0.110	700
0603-11NK	11	33	250	4000	0.100	700
0603-12NK	12	37	250	4000	0.130	700
0603-15NK	15	37	250	4000	0.170	700
0603-16NK	16	34	250	3300	0.120	700
0603-18NK	18	37	250	3100	0.170	700
0603-22NK	22	40	250	3000	0.170	700
0603-24NK	24	37	250	2650	0.140	700
0603-27NK	27	37	250	2800	0.200	600
0603-30NK	30	37	250	2250	0.160	600
0603-33NK	33	39	250	2300	0.220	600
0603-36NK	36	38	250	2080	0.220	600
0603-39NK	39	39	250	2200	0.220	600
0603-43NK	43	39	250	2000	0.250	600
0603-47NK	47	37	200	2000	0.280	600
0603-56NK	56	37	200	1900	0.300	600
0603-68NK	68	38	200	1700	0.340	600
0603-72NK	72	33	150	1700	0.420	400
0603-82NK	82	33	150	1700	0.500	400
0603-101K	100	33	150	1400	0.520	400
0603-111K	110	33	150	1350	0.550	300
0603-121K	120	34	150	1300	0.670	300
0603-151K	150	28	150	990	1.100	280
0603-181K	180	25	100	990	1.200	240
0603-221K	220	25	100	900	1.800	200
0603-271K	270	24	100	900	2.100	170

Optional Tolerances: 9.5nH & Lower J = 5%
All Other Values: J = 5% H = 3% G = 2%

RF INDUCTORS