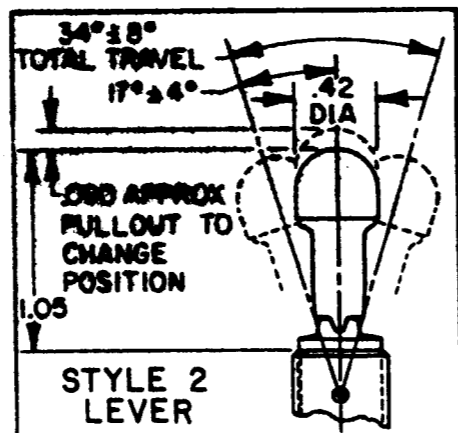
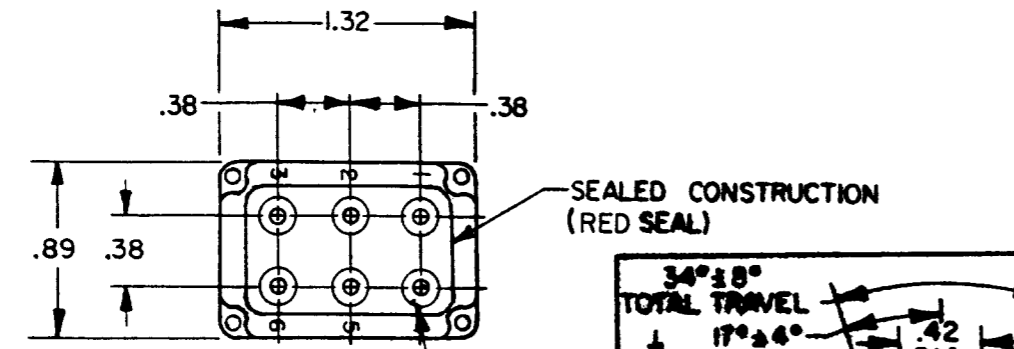
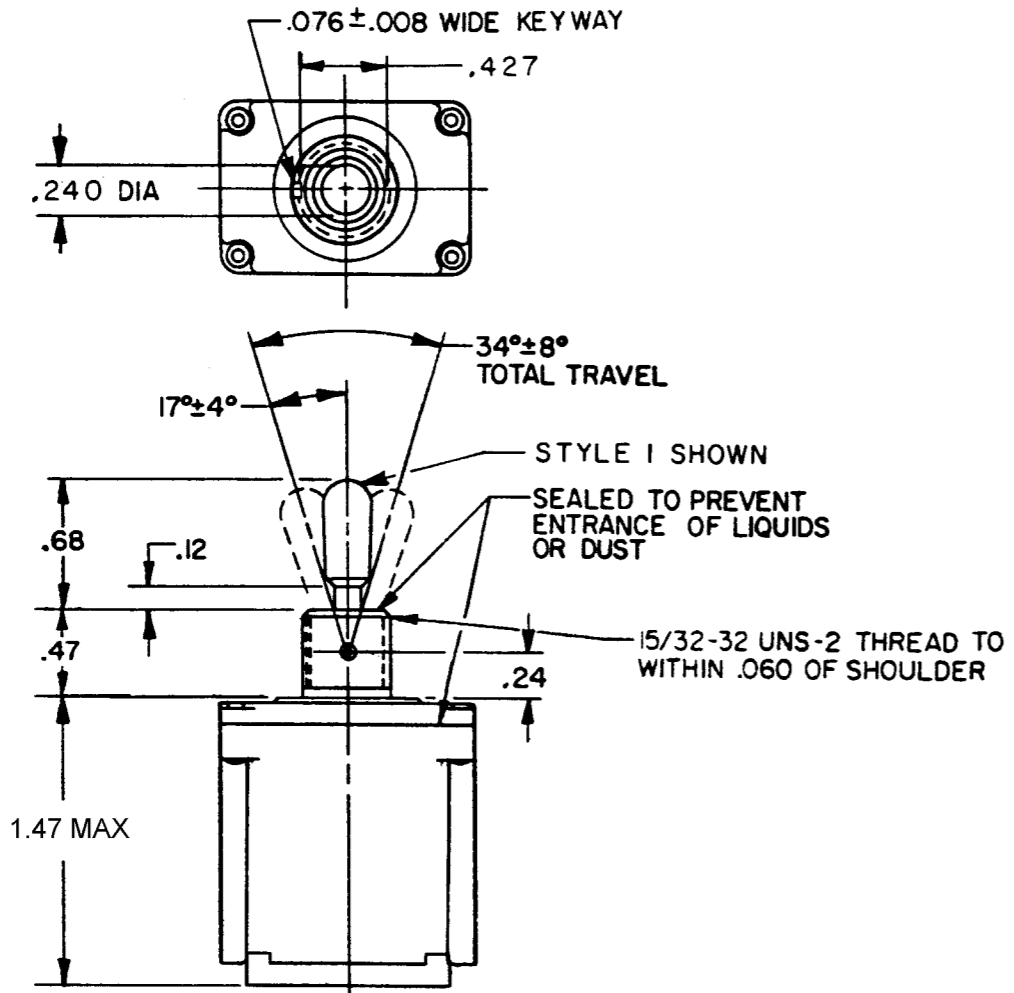
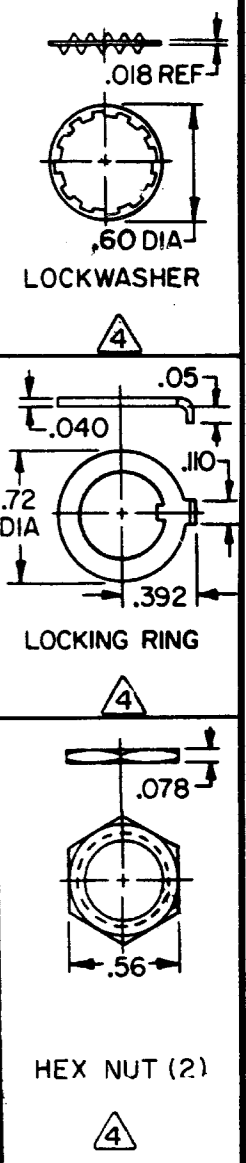


MILITARY PART NUMBER	CATALOG LISTING	AVAILABLE LOCKING COMBINATIONS FOR CONFIGURATION SEE LETTERING DETAILS	STYLE NUMBER	CURRENT CAPACITY (AMPS)								
				RESISTIVE LOAD				LAMP LOAD		INDUCTIVE LOAD		
				DC VOLTS	AC VOLTS	28 VDC	125 VAC	28 VDC	125 VAC			
MS-27785-2	102TL2-50	NONE	1	7.5	.75	.5	7.5	6	5	2	7.5	7.5
MS-27788-2/6	102TL2-50/6	E, F, K, L, M, N	2									



"A"	"B"	"D"	"E"	"F"
LOCKED IN THREE POSITIONS	LOCKED IN CENTER AND EXTREME POSITION (KEYWAY SIDE)	LOCKED OUT OF CENTER POSITION	LOCKED IN CENTER POSITION	LOCKED IN EXTREME POSITION (OPPOSITE KEYWAY)
"G"	"H"	"J"	"K"	"L"
LOCKED IN EXTREME POSITION (KEYWAY SIDE)	LOCKED OUT OF CENTER AND EXTREME POSITION (KEYWAY SIDE)	LOCKED OUT OF CENTER AND EXTREME POSITION (OPPOSITE KEYWAY)	LOCKED IN CENTER AND EXTREME POSITION (OPPOSITE KEYWAY)	LOCKED OUT OF EXTREME POSITION (KEYWAY SIDE)
"M"	"N"	"P"		
LOCKED OUT OF AND INTO EXTREME POSITION (OPPOSITE KEYWAY)	LOCKED OUT OF EXTREME POSITION (OPPOSITE KEYWAY)	LOCKED OUT OF AND INTO EXTREME POSITION (KEYWAY SIDE)		



CIRCUIT MADE WITH TOGGLE LEVER IN		
KEYWAY SIDE	CENTER	OPPOSITE KEYWAY
MOMENTARY POSITION	MAINTAINED POSITION	MAINTAINED POSITION

NOTES

- SWITCHES ARE CAPABLE OF WITHSTANDING A TEMPERATURE OF 160°F CONTINUOUSLY AT FULL RATED LOAD
- CIRCUIT DESIGNATION, MICRO SWITCH CATALOG LISTING, DATE CODE AND MS NUMBER IDENTIFIED ON SIDE OF SWITCH
- KEYWAY SHOWN ON LEFT SIDE
- FURNISHED UNASSEMBLED
- THESE SWITCHES ARE QUALIFIED UNDER MIL-S-3950
- SUFFIX LETTER MUST BE ADDED FOR DESIRED TYPE TOGGLE LOCKING. SEE CHART FOR AVAILABLE LOCKING COMBINATIONS
- THE SEALING GROMMET SHALL SEAL ON A SMOOTH WIRE INSULATION OF .040 TO .083 DIAMETERS (16-20 GAGE)
- UNUSED TERMINAL HOLES MAY BE SEALED WITH PLUGS M83723/28-20

THIRD ANGLE PROJECTION	
SCALE FULL	
DO NOT SCALE PRINT	
UNLESS OTHERWISE SPECIFIED TOLERANCES ARE	
ONE PLACE	(.0) ±.030
TWO PLACE	(.00) ±.015
THREE PLACE	(.000) ±.005
ANGLES	±
WEIGHT	.135 LB MAX

CATALOG LISTING
102TL2-50 SERIES CHART 1
 PAGE 1 OF 1
 RELEASE NO. CO-78465
 ISSUE 6
 REVISIONS
 A OBSOLETE CO-38382 J J 0 10 JUN 94
 B RESTATE CO-78465 J J 0 10 JUN 94
 C C092297 J A K 16 FEB 98
 D CO-93999 J J A 7 JULY 99
 E 201413 CSL 4 OCT 00
 CHECK 23 JUN 94
 CHECK KA G
 DRAWN RASTER
 J J O 10 JUN 94