

# Micro- Miniature Rotary Selector Switch

Series  
**13M**

Indexing  
**36°**

36°, 1 Pole/Deck  
10 Positions  
36°, 2 Poles/Deck  
5 Positions

Military  
Qualified  
to MIL-S-3786/13  
and listed on QPL

Switches feature totally enclosed, explosion-proof, unitized construction.

⑦ Electrical Rating: Continuous 8 Amps at 28 v.d.c.  
make and break .25 amp res. @ 115 v.a.c.  
(10,000 cycles) .25 amp res. @ 28 v.d.c.  
.12 amp ind. @ 28 v.d.c.

⑥ Dielectric strength: 500 VRMS.

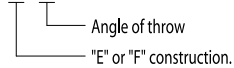
⑤ Each switch will be provided with two  
hexagon nuts. .312±.010 across flats and  
.062±.010 thick, and one internal tooth  
lockwasher .415 max. O.D.

④ Stop strength: 12 in. lbs. min.

NOTES:

③ 1 Pole/Deck, 10 position switches will  
be continuous rotation. All other  
switches will have stops.

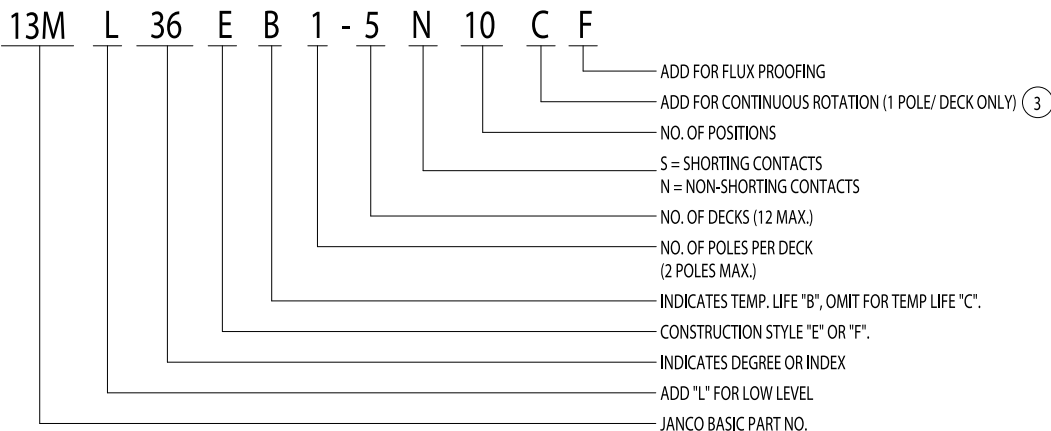
② Identify switches per MIL-S-3786, part no.  
(Ref.) 3786/13-0102. If MIL part no.  
is not specified, identify switches with:  
SR-13-E-30C-3-HPC



① All switches represented by this drawing  
conform to MIL-S-3786/13; Temp life  
characteristic "C", vibration grade "3",  
shock "H", and altitude "C".

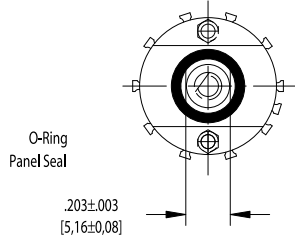
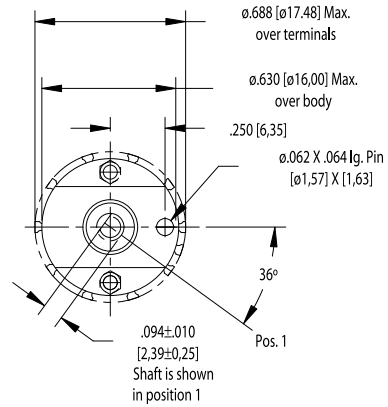
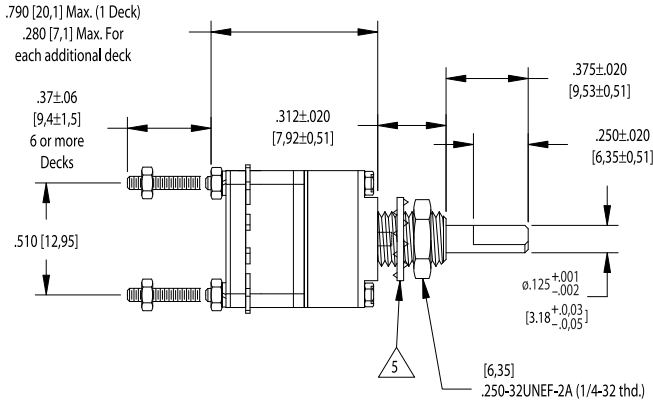
P/N CODE:

## HOW TO ORDER



If unable to use standard code, contact factory for UNIQUE PART NO.

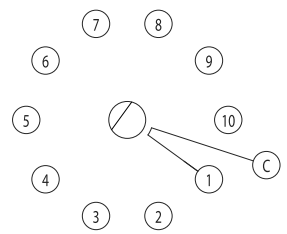
3111 Winona Avenue Burbank, California 91504 Phone: (818)846-1800 FAX: (818)842-3396



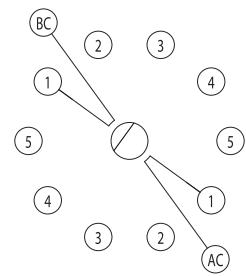
NOTE: DIMENSIONS ARE SHOWN IN INCHES AND [mm].

**"E" CONSTRUCTION STYLE**  
Explosion-proof, closed construction without sealed shaft and bushing

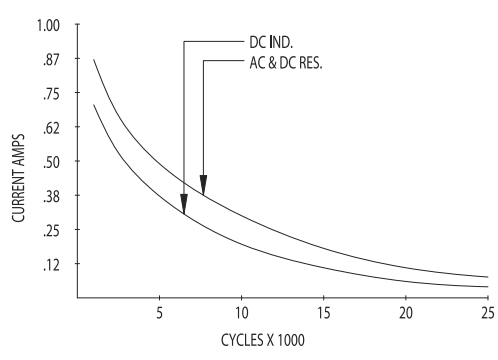
**"F" CONSTRUCTION STYLE**  
Explosion-proof, closed construction with sealed shaft and bushing



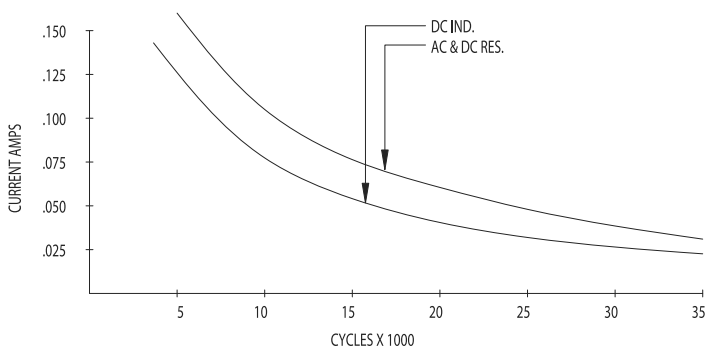
1 POLE PER DECK  
2-10 POSITIONS  
**1 POLE**



2 POLES PER DECK  
2-5 POSITIONS  
**2 POLES**



**Life Expectancy Curve - Standard Ratings**  
CONTACT RESISTANCE: .005 ohms initially - .020 ohms after life  
INSULATION RESISTANCE: 100,000 megohms initially  
10,000 megohms after life  
DIELECTRIC STRENGTH: 750 vrms initially - 500 vrms after life



**Life Expectancy curve - Low Level**  
Janco low level switches are designed to have an initial contact resistance less than .003 ohms, and less than .010 ohms during life. If a current rating greater than .15 amp is required use standard rating.