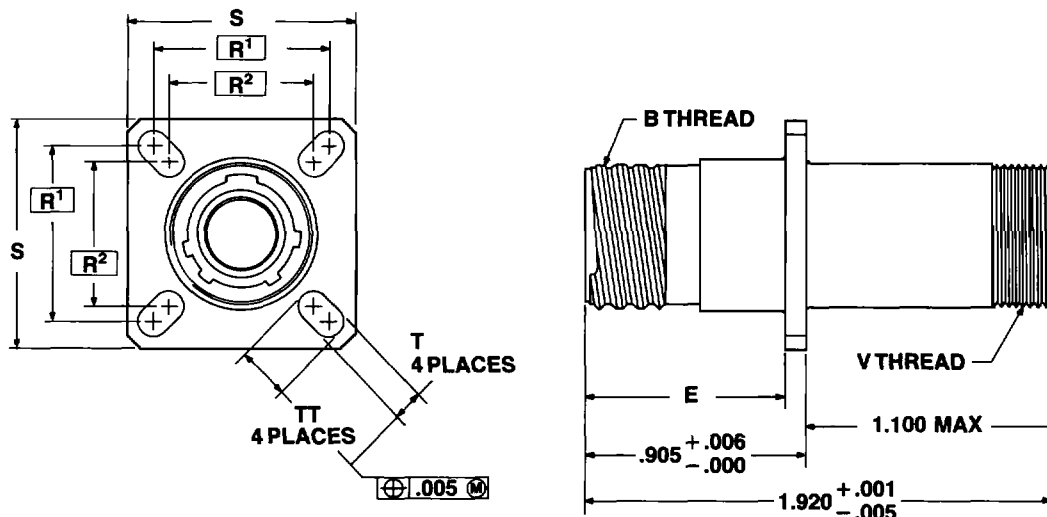


FTV wall mounting receptacle (UTS crimp)



21-50X0XX-XXX
UTS (Crimp)
Contact
MIL-C-39029/57

For ordering information, see how to order page 62.

Shell Size	B Thread Class 2A 0.1P-0.3L-TS (Plated)	E +.000 -.005	R ¹ TP	R ² TP	S ±.010	T +.008 -.006	V Thread Metric (Plated)	TT +.008 -.006
9	.6250	.820	.719	.594	.938	.128	M15X1-6g0.100R	.216
11	.7500	.820	.812	.719	1.031	.128	M18X1-6g0.100R	.194
13	.8750	.820	.906	.812	1.125	.128	M22X1-6g0.100R	.194
15	1.0000	.820	.969	.906	1.219	.128	M25X1-6g0.100R	.173
17	1.1875	.820	1.062	.969	1.312	.128	M28X1-6g0.100R	.194
19	1.2500	.820	1.156	1.062	1.438	.128	M31X1-6g0.100R	.194
21	1.3750	.790	1.250	1.156	1.562	.128	M34X1-6g0.100R	.194
23	1.5000	.790	1.375	1.250	1.688	.154	M37X1-6g0.100R	.242
25	1.6250	.790	1.500	1.375	1.812	.154	M41X1-6g0.100R	.242

All dimensions for reference only.