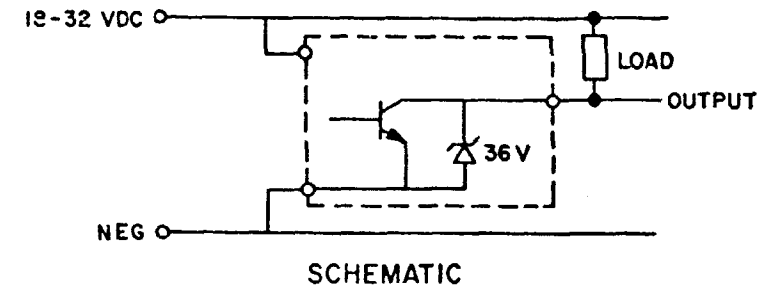


MICRO SWITCH
 FREEPORT ILLINOIS U.S.A.
 A DIVISION OF HONEYWELL
 FED. MFG. CODE 91929

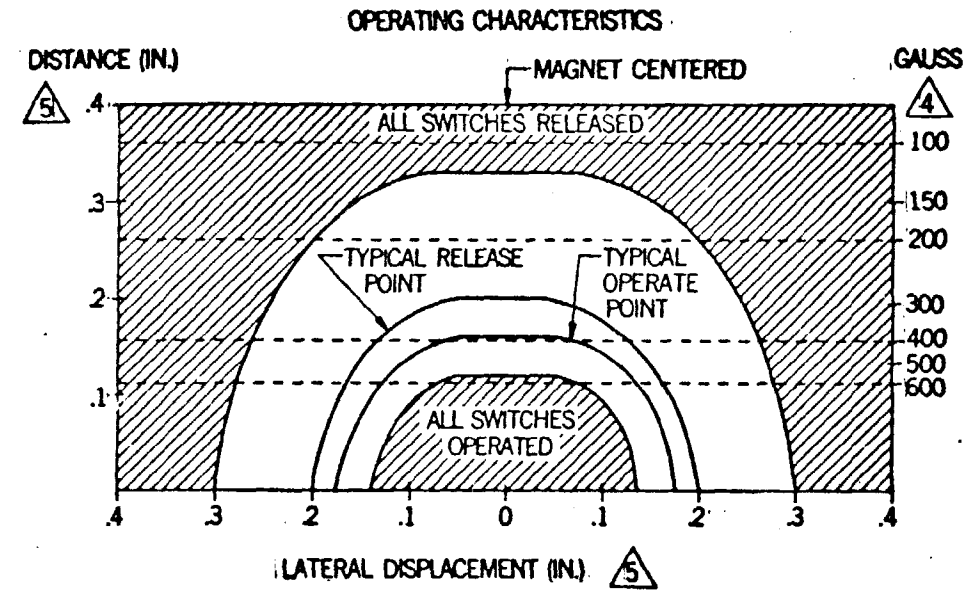
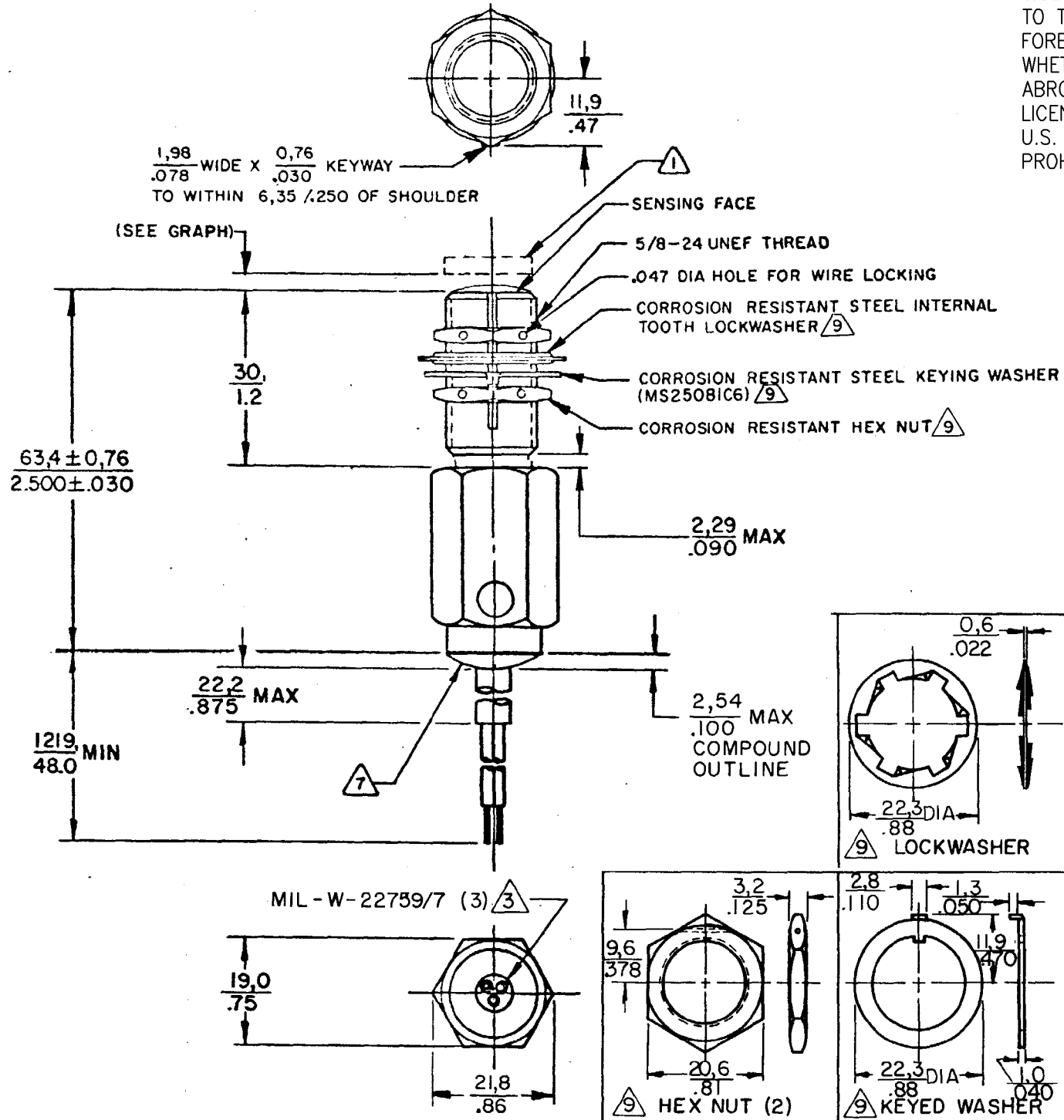
**HALL PROXIMITY SWITCH
 (MAGNETICALLY OPERATED)**

CATALOG LISTING
211FW10-4

WARNING- THIS PRODUCT IS SUBJECT TO THE U.S. INTERNATIONAL TRAFFIC IN ARMS REGULATIONS (ITAR), AND THE EXPORT CONTROL LAWS OF THE UNITED STATES. TRANSFER OF TECHNICAL DATA PERTAINING TO THIS PRODUCT BY ANY MEANS TO A FOREIGN PERSON PER ITAR DEFINITIONS, WHETHER IN THE UNITED STATES OR ABROAD, WITHOUT A PRIOR EXPORT LICENSE OR OTHER APPROVAL FROM THE U.S. DEPARTMENT OF STATE, IS PROHIBITED.



211FW10-4
 M
 DRAWING NUMBER
 14
 ISSUE
 REVISIONS
 A NEW DWG 003545-8
 D B W 29 JUL 75
 B 20-36800
 K S W 24 MAR 76
 C C037252
 J A L 29 JUN 76
 D C037775
 C J H 20 OCT 76
 E CO 30633-B
 T M M 20 SEPT 77
 G C058471
 C J H 21 NOV 85
 H C065348
 K E U 21 APR 89
 J 0006218
 T O C / A P 28 JUN 04
 D B W 29 JUL 75
 F O - 52251-A
 DRAWN



- NOTES**
- 1 ACTUATION MODE: SOUTH POLE OF MAGNET
 - 2 HOUSING MATERIAL - 303 SERIES STAINLESS STEEL
 - 3 "18-32VDC", SUPPLY VOLTAGE; "NEG", SUPPLY RETURN; "OUTPUT", LOAD
 - 4 THE MAGNETIC FLUX DENSITY AS MEASURED AT SENSING FACE. GAUSS CHARACTERISTICS APPLY OVER VOLTAGE AND TEMPERATURE RANGES AND TO ANY MAGNET ACTUATOR.
 - 5 DISTANCE PARAMETERS BASED ON MICRO SWITCH 101MG7 MAGNET (SINT. ALNICO 8HE, .250 DIA. X .250 LONG) WITH 475 GAUSS AT .100 IN. (INCORPORATED FLUX CONCENTRATOR INCREASES DENSITY TO 660 GAUSS), AND APPLY OVER VOLTAGE AND TEMP. RANGES, MAGNETS OF DIFFERENT MATERIAL AND/OR SIZE WILL ALTER THE DISTANCE CHARACTERISTICS SHOWN.
 - 6 TEMPERATURE RANGE -65°F TO +212°F
 - 7 WIRES AND INSULATOR POTTED IN SKYDROL RESISTANT EPOXY
 - 8 MTBF: GREATER THAN 100,000 HOURS
 - 9 FURNISHED UNASSEMBLED
 - 10 REPLACEMENT HARDWARE CAN BE OBTAINED BY ORDERING HARDWARE PACKET 19PA13

THIS DRAWING COVERS A PROPRIETARY ITEM AND IS THE PROPERTY OF MICRO SWITCH, A DIVISION OF HONEYWELL. THIS DRAWING IS NOT TO BE COPIED OR USED WITHOUT THE APPROVAL OF MICRO SWITCH.		THIRD ANGLE PROJECTION	SCALE FULL
DO NOT SCALE PRINT		TOLERANCES APPLY TO DESIGN UNITS. CONVERSIONS ARE ONLY FOR REFERENCE. UNLESS NOTED TOLERANCES ARE:	
GAUSS CHARACTERISTICS (SEE GRAPH)		DESIGN UNITS <input type="checkbox"/> METRIC <input checked="" type="checkbox"/> US CUSTOMARY	
TEMPERATURE	-65°F TO +212°F	RAW MATERIAL-COMMERCIAL STANDARD MICRO SWITCH STANDARDS APPLY	
VOLTAGE	18-32 VDC	DIMENS. ARE TO BE MET BEFORE PROTECTIVE COATINGS ARE APPLIED	
MAX OPERATE	560 GAUSS	WEIGHT 3.0 OZ	
MIN. RELEASE	120 GAUSS		
MAX. DIFFERENTIAL	175 GAUSS		
ELECTRICAL PARAMETERS			
INPUT VOLTAGE	18-32 VDC		
CURRENT	25 MILLIAMPS MAX		
OUTPUT TYPE	CURRENT SINK, SPNC		
LEAKAGE CURRENT	10 MICROAMPS MAX		
STEADY STATE RATINGS:			
RESISTIVE	100 MILLIAMPS MAX		
INDUCTIVE	100 MILLIAMPS MAX		
LAMP	50 MILLIAMPS MAX		
LOAD VOLTAGE	32 VDC MAX		
SATURATION VOLTAGE	0.4 VDC MAX		