

PRODUCT NUMBER  
75970-YXX-XXLF

WHEN REQUIRED, ADD SUFFIX LETTER "LF"  
INDICATES THE PRODUCT IS RoHS  
COMPATIBLE, SEE NOTE 7

TOTAL NB OF POS (02 TO 36 POS)

PLATING — PIN STYLE

1 = 0.76µm GOLD,  
OVER 1.27µm Ni MIN

8 = 0.38µm GOLD  
OVER 1.27µm Ni MIN

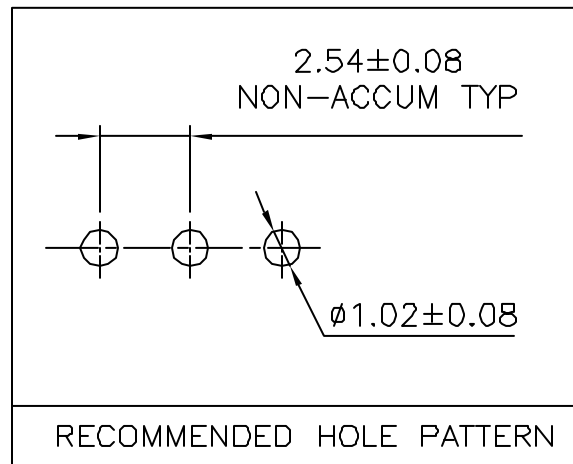
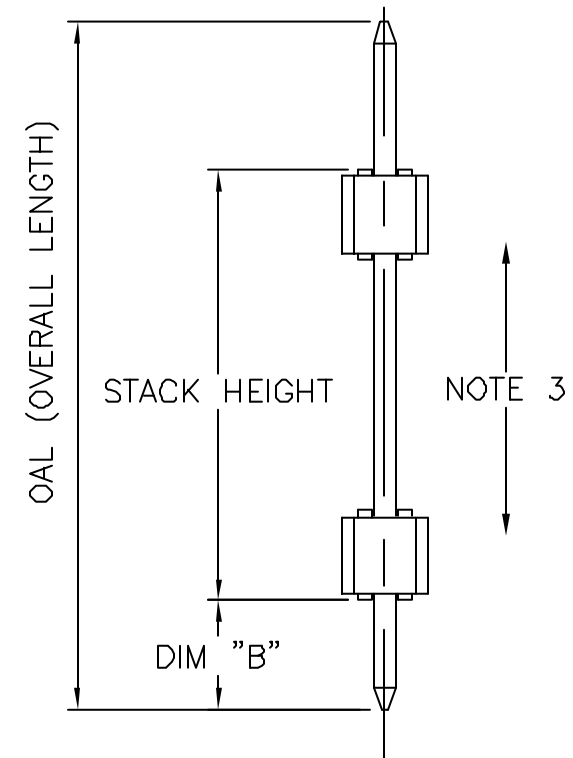
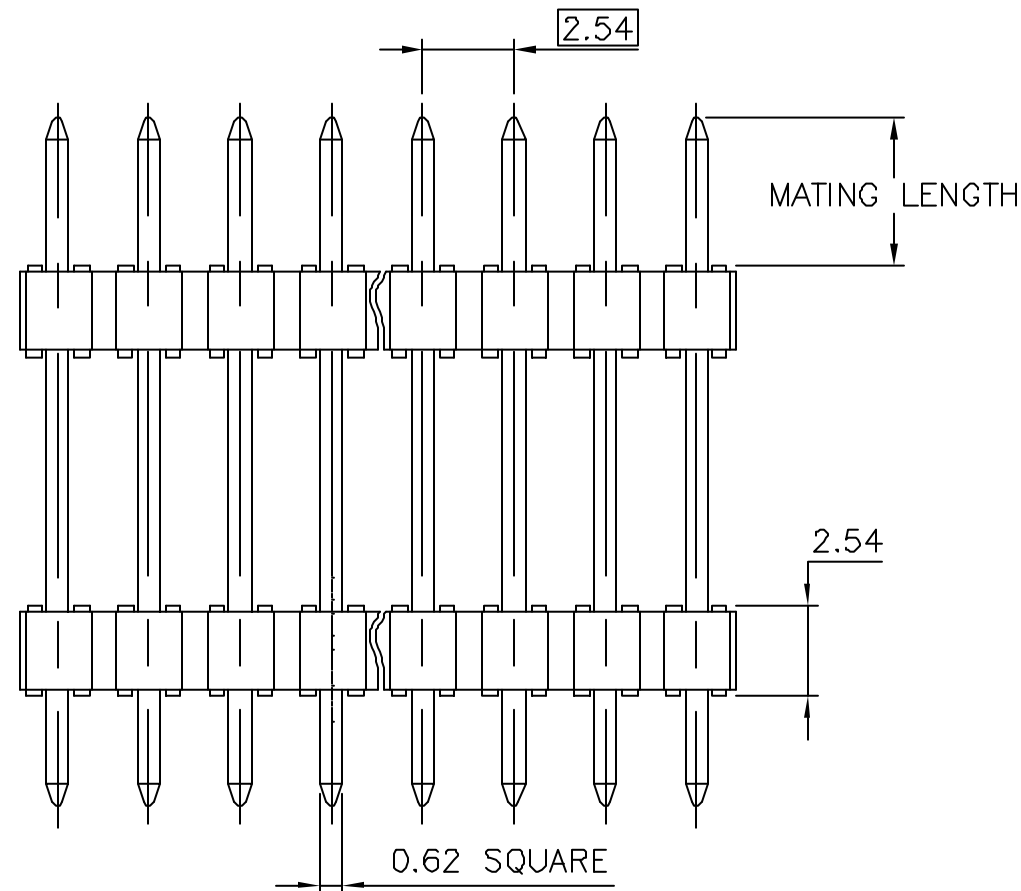
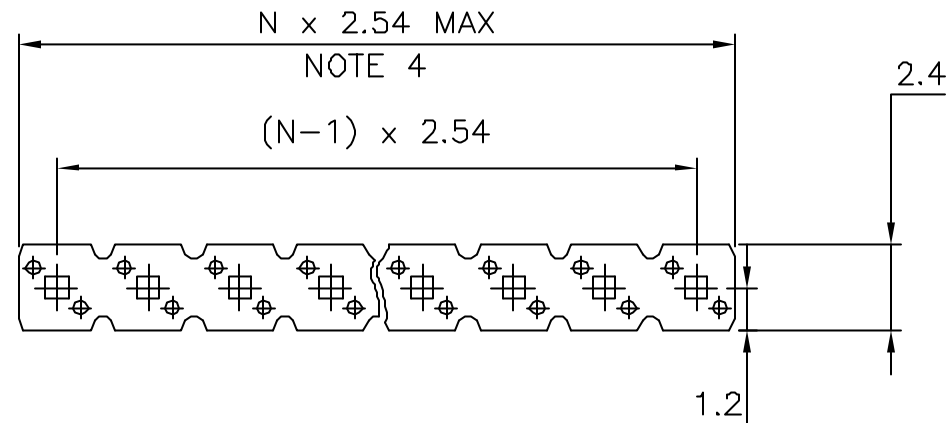
3 = 3.81µm TIN/LEAD  
OVER 1.27µm Ni MIN

— WHEN "LF" IS REQUIRED, 2µm MATTE  
TIN OVER 1.27µm MIN NICKEL IS  
PROVIDED INSTEAD OF TIN-LEAD

NOTES:

- HOUSING MAT'L : HIGH TEMPERATURE THERMOPLASTIC. UL94V-0 COLOR: BLACK.
- PIN MATERIAL : PHOSPHOR BRONZE.
- 12N MIN RETENTION IN EITHER DIRECTION.
- TO DETERMINE DIMENSIONS :  
N = NUMBER OF POSITIONS PER ROW  
EXAMPLE : 8 POS PER ROW,  $N \times 2.54 = 20.32\text{mm}$
- FOR STANDARD SELECTIVE GOLD PLATED PRODUCTS SEE DRAWINGS 54112 & 54122.
- STANDARD PACKAGING IN POLYBAGS.
- RoHS COMPATIBLE PRODUCT SPECIFICATIONS

- PLATING:  
— "LF" MEANS THE PRODUCT IS LEAD-FREE,  
2µm MINIMUM MATTE TIN OVER 1.27µm  
MINIMUM NICKEL UNDERPLATE.
- MANUFACTURING PROCESS COMPATIBILITY  
— THE HOUSING WILL WITHSTAND EXPOSURE TO  
260°C ±5°C SOLDER BATH TEMPERATURE FOR  
5 SECONDS IN A WAVE SOLDER APPLICATION  
WITH A 1.6mm MIN THICK CIRCUIT BOARD.
- LABELING:  
— MEETS PACKAGING SPECS AS PER GS-14-920
- LEGAL STATEMENT: SEE GS-22-008



mat'l. code SEE P/N		surface ISO 1302 ✓	tolerance ISO 406 ISO 1101	projection mm	product family BSTIK	
ltr	ecn no	dr	date	tolerances unless otherwise specified	title	
CR	F20313	LMU	02.05.06	angles x.x ±0.30	HEADER STR,SR DOUBLE BODY	
CS	F04-0105	LMU	04.01.07	linear x.xx ±0.13		
CT	F04-0385	LMU	04.12.23	x.xxx ±0.05	scale 5:1	
CU	F06-0196	LMU	06.06.20	dr COMPAGNON J 94.07.01	FCI	
CN	F10339	LMU	01.06.07	enr JMC 95.09.25		dwg no 75970
CP	F20116	LMU	02.01.15	appd JMC 95.09.25		sheet 1 of 2 size A3
sheet index	revision sheet	CU 1	BS 2		type CUSTOMER Drawing	



Copyright FCI

1

2 3

4

5

6

APPLICATION SPECIFIC

PIN STYLE	MATING LENGTH ±0.2	STACK HEIGHT ±0.25	"B" ±0.25	("OAL") REF
01	9.99	13	3.05	26.04
04	6.33	6.5	3.05	15.88
05	11.69	11.3	3.05	26.04
06	8.71	19.76	2.65	31.12
08	5.51	8	3.05	16.56
09	6.61	11.3	3.05	20.96
10	3.14	19.76	3.14	26.04
11	3.55	16.4	3.55	23.5
12	5.72	5.08	2.54	13.34
13	6	7	3.56	16.56
15	7.46	9.5	4	20.96
16	5.59	13	3.05	21.64
17	9.5	10.45	3.55	23.5
18	5	16.04	5	26.04
20	5.6	6.5	2.88	14.98
21	7.5	10.45	3.01	20.96
22	7.5	15.45	3.09	26.04
23	7.02	5.08	2.88	14.98
25	17.3	15.7	3.2	36.2
26	9.1	15.7	3.2	28
27	3.5	10	3.06	16.56
28	2.5	6.35	2.5	11.35
29	8.23	16	3.2	27.43
30	2.8	13.7	2.8	19.3
31	3.11	5.08	3.11	11.3
34	9.98	6.5	9.94	26.42

APPLICATION SPECIFIC

PIN STYLE	MATING LENGTH ±0.2	STACK HEIGHT ±0.25	"B" ±0.25	("OAL") REF
36	5.9	10.39	3.01	19.3
37	3.86	6.7	3.76	14.32
40	11	8.48	11	30.48
41	9.45	5.5	2.7	17.65
45	23.6	11.3	3.05	37.95
51	5.33	21.5	2.48	29.31
52	6.77	25.9	3.05	35.72
53	14.6	8	9.4	32
54	11.6	11	9.4	32
55	14.77	15.7	3.05	33.52
56	10	19	3	32
58	6.5	30.5	3	40
61	9	25.9	3.05	37.95
68	6.87	16.5	3.05	26.42
69	6.87	13	3.63	23.5
70	5.58	10.3	2.54	18.42
71	5.81	7.7	3.05	16.56
72	6.9	10.45	2.71	20.06
74	11.45	13.5	3.05	28
75	3.1	11.45	3.1	17.65
78	12.5	7.5	3	23
80	10.7	16.5	3	30.2
85	6.75	8	2.9	17.65
87	14	32	4	50
90	7.8	33.5	3.15	44.45
93	3.3	6.5	3.3	13.08

APPLICATION SPECIFIC

PIN STYLE	MATING LENGTH ±0.2	STACK HEIGHT ±0.25	"B" ±0.25	("OAL") REF
94	3.3	7.72	3.3	14.32
95	12.9	5.08	3	20.96
99	8.7	9.02	8.7	26.42
AA	4.05	10.5	3.1	17.65
AB	4	29	3.2	36.2
AJ	1.4	6.5	3.4	11.3
AK	11	6	11	28

A

A

B

B

C

C

D

D



FCIconnect.com

Copyright FCI

mat'l. code				surface ISO 1302 <input checked="" type="checkbox"/>	tolerance ISO 406 ISO 1101	projection	product family BSTIK
ltr	ecn no	dr	date	tolerances unless otherwise specified			title HEADER STR,SR DOUBLE BODY
BS	F06-0196	LMU	06.06.20	angles	linear		
BL	F50211	JMC	95.03.21			scale	dwg no 75970 sheet 2 of - size A3 type CUSTOMER Drawing
BM	F60609	JMC	96.08.28	dr	COMPAGNON J	94.07.01	
BN	F20116	LMU	02.01.15	enr	PHAMVAN JM	95.03.21	
BP	F20313	LMU	02.05.06	chr	COMPAGNON J	95.03.21	
BR	F04-0106	LMU	04.01.07	appd	JM P	95.03.21	
sheet index	revision sheet						

form: A3

1

2

3

4

5

6