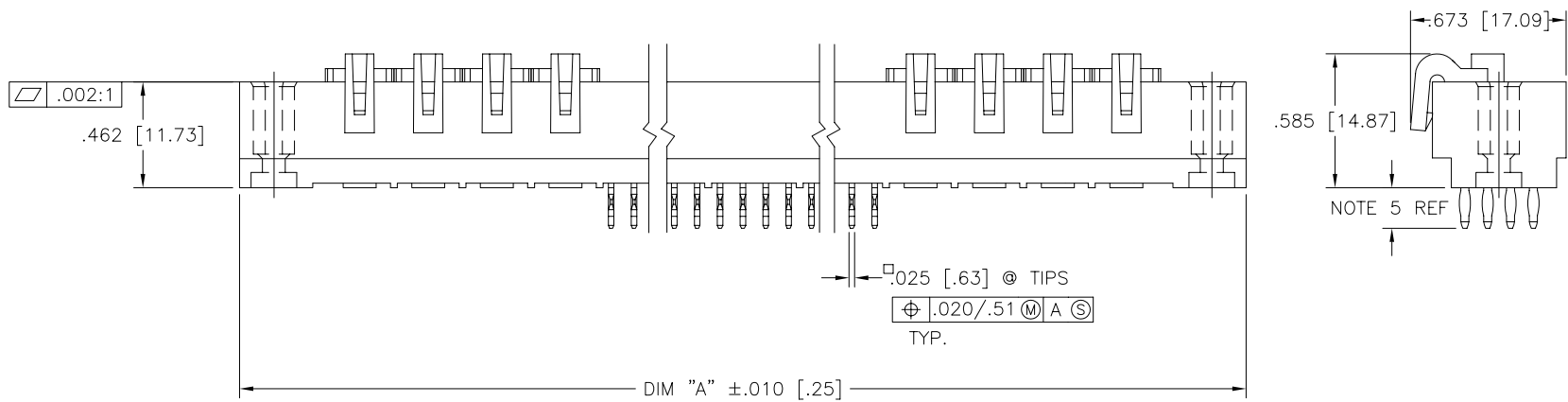
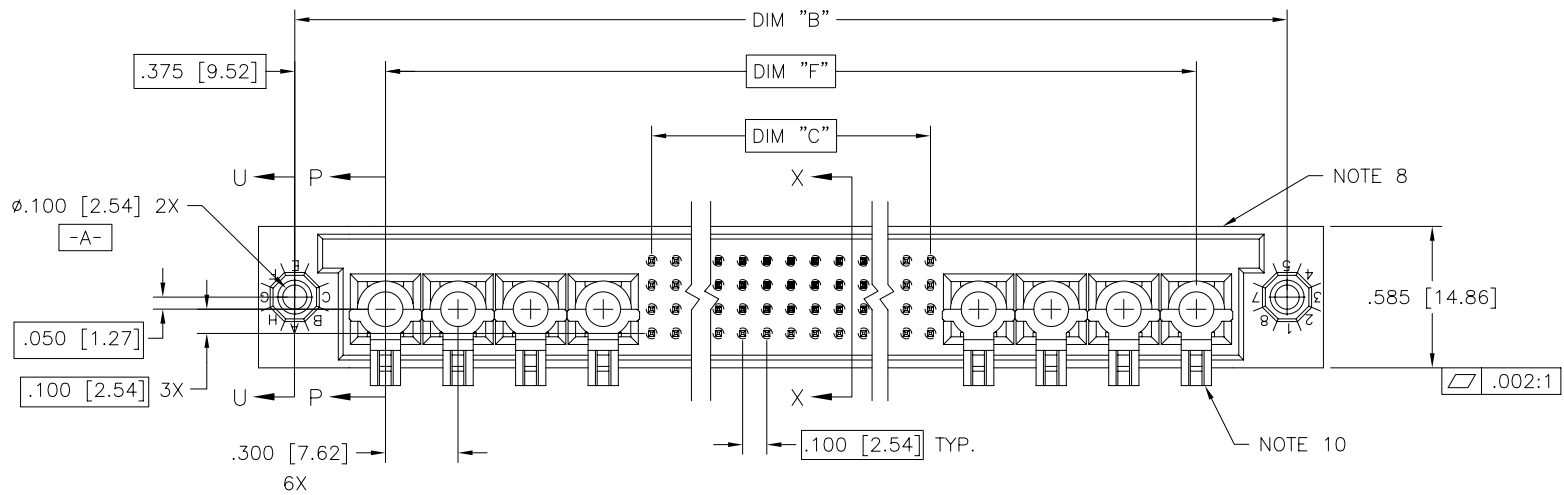


PRODUCT NUMBER
SEE NOTE 1



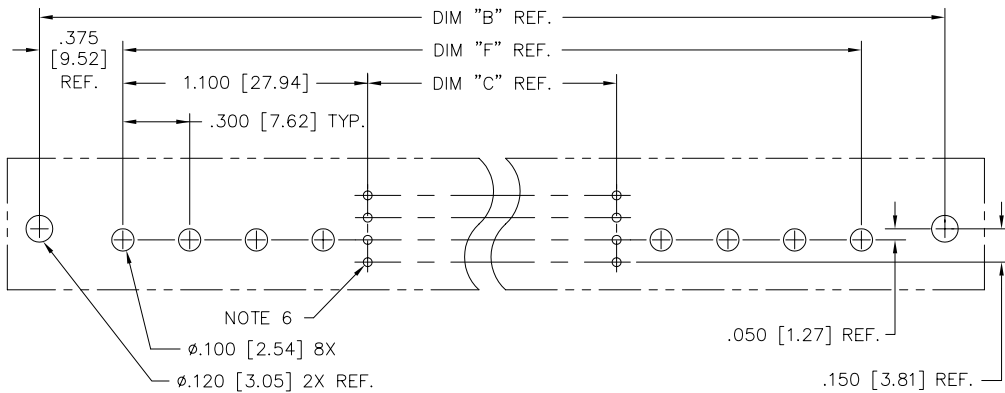
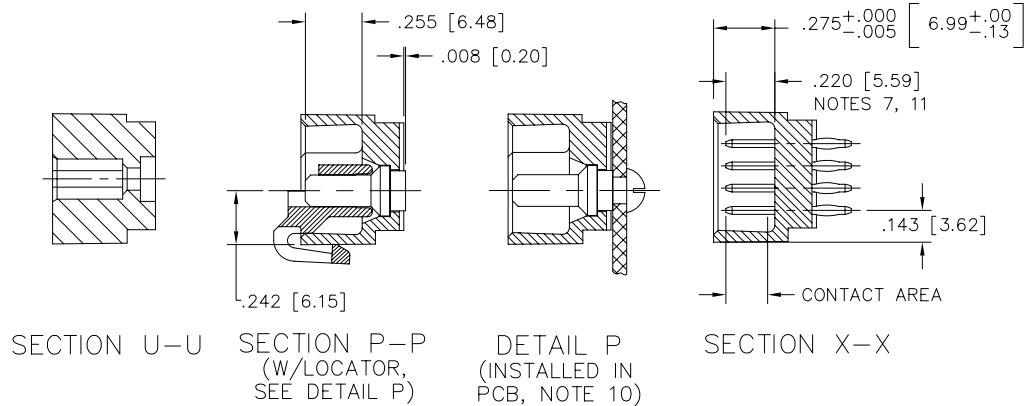
mat'l. code NOTE 3		surface ISO 1302 ✓		tolerance ISO 406 ISO 1101		projection ⊕		product family HPC	
tolerances unless otherwise specified		angles		linear		INCH/MM		title	
A	V22185	RDS	5/11/92					4 ROW VERTICAL HEADER	
B	V40259	PDP	1/14/94					PRESS FIT, 0 G.P., 8 P.P.	
C	V41237	GAH	8/17/94	0°±2'				dwg no	
D	V91066	DLW	5/12/99	dr	D.SHEAFFER	5/7/92	scale 1:1	sheet 1 of 2 size	
E	V00273	JWS	2/1/00	engr	S.CLARK	5/11/92	FCJ	50515	
F	M06-0260	MHT	7/07/06	chr	S.CLARK	5/11/92		A3	
				appd	S.CLARK	5/11/92		type Product Customer Drawing	
sheet index	revision sheet	F	F						
		1	2						

Copyright FCI
 FCIconnect.com

PRODUCT NUMBER	DIM.	LENGTH FORMULAS
SEE NOTE 1	DIM "A"	.100/2.54 x NO. OF COLUMNS +3.15/80
	DIM "B"	.100/2.54 x NO. OF COLUMNS +2.850/72.39
	DIM "C"	.100/2.54 x NO. OF COLUMNS - .100/2.54
	DIM "F"	.100/2.54 x NO. OF COLUMNS +2.100/53.34

NOTES:

- PRODUCT NUMBERING CODE:
50515 - X YYY Z
TAIL LENGTH (NOTE 5)
NO. OF POSITIONS (NOTE 2)
PLATING (NOTE 4)
BASE NUMBER
- THIS PRODUCT IS CONFIGURED IN SIZES OF 6 THRU 80 COLUMNS IN INCREMENTS OF ONE.
i.e.: 6,7,8,9,.....79,80.
- HOUSING MATERIAL: GLASS AND MINERAL FILLED HIGH TEMP. THERMOPLASTIC. FLAME RETARDANT PER UL94V-0. COLOR: BLACK.
PIN MATERIAL: PHOS BRONZE
- PLATING CONTACT AREA OPTIONS:
A = 50u" Ni UNDER ALL WITH 30u" Au ON CONTACT AREA, SnPb ON PCB INTERFACE AND Au FLASH ON ALL OTHER AREAS.
C = 50u" Ni UNDER ALL WITH 30u" Au ON CONTACT AREA, SnPb ON PCB INTERFACE, 30u" ON TAIL SIDE CONTACT AREA, AND Au FLASH ON ALL OTHER AREAS.
- TAIL LENGTH OPTIONS:
FOR PLATING OPTION "A":
A = .177/4.5
G = .250/6.35
FOR PLATING OPTION "C":
C = .533/13.54
D = .733/18.62
- ø.0453/1.151 DRILLED HOLE PLATED WITH .0003/.007 MIN. SnPb OVER .001/.03 to .003/.08 Cu. PLATING TO ACHIEVE A ø.040±.003/1.02±.08 HOLE.
- TO ASSURE PROPER INSTALLATION: TOOLING, AS SPECIFIED IN INSTRUCTION MANUAL 155915-001 MUST BE USED. PIN MATING LENGTH WILL BE ±.002/.05 AFTER INSTALLATION.
- MANUFACTURERS NAME, PART NUMBER AND LOT CODE TO APPEAR ON THIS SURFACE PER BUS-12-108.
- FOR DOCUMENTATION MENU, SEE BUS-01-057.
- POWER PIN LOCATOR (REF. 50234) TO BE REMOVED AFTER INSTALLATION.
- REFERENCE 50804 FOR F.M.L.B. OPTIONS AND WORKSHEET.



RECOMMENDED PCB LAYOUT
(ALL HOLES LOCATED ON .100/2.54 GRID UNLESS OTHERWISE SPECIFIED)

mat'l. code		surface	tolerance	projection	product family
		ISO 1302 ✓	ISO 406 ISO 1101		HPC
ltr		tolerances unless otherwise specified		INCH/MM	title
ecn	no	angles	linear		
date		0°±2'	.xx±.01/.3 .xxx±.005/.13 .xxxx±.0020/.051	scale 1:1	dwg no
		dr	D.SHEAFFER 5/7/92		sheet 2 of 2 size
		enr	S.CLARK 5/11/92		50515
		chr	S.CLARK 5/11/92		A3
		appd	S.CLARK 5/11/92		type
sheet index	revision sheet				Product Customer Drawing



Copyright FCI