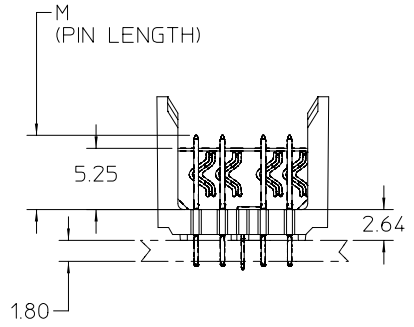
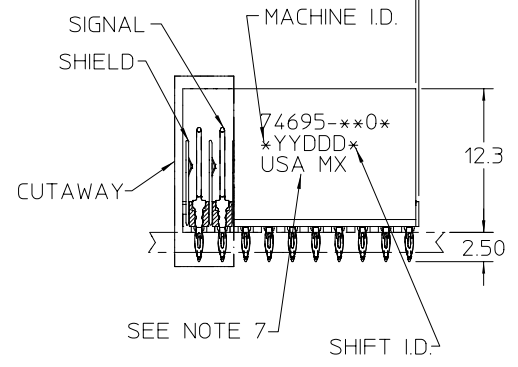


$\varnothing 0.66$  DRILL  
 $\varnothing 0.56 \pm 0.05$  PTH  
 $\varnothing 1.00$  PAD  
 $\varnothing 0.10$  RECOMMENDED DIMENSION

0.27 MAX OVERALL PROTRUSION



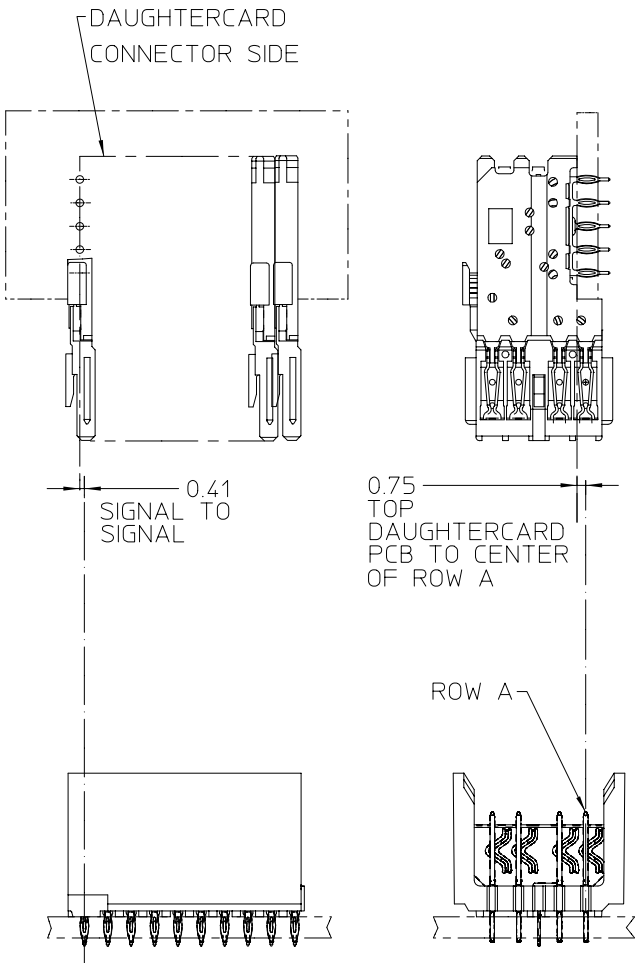
NOTES:

1. MATERIAL: HOUSING -LIQUID CRYSTAL POLYMER (LCP). GLASS-FILLED. UL 94 V-0. COLOR BLACK. SIGNAL & SHIELD -COPPER ALLOY.
2. FINISHES: SELECTIVE GOLD (Au) ON CONTACT AREA. SELECTIVE TIN/LEAD (Sn/Pb) ON PCB TAILS. NICKEL (Ni) OVERALL.
3. THIS PART CONFORMS TO MOLEX PRODUCT SPECIFICATION PS-74031-999.
4. FOR MIXED CONTACT MATING LENGTHS CONSULT MOLEX FOR AVAILABILITY.
5. FOR SPECIFIC PART NUMBER AND MATING INFORMATION REFER TO SHEET 2.
6. PACKAGE PER PK-74695-003.
7. EITHER MARK PART NUMBER AND DATE CODE APPROXIMATELY WHERE SHOWN OR PLACE LABEL ON THE TUBE.

EC NO: UDT2002-0426 DRWN: MWANG 2001/10/18 CHKD: NMARTIN 2001/10/18 APPR: CBIXLER 2001/10/19	QUALITY SYMBOLS ▽ = 0 ◻ = 0	GENERAL TOLERANCES (UNLESS SPECIFIED)		SCALE 2.5:1	DESIGN UNITS METRIC	THIRD ANGLE PROJECTION	REVISE ON CAD ONLY	
		4 PLACES ± --- ± ---	3 PLACES ± --- ± ---	DIMENSION STYLE MM ONLY		TITLE HSD SALES ASSEMBLY 5 ROW OPEN END BACKPLANE		
		2 PLACES ± --- ± ---	1 PLACE ± --- ± ---	DRAWN BY MWANG	DATE 2001/04/11	MOLEX INCORPORATED		
		ANGULAR ±1/2°		CHECKED BY NMARTIN	DATE 2001/04/14	APPROVED BY CBIXLER	DATE 2001/04/14	MATERIAL NO SEE SHEET 2
DRAFT WHERE APPLICABLE MUST REMAIN WITHIN DIMENSIONS		THIS DRAWING CONTAINS INFORMATION THAT IS PROPRIETARY TO MOLEX INCORPORATED AND SHOULD NOT BE USED WITHOUT WRITTEN PERMISSION						

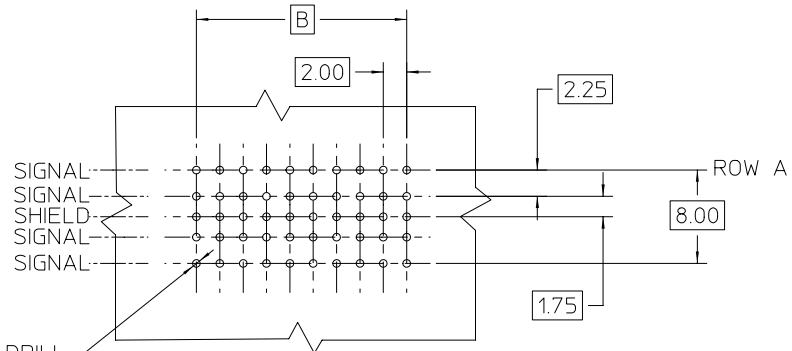
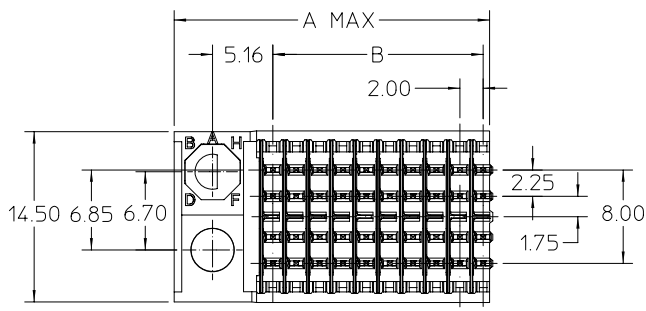
F  
E  
D  
C  
B  
A

F  
E  
D  
C  
B  
A



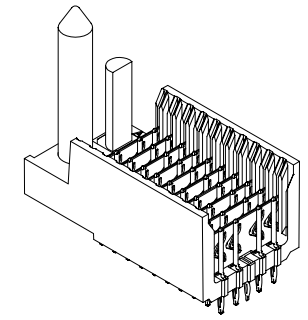
PART NUMBER	COLUMN	NUMBER OF SIGNAL PINS	NUMBER OF SHIELDS	A MAX	B	M	Au (um) THICKNESS	Sn/Ph (um) THICKNESS
74695-1001	10	40	10	20.00	18.00	4.75	0.76	0.38-1.52
74695-1006							1.27	
74695-2501	25	100	25	50.00	48.00		0.76	
74695-2506							1.27	
74695-1002	10	40	10	20.00	18.00	6.25	0.76	
74695-1007							1.27	
74695-2502	25	100	25	50.00	48.00		0.76	
74695-2507							1.27	
74695-1003	10	40	10	20.00	18.00	4.25	0.76	
74695-1008							1.27	
74695-2503	25	100	25	50.00	48.00		0.76	
74695-2508							1.27	
74695-1004	10	40	10	20.00	18.00	5.15	0.76	
74695-1009							1.27	
74695-2504	25	100	25	50.00	48.00		0.76	
74695-2509							1.27	

EC NO: UDT2002-0426 DRWN: MQWANG 2001/10/18 CHKD: NMARTIN 2001/10/18 APPR: CBIXLER 2001/10/19	QUALITY SYMBOLS	GENERAL TOLERANCES (UNLESS SPECIFIED)		SCALE 2.5:1	DESIGN UNITS METRIC	THIRD ANGLE PROJECTION	REVISE ON CAD ONLY	
	▼ = 0 ▽ = 0	mm	INCH	DIMENSION STYLE MM ONLY		TITLE HSD SALES ASSEMBLY 5 ROW OPEN END BACKPLANE		
		4 PLACES ± ---	± ---	DRAWN BY MQWANG	DATE 2001/04/11			
		3 PLACES ± ---	± ---	CHECKED BY NMARTIN	DATE 2001/04/14	MOLEX INCORPORATED		
	2 PLACES ± ---	± ---	APPROVED BY CBIXLER	DATE 2001/04/14	MATERIAL NO SEE TABLE	DOCUMENT NO SD-74695-002	SHEET NO 2 OF 2	
	1 PLACE ± ---	± ---	DRAFT WHERE APPLICABLE MUST REMAIN WITHIN DIMENSIONS		THIS DRAWING CONTAINS INFORMATION THAT IS PROPRIETARY TO MOLEX INCORPORATED AND SHOULD NOT BE USED WITHOUT WRITTEN PERMISSION			

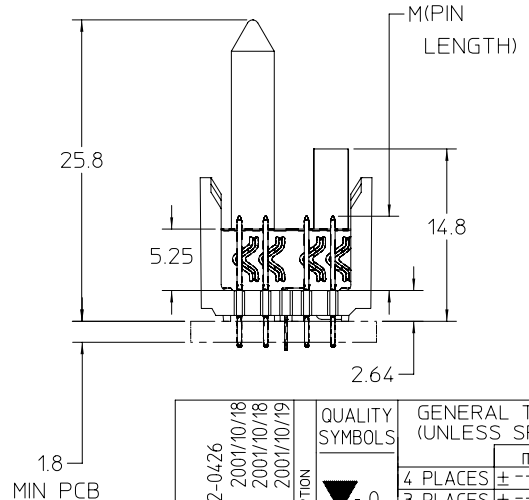
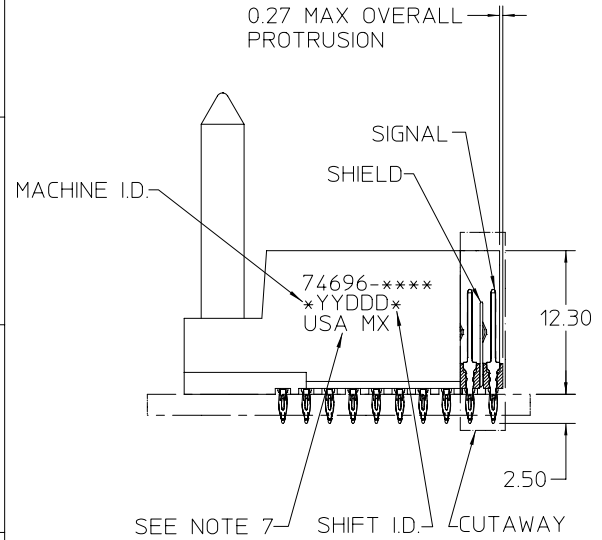


$\varnothing 0.66$  DRILL  
 $\varnothing 0.56 \pm 0.05$  PTH  
 $\varnothing 1.00$  PAD  
 $\varnothing 0.10$

BACKPLANE HOLE PATTERN  
RECOMMENDED DIMENSION



0.27 MAX OVERALL PROTRUSION



NOTES:

1. MATERIAL: HOUSING -LIQUID CRYSTAL POLYMER (LCP) GLASS-FILLED. UL 94 V-0. COLOR BLACK. SIGNAL & SHIELD -COPPER ALLOY.
2. FINISHES: SELECTIVE GOLD (Au) ON CONTACT AREA. SELECTIVE TIN/LEAD (Sn/Pb) ON PCB TAILS. NICKEL OVERALL.
3. THIS PART CONFORMS TO MOLEX PRODUCT SPECIFICATION PS-74031-999.
4. FOR MIXED CONTACT MATING LENGTHS CONSULT MOLEX FOR AVAILABILITY.
5. FOR SPECIFIC PART NUMBER AND MATING INFORMATION REFER TO SHEET 2.
6. PACKAGE PER: PK-74696-003.
7. EITHER MARK PART NUMBER AND DATE CODE APPROXIMATELY WHERE SHOWN OR PLACE LABEL ON THE TUBE.

EC NO: UDT2002-0426 DRWN: MQWANG 2001/10/18 CHKD: NMARTIN 2001/10/18 APPR: CBXLER 2001/10/19	QUALITY SYMBOLS	GENERAL TOLERANCES (UNLESS SPECIFIED)		SCALE 2.5:1	DESIGN UNITS METRIC	THIRD ANGLE PROJECTION	REVISE ON CAD ONLY
	▼ = 0 ▽ = 0	4 PLACES	± ---	± ---	DIMENSION STYLE MM ONLY		TITLE HSD SALES ASSEMBLY 5 ROW SIGNAL END BACKPLANE
		3 PLACES	± ---	± ---	DRAWN BY MQWANG	DATE 2001/04/17	
		2 PLACES	± ---	± ---	CHECKED BY NMARTIN	DATE 2001/04/20	MOLEX INCORPORATED
		1 PLACE	± ---	± ---	ANGULAR ±1/2°	DRAFT WHERE APPLICABLE MUST REMAIN WITHIN DIMENSIONS	APPROVED BY CBXLER DATE 2001/04/20 MATERIAL NO SEE SHEET 2 DOCUMENT NO SD-74696-002 SHEET NO 1 OF 2

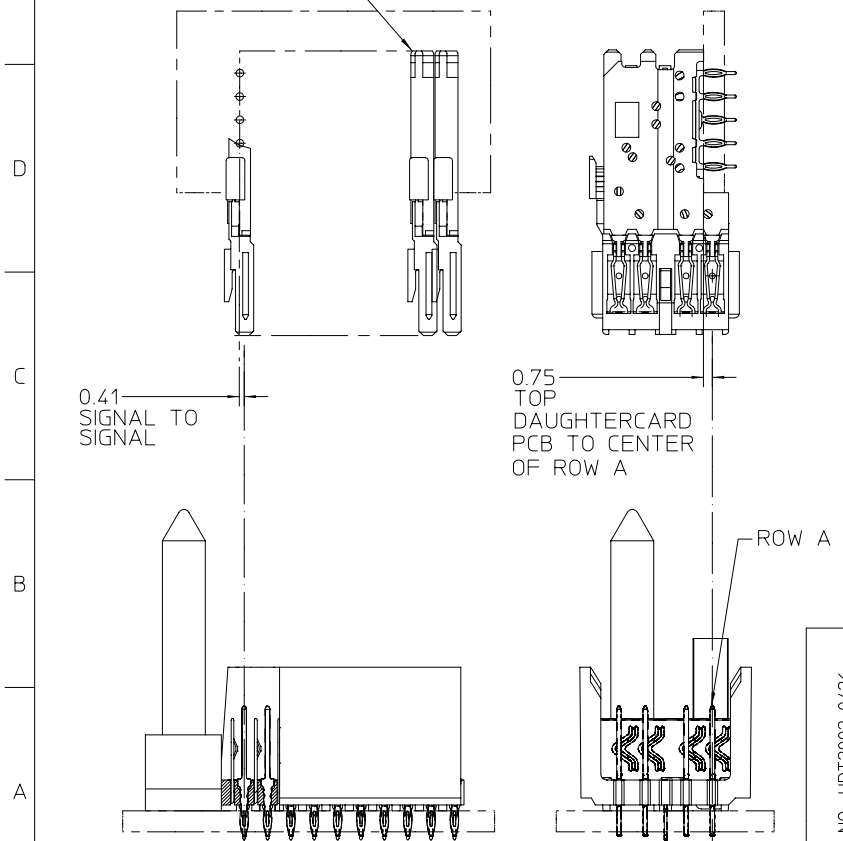
10 9 8 7 6 5 4 3 2 74696

P/N 74696-( )	-**0*	-**1*	-**2*	-**3*	-**4*	-**5*	-**6*	-**7*	-**8*	74696-****
KEYING PIN ORIENTATION	0	A	B	C	D	E	F	G	H	

NUMBER OF COLUMN  
10 OR 25

CONTACT LOAD (PIN LENGTH)  
1 & 6 = 4.75  
2 & 7 = 6.25  
3 & 8 = 4.25  
4 & 9 = 5.15

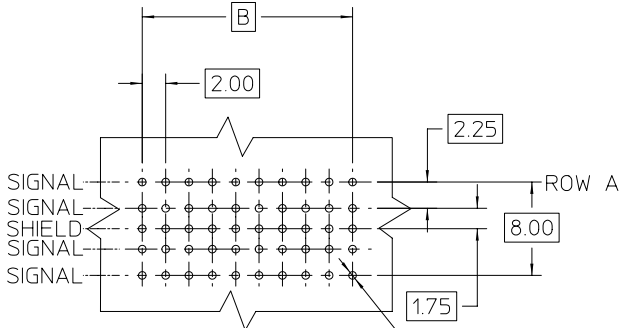
DAUGHTERCARD CONNECTOR SIDE



PART NUMBER	COLUMN	NUMBER OF SIGNAL PINS	NUMBER OF SHIELDS	A MAX	B	M	Au (um) MIN THICKNESS	Sn/Pb (um) THICKNESS
74696-10*1	10	40	10	27.00	18.00	4.75	0.76	0.38-152
74696-10*6								
74696-25*1	25	100	25	57.00	48.00	6.25		
74696-25*6								
74696-10*2	10	40	10	27.00	18.00	4.25		
74696-10*7								
74696-25*2	25	100	25	57.00	48.00	5.15		
74696-25*7								
74696-10*3	10	40	10	27.00	18.00	4.75		
74696-10*8								
74696-25*3	25	100	25	57.00	48.00	6.25		
74696-25*8								
74696-10*4	10	40	10	27.00	18.00	5.15		
74696-10*9								
74696-25*4	25	100	25	57.00	48.00	4.75		
74696-25*9								

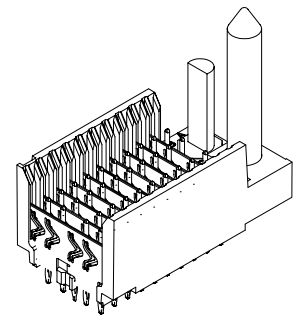
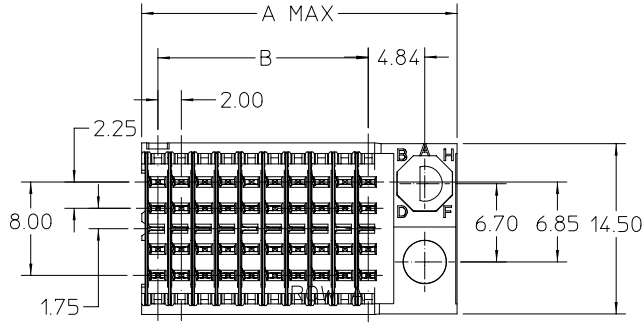
EC NO: UDT2002-0426 DRWN: MQWANG 2001/10/18 CHKD: NMARTIN 2001/10/18 APPR: CBIXLER 2001/10/19	QUALITY SYMBOLS	GENERAL TOLERANCES (UNLESS SPECIFIED)	SCALE 2.5:1	DESIGN UNITS METRIC	THIRD ANGLE PROJECTION	REVISE ON CAD ONLY
	▽ 0 ▽ 0	4 PLACES ± --- ± --- 3 PLACES ± --- ± --- 2 PLACES ± --- ± --- 1 PLACE ± --- ± --- ANGULAR ±1/2°	DIMENSION STYLE MM ONLY DRAWN BY MQWANG DATE 2001/04/17 CHECKED BY NMARTIN DATE 2001/04/20	TITLE HSD SALES ASSEMBLY 5 ROW SIGNAL END BACKPLANE		
	DRAFT WHERE APPLICABLE MUST REMAIN WITHIN DIMENSIONS	APPROVED BY CBIXLER DATE 2001/04/20		MATERIAL NO. SEE TABLE		DOCUMENT NO. SD-74696-002
		SHEET NO. 2 OF 2		MATERIAL NO. SEE TABLE		

8 7 6 5 4 3 2 1



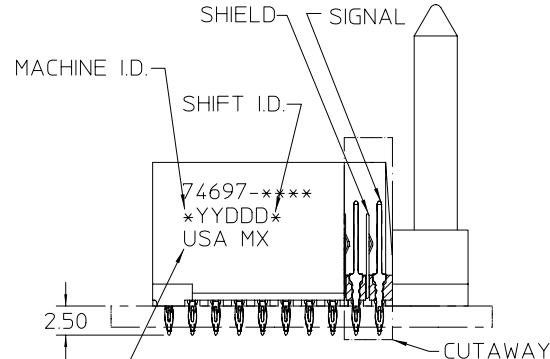
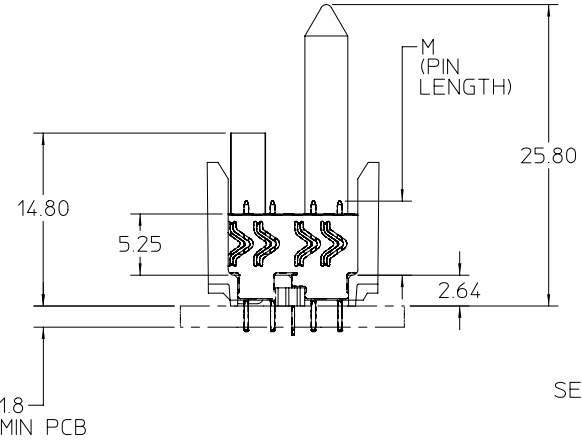
BACKPLANE HOLE PATTERN  
RECOMMENDED DIMENSION

Ø0.66 DRILL  
Ø0.56 ±0.05 PTH  
Ø1.00 PAD  
⊕ Ø0.10



NOTES:

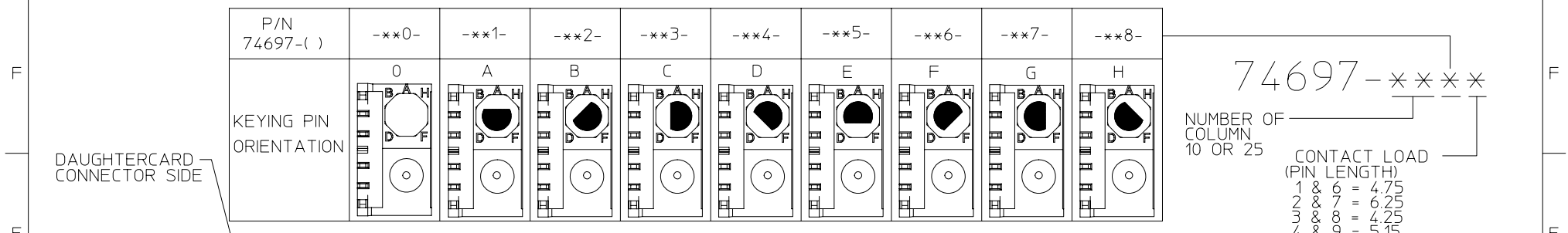
1. MATERIAL: HOUSING -LIQUID CRYSTAL POLYMER (LCP) GLASS-FILLED. UL 94 V-0. COLOR BLACK. SIGNAL & SHIELD -COPPER ALLOY.
2. FINISHES: SELECTIVE GOLD (Au) ON CONTACT AREA. SELECTIVE TIN/LEAD (Sn/Pb) ON PCB TAILS. NICKEL OVERALL.
3. THIS PART CONFORMS TO MOLEX PRODUCT SPECIFICATION PS-74031-999.
4. FOR MIXED CONTACT MATING LENGTHS CONSULT MOLEX FOR AVAILABILITY.
5. FOR SPECIFIC PART NUMBER AND MATING INFORMATION REFER TO SHEET 2.
6. PACKAGE PER: PK-74696-003.
7. EITHER MARK PART NUMBER AND DATE CODE APPROXIMATELY WHERE SHOWN OR PLACE LABEL ON THE TUBE.



SEE NOTE 7

EC NO: UDT2002-0426 DRWN: MQWANG 2001/10/18 CHKD: NMARTIN 2001/10/18 APPR: CBXLER 2001/10/19	QUALITY SYMBOLS ▽ = 0 ▽ = 0	GENERAL TOLERANCES (UNLESS SPECIFIED)		SCALE 2.5:1	DESIGN UNITS METRIC	THIRD ANGLE PROJECTION	REVISE ON CAD ONLY		
		4 PLACES ± --- ± ---	3 PLACES ± --- ± ---	DIMENSION STYLE MM ONLY		TITLE HSD SALES ASSEMBLY 5 ROW SHIELD END BACKPLANE			
		2 PLACES ± --- ± ---	1 PLACE ± --- ± ---	ANGULAR ±1/2°		DRAWN BY MQWANG DATE 2001/04/17	MOLEX INCORPORATED		
		DRAFT WHERE APPLICABLE MUST REMAIN WITHIN DIMENSIONS		APPROVED BY CBXLER DATE 2001/04/20	MATERIAL NO SEE SHEET 2	DOCUMENT NO SD-74697-002	SHEET NO 1 OF 2		

10 9 8 7 6 5 4 3 2 74697



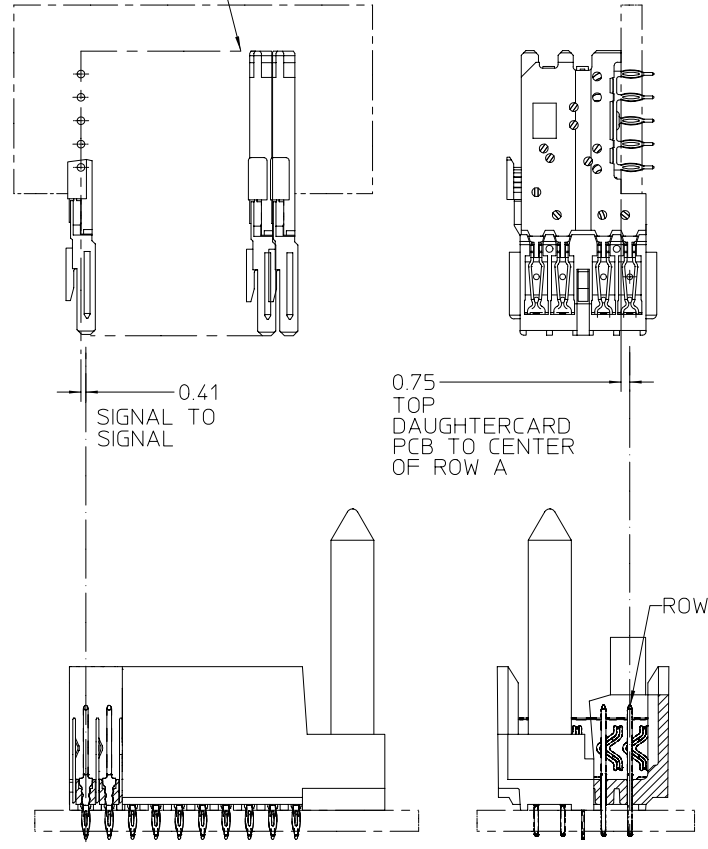
74697-\*\*\*\*

NUMBER OF COLUMNS 10 OR 25

CONTACT LOAD (PIN LENGTH)

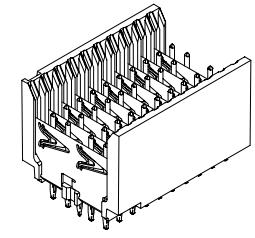
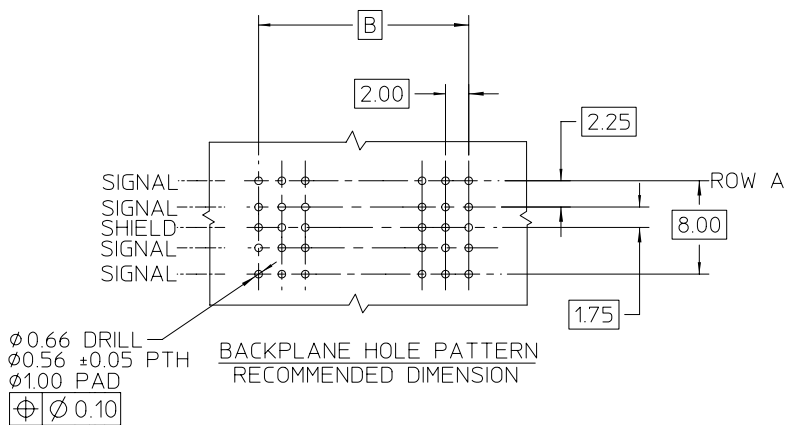
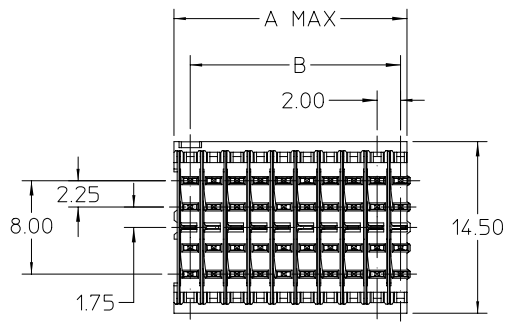
1 & 6 = 4.75  
 2 & 7 = 6.25  
 3 & 8 = 4.25  
 4 & 9 = 5.15

PART NUMBER	COLUMN	NUMBER OF SIGNAL PINS	NUMBER OF SHIELDS	A MAX	B	M	Au (um) MIN THICKNESS	Sn/Pb (um) THICKNESS
74697-10*1							0.76	0.38-152
74697-10*6	10	40	10	27.00	18.00	4.75	1.27	
74697-25*1							0.76	
74697-25*6	25	100	25	57.00	48.00	4.75	1.27	
74697-10*2	10	40	10	27.00	18.00	6.25	0.76	
74697-10*7	10	40	10	27.00	18.00	6.25	1.27	
74697-25*2	25	100	25	57.00	48.00	6.25	0.76	
74697-25*7	25	100	25	57.00	48.00	6.25	1.27	
74697-10*3	10	40	10	27.00	18.00	4.25	0.76	
74697-10*8	10	40	10	27.00	18.00	4.25	1.27	
74697-25*3	25	100	25	57.00	48.00	4.25	0.76	
74697-25*8	25	100	25	57.00	48.00	4.25	1.27	
74697-10*4	10	40	10	27.00	18.00	5.15	0.76	
74697-10*9	10	40	10	27.00	18.00	5.15	1.27	
74697-25*4	25	100	25	57.00	48.00	5.15	0.76	
74697-25*9	25	100	25	57.00	48.00	5.15	1.27	



EC NO: UDT2002-0426 DRWN: MQWANG 2001/10/18 CHKD: NMARTIN 2001/10/18 APPR: CBIXLER 2001/10/19	QUALITY SYMBOLS	GENERAL TOLERANCES (UNLESS SPECIFIED)	SCALE 2.5:1	DESIGN UNITS METRIC	THIRD ANGLE PROJECTION	REVISE ON CAD ONLY
	▽ 0 ▽ 0	4 PLACES ± --- ± --- 3 PLACES ± --- ± --- 2 PLACES ± --- ± --- 1 PLACE ± --- ± ---	mm INCH DIMENSION STYLE MM ONLY	DRAWN BY MQWANG DATE 2001/04/17 CHECKED BY NMARTIN DATE 2001/04/20	TITLE HSD SALES ASSEMBLY 5 ROW SHIELD END BACKPLANE	
		ANGULAR ±1/2° DRAFT WHERE APPLICABLE MUST REMAIN WITHIN DIMENSIONS		APPROVED BY CBIXLER DATE 2001/04/20	MATERIAL NO SEE TABLE DOCUMENT NO SD-74697-002	SHEET NO 2 OF 2
	THIS DRAWING CONTAINS INFORMATION THAT IS PROPRIETARY TO MOLEX INCORPORATED AND SHOULD NOT BE USED WITHOUT WRITTEN PERMISSION					

8 7 6 5 4 3 2 1

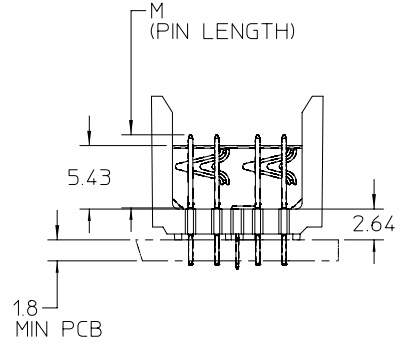
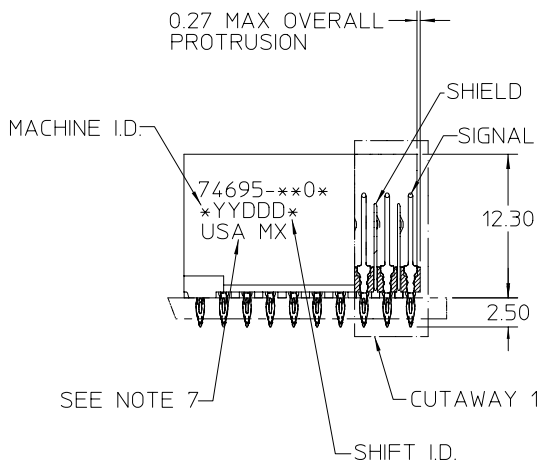


$\phi 0.66$  DRILL  
 $\phi 0.56 \pm 0.05$  PTH  
 $\phi 1.00$  PAD  
 $\phi \phi 0.10$

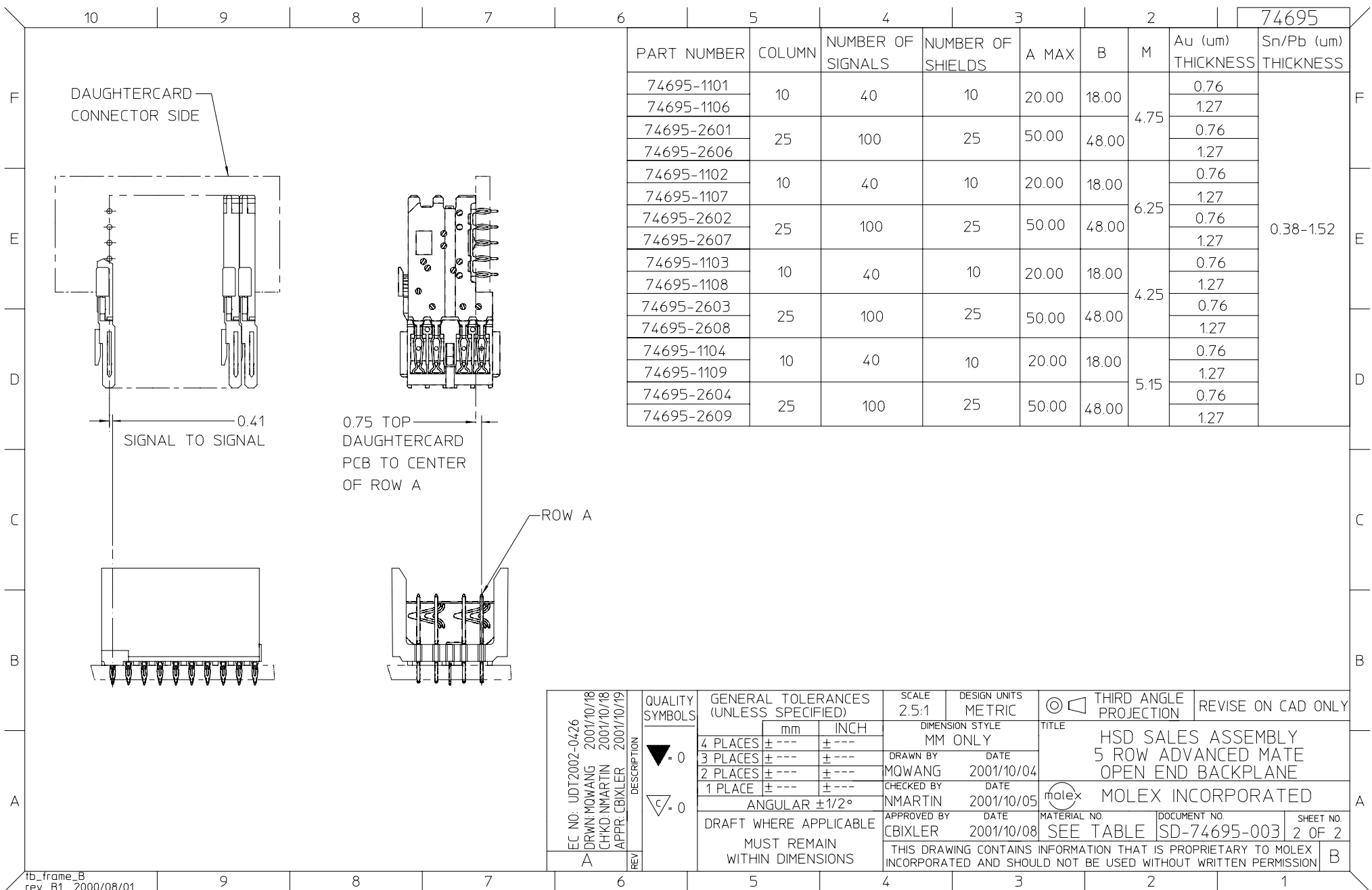
BACKPLANE HOLE PATTERN  
RECOMMENDED DIMENSION

NOTES:

1. MATERIAL: HOUSING -LIQUID CRYSTAL POLYMER (LCP). GLASS-FILLED. UL94 V-0. COLOR: BLACK. SIGNAL & SHIELD -COPPER ALLOY.
2. FINISHES: SELECTIVE GOLD (Au) ON CONTACT AREA, SELECTIVE TIN/LEAD (Sn/Pb) ON TAILS, NICKEL (Ni) OVERALL.
3. THIS PART CONFORMS TO MOLEX PRODUCT SPECIFICATION PS-74031-999.
4. FOR MIXED CONTACT MATING LENGTHS CONSULT MOLEX FOR AVAILABILITY.
5. FOR SPECIFIC PART NUMBER AND MATING INFORMATION REFER TO SHEET 2.
6. PACKAGE PER PK-74695-003.
7. EITHER MARK PART NUMBER AND DATE CODE APPROXIMATELY WHERE SHOWN OR PLACE LABEL ON THE TUBE.



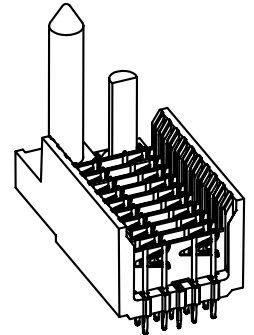
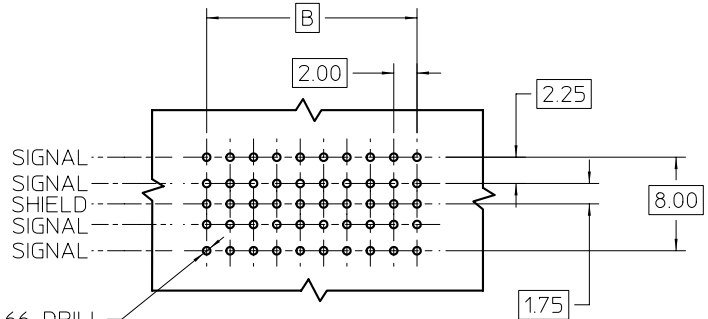
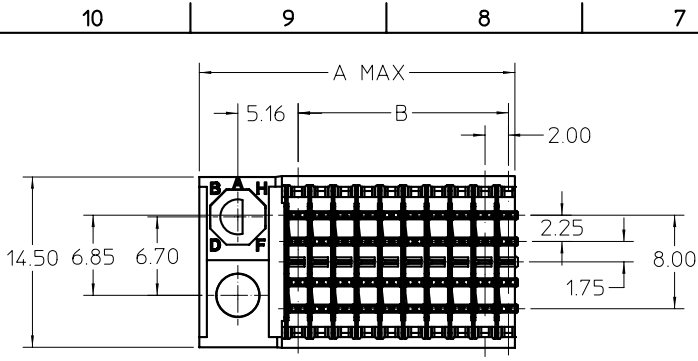
EC NO: UDT2002-0426 DRWN: MQWANG 2001/10/18 CHKD: NMARTIN 2001/10/18 APPR: CBIXLER 2001/10/19	QUALITY SYMBOLS ▽ = 0 ▽ = 0	GENERAL TOLERANCES (UNLESS SPECIFIED)		SCALE 2.5:1	DESIGN UNITS METRIC	THIRD ANGLE PROJECTION	REVISE ON CAD ONLY	
		4 PLACES ± --- ± ---	3 PLACES ± --- ± ---	DIMENSION STYLE MM ONLY		TITLE HSD SALES ASSEMBLY 5 ROW ADVANCED MATE OPEN END BACKPLANE		
		2 PLACES ± --- ± ---	1 PLACE ± --- ± ---	DRAWN BY MQWANG	DATE 2001/10/04	MOLEX INCORPORATED		
		ANGULAR ±1/2°		CHECKED BY NMARTIN	DATE 2001/10/05	APPROVED BY CBIXLER	DATE 2001/10/08	MATERIAL NO SEE SHEET 2
DRAFT WHERE APPLICABLE MUST REMAIN WITHIN DIMENSIONS		SHEET NO 1 OF 2		THIS DRAWING CONTAINS INFORMATION THAT IS PROPRIETARY TO MOLEX INCORPORATED AND SHOULD NOT BE USED WITHOUT WRITTEN PERMISSION				



74695									
PART NUMBER	COLUMN	NUMBER OF SIGNALS	NUMBER OF SHIELDS	A MAX	B	M	Au (um) THICKNESS	Sn/Pb (um) THICKNESS	
74695-1101	10	40	10	20.00	18.00	4.75	0.76	0.38-152	F
74695-1106							1.27		E
74695-2601	25	100	25	50.00	48.00		0.76		D
74695-2606							1.27		C
74695-1102	10	40	10	20.00	18.00	6.25	0.76		B
74695-1107							1.27		A
74695-2602	25	100	25	50.00	48.00		0.76		
74695-2607							1.27		
74695-1103	10	40	10	20.00	18.00	4.25	0.76		
74695-1108							1.27		
74695-2603	25	100	25	50.00	48.00		0.76		
74695-2608							1.27		
74695-1104	10	40	10	20.00	18.00	5.15	0.76		
74695-1109							1.27		
74695-2604	25	100	25	50.00	48.00		0.76		
74695-2609							1.27		

EC NO: UDT2002-0426 DRWN: MQWANG 2001/10/18 CHKD: NMARTIN 2001/10/18 APPR: CBIXLER 2001/10/19	QUALITY SYMBOLS	GENERAL TOLERANCES (UNLESS SPECIFIED)		SCALE 2.5:1	DESIGN UNITS METRIC	THIRD ANGLE PROJECTION	REVISE ON CAD ONLY	
	▼ = 0 ∇ = 0	mm	INCH	DIMENSION STYLE MM ONLY		TITLE HSD SALES ASSEMBLY 5 ROW ADVANCED MATE OPEN END BACKPLANE		
		4 PLACES ± --- ± ---	3 PLACES ± --- ± ---	DRAWN BY MQWANG	DATE 2001/10/04	MOLEX INCORPORATED		
		2 PLACES ± --- ± ---	1 PLACE ± --- ± ---	CHECKED BY NMARTIN	DATE 2001/10/05	MATERIAL NO SEE TABLE	DOCUMENT NO SD-74695-003	SHEET NO 2 OF 2
		ANGULAR ±1/2°		APPROVED BY CBIXLER	DATE 2001/10/08	THIS DRAWING CONTAINS INFORMATION THAT IS PROPRIETARY TO MOLEX INCORPORATED AND SHOULD NOT BE USED WITHOUT WRITTEN PERMISSION		
		DRAFT WHERE APPLICABLE MUST REMAIN WITHIN DIMENSIONS						

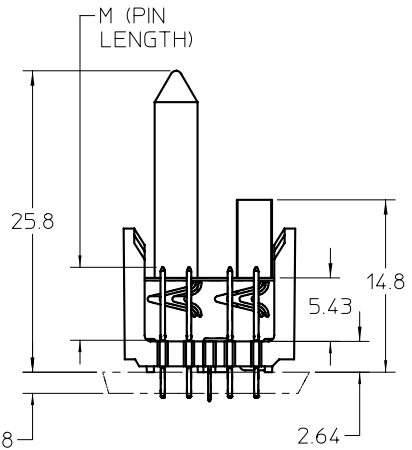
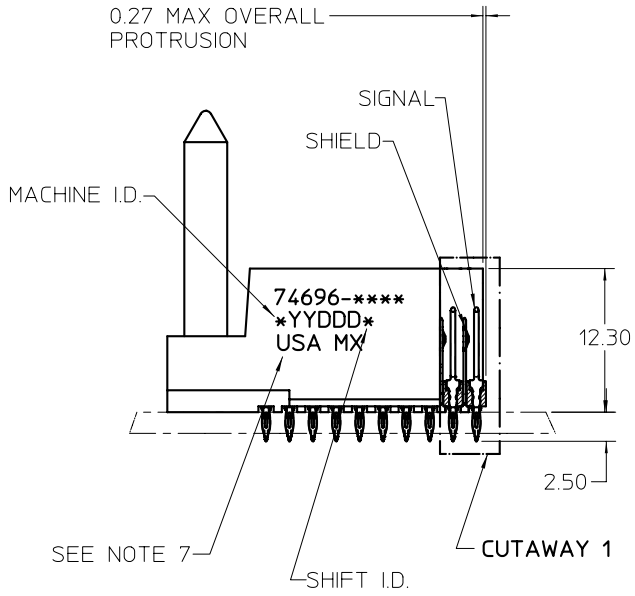




$\varnothing 0.66$  DRILL  
 $\varnothing 0.56 \pm 0.05$  PTH  
 $\varnothing 1.00$  PAD  
 $\varnothing 0.10$

**BACKPLANE HOLE PATTERN  
RECOMMENDED DIMENSION**

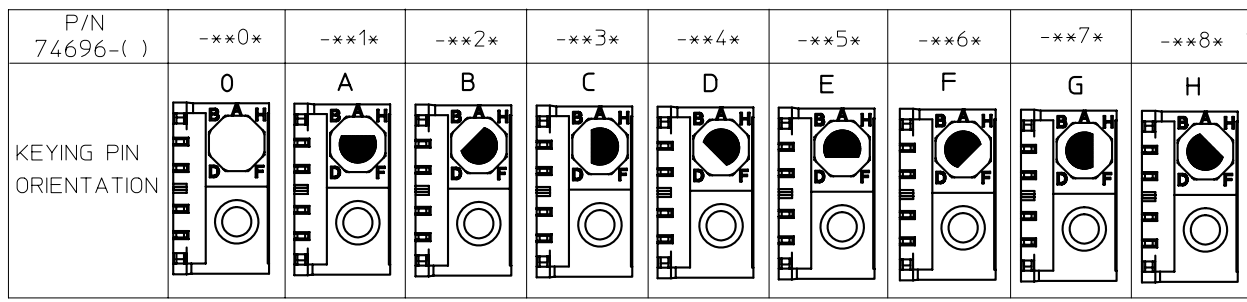
0.27 MAX OVERALL PROTRUSION



**NOTES:**

1. MATERIAL: HOUSING -LIQUID CRYSTAL POLYMER (LCP) GLASS-FILLED. UL 94 V-0. COLOR: BLACK. SIGNAL & SHIELD -COPPER ALLOY.
2. FINISHES: SELECTIVE GOLD (Au) ON CONTACT AREA. SELECTIVE TIN/LEAD (Sn/Pb) ON PCB TAILS. NICKEL OVERALL.
3. THIS PART CONFORMS TO MOLEX PRODUCT SPECIFICATION PS-74031-999.
4. FOR MIXED CONTACT MATING LENGTHS CONSULT MOLEX FOR AVAILABILITY.
5. FOR SPECIFIC PART NUMBER AND MATING INFORMATION REFER TO SHEET 2.
6. PACKAGE PER PK-74696-003.
7. EITHER MARK PART NUMBER AND DATE CODE APPROXIMATELY WHERE SHOWN OR PLACE LABEL ON THE TUBE.

EC NO: UDT2002-0426 DRWN: MQWANG 2001/10/18 CHKD: NMARTIN 2001/10/18 APPR: CBIXLER 2001/10/19	QUALITY SYMBOLS ▽ = 0 ▽ = 0	GENERAL TOLERANCES (UNLESS SPECIFIED)		SCALE 2.5:1	DESIGN UNITS METRIC	THIRD ANGLE PROJECTION	REVISE ON CAD ONLY	
		4 PLACES ± --- ± ---	3 PLACES ± --- ± ---	DIMENSION STYLE MM ONLY		TITLE HSD SALES ASSEMBLY ADVANCED MATE 5 ROW SIGNAL END BACKPLANE		
		2 PLACES ± --- ± ---	1 PLACE ± --- ± ---	DRAWN BY MQWANG	DATE 2001/07/23	MOLEX INCORPORATED		
		ANGULAR ±1/2°		CHECKED BY JLAURX	DATE 2001/10/12	MATERIAL NO SEE SHEET 2	DOCUMENT NO SD-74696-003	SHEET NO 1 OF 2
DRAFT WHERE APPLICABLE MUST REMAIN WITHIN DIMENSIONS		APPROVED BY CBIXLER	DATE 2001/10/12	THIS DRAWING CONTAINS INFORMATION THAT IS PROPRIETARY TO MOLEX INCORPORATED AND SHOULD NOT BE USED WITHOUT WRITTEN PERMISSION				



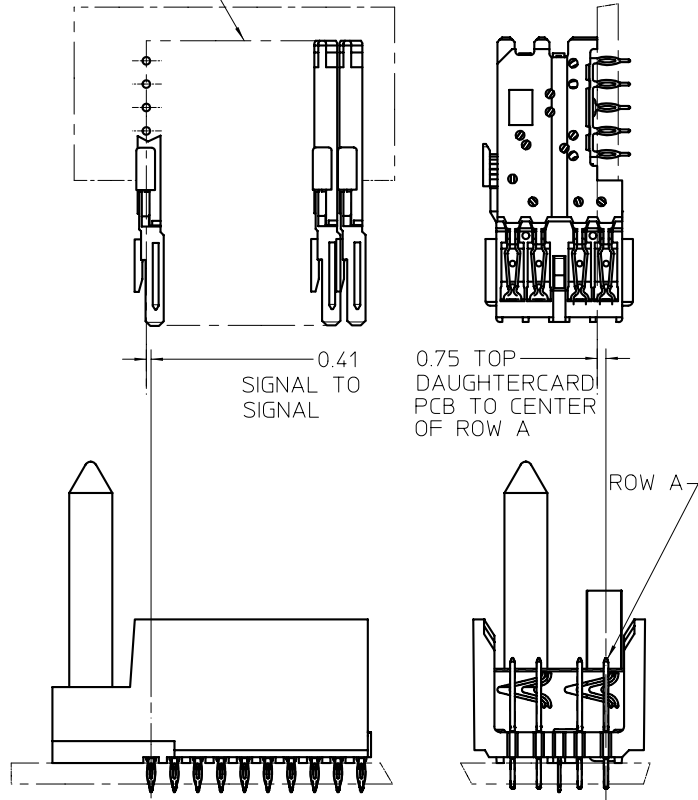
74696-\*\*\*\*

COLUMN CODE  
11 & 26

CONTACT LOAD  
(PIN LENGTH)  
1 & 6 = 4.75  
2 & 7 = 6.25  
3 & 8 = 4.25  
4 & 9 = 5.15

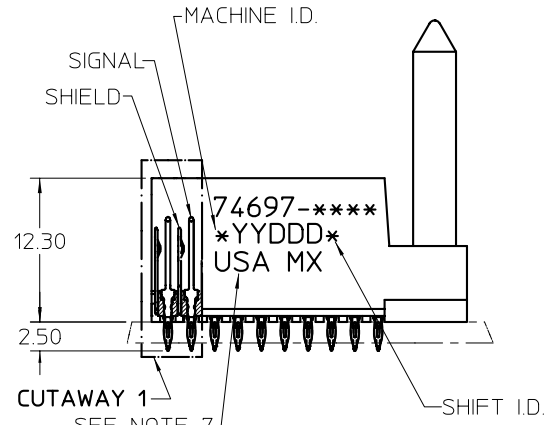
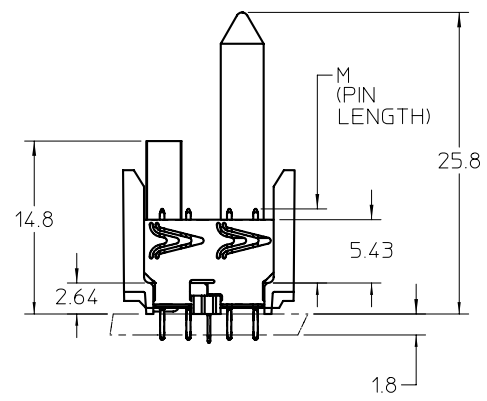
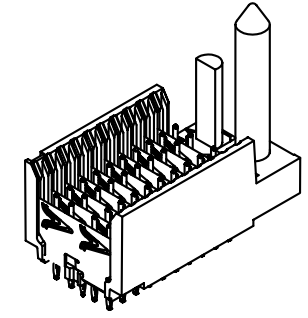
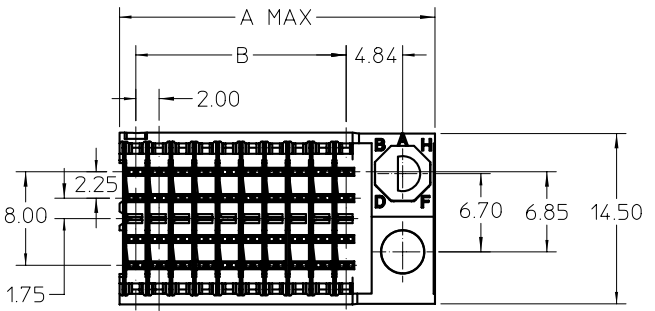
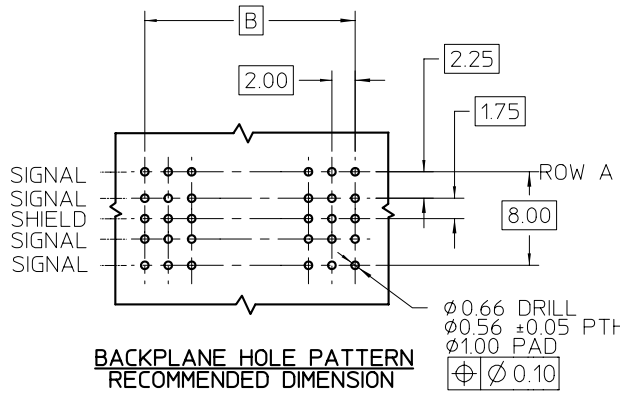
PART NUMBER	COLUMN	NUMBER OF SIGNALS	NUMBER OF SHIELDS	A MAX	B	M	Au (um) MIN THICKNESS	Sn/Pb (um) THICKNESS
74696-11*1	10	40	10	27.00	18.00	4.75	0.76	0.38-152
74696-11*6							1.27	
74696-26*1	25	100	25	57.00	48.00	6.25	0.76	
74696-26*6							1.27	
74696-11*2	10	40	10	27.00	18.00	4.25	0.76	
74696-11*7							1.27	
74696-26*2	25	100	25	57.00	48.00	5.15	0.76	
74696-26*7							1.27	
74696-11*3	10	40	10	27.00	18.00	4.75	0.76	
74696-11*8							1.27	
74696-26*3	25	100	25	57.00	48.00	6.25	0.76	
74696-26*8							1.27	
74696-11*4	10	40	10	27.00	18.00	5.15	0.76	
74696-11*9							1.27	
74696-26*4	25	100	25	57.00	48.00	4.75	0.76	
74696-26*9							1.27	

DAUGHTERCARD CONNECTOR SIDE



EC NO: UDT2002-0426 DRWN: MQWANG 2001/10/18 CHKD: NMARTIN 2001/10/18 APPR: CBIXLER 2001/10/19	QUALITY SYMBOLS	GENERAL TOLERANCES (UNLESS SPECIFIED)	SCALE 2.5:1	DESIGN UNITS METRIC	THIRD ANGLE PROJECTION	REVISE ON CAD ONLY	
	▽ 0 ▽ 0	4 PLACES ± --- ± --- 3 PLACES ± --- ± --- 2 PLACES ± --- ± --- 1 PLACE ± --- ± ---	mm    INCH DIMENSION STYLE MM ONLY	DRAWN BY DATE MQWANG 2001/07/23		TITLE HSD SALES ASSEMBLY ADVANCED MATE 5 ROW SIGNAL END BACKPLANE	
		ANGULAR ±1/2°	DRAFT WHERE APPLICABLE MUST REMAIN WITHIN DIMENSIONS	CHECKED BY DATE JLAURX 2001/10/12		MOLEX INCORPORATED	
	A	DESCRIPTION	APPROVED BY DATE CBIXLER 2001/10/12	MATERIAL NO SEE TABLE	DOCUMENT NO SD-74696-003	SHEET NO 2 OF 2	B

THIS DRAWING CONTAINS INFORMATION THAT IS PROPRIETARY TO MOLEX INCORPORATED AND SHOULD NOT BE USED WITHOUT WRITTEN PERMISSION



- NOTES:**
1. MATERIAL: HOUSING -LIQUID CRYSTAL POLYMER (LCP) GLASS-FILLED. UL 94 V-0. COLOR: BLACK. SIGNAL & SHIELD -COPPER ALLOY.
  2. FINISHES: SELECTIVE GOLD (Au) ON CONTACT AREA, SELECTIVE TIN/LEAD (Sn/Pb) ON TAILS, NICKEL OVERALL.
  3. THIS PART CONFORMS TO MOLEX PRODUCT SPECIFICATION PS-74031-999.
  4. FOR MIXED CONTACT MATING LENGTHS CONSULT MOLEX FOR AVAILABILITY.
  5. FOR SPECIFIC PART NUMBER AND MATING INFORMATION REFER TO SHEET 2.
  6. PACKAGE PER PK-74696-003.
  7. EITHER MARK PART NUMBER AND DATE CODE APPROXIMATELY WHERE SHOWN OR PLACE LABEL ON THE TUBE.

EC NO: UDT2002-0426 DRWN: MQWANG 2001/10/18 CHKD: NMARTIN 2001/10/18 APPR: CBIXLER 2001/10/19	QUALITY SYMBOLS ▽ = 0 ▽ = 0	GENERAL TOLERANCES (UNLESS SPECIFIED)		SCALE 2.5:1	DESIGN UNITS METRIC	THIRD ANGLE PROJECTION	REVISE ON CAD ONLY	
		4 PLACES ± --- ± ---	3 PLACES ± --- ± ---	DIMENSION STYLE MM ONLY		TITLE HSD SALES ASSEMBLY ADVANCED MATE 5 ROW SHIELD END BACKPLANE		
		2 PLACES ± --- ± ---	1 PLACE ± --- ± ---	DRAWN BY MQWANG	DATE 2001/10/10	MOLEX INCORPORATED		
		ANGULAR ±1/2°		CHECKED BY NMARTIN	DATE 2001/10/12	APPROVED BY CBIXLER	DATE 2001/10/12	MATERIAL NO SEE SHEET 2
DRAFT WHERE APPLICABLE MUST REMAIN WITHIN DIMENSIONS		SHEET NO 1 OF 2		THIS DRAWING CONTAINS INFORMATION THAT IS PROPRIETARY TO MOLEX INCORPORATED AND SHOULD NOT BE USED WITHOUT WRITTEN PERMISSION				

10 | 9 | 8 | 7 | 6 | 5 | 4 | 3 | 2 | 74697

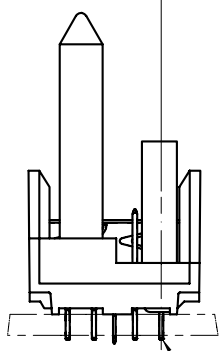
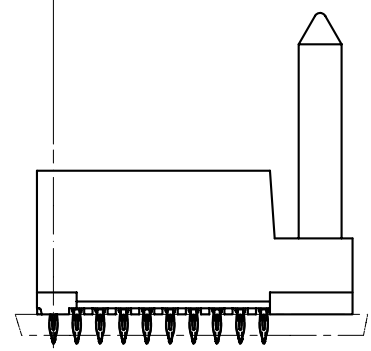
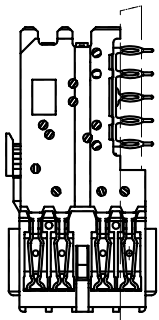
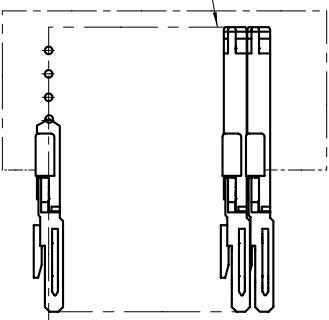
P/N 74697-( )	-**0*	-**1*	-**2*	-**3*	-**4*	-**5*	-**6*	-**7*	-**8*
KEYING PIN ORIENTATION									

74697-\*\*\*\*

COLUMN CODE  
11 OR 26

CONTACT LOAD  
(PIN LENGTH)  
1 & 6 = 4.75  
2 & 7 = 6.25  
3 & 8 = 4.25  
4 & 9 = 5.15

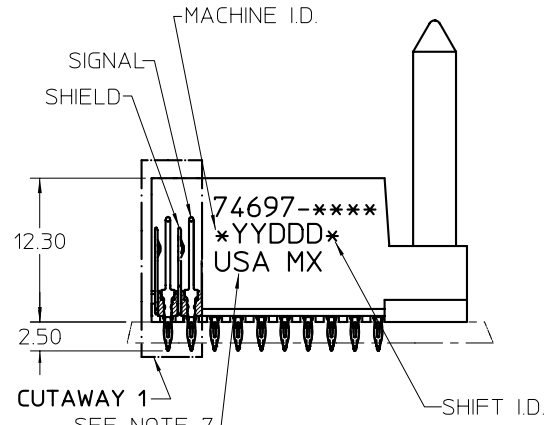
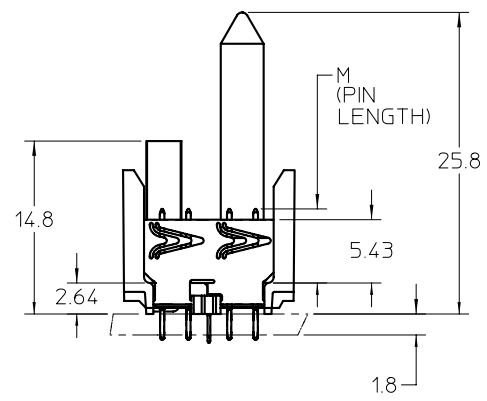
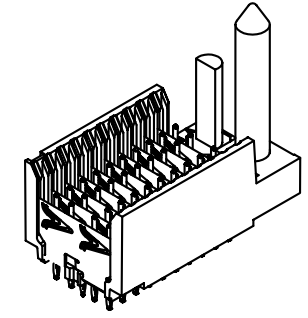
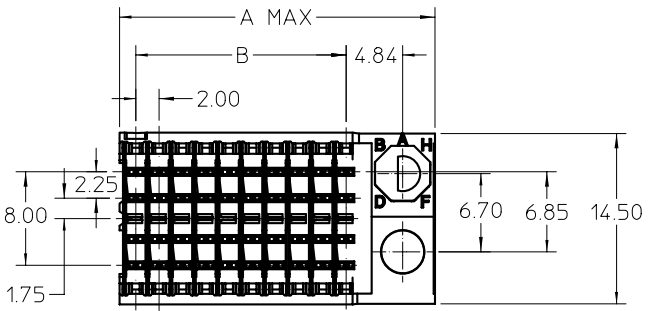
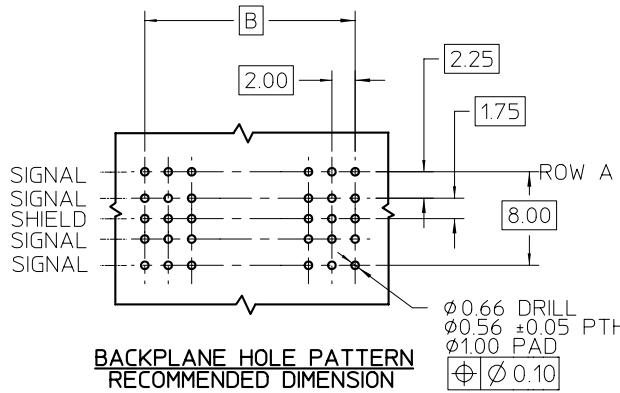
DAUGHTERCARD  
CONNECTOR SIDE



PART NUMBER	COLUMN	NUMBER OF SIGNALS	NUMBER OF SHIELDS	A MAX	B	M	Au (um) THICKNESS	Sn/Pb (um) THICKNESS
74697-11*1	10	40	10	27.00	18.00	4.75	0.76	0.38-152
74697-11*6							1.27	
74697-26*1	25	100	25	57.00	48.00	4.75	0.76	
74697-26*6							1.27	
74697-11*2	10	40	10	27.00	18.00	6.25	0.76	
74697-11*7							1.27	
74697-26*2	25	100	25	57.00	48.00	6.25	0.76	
74697-26*7							1.27	
74697-11*3	10	40	10	27.00	18.00	4.25	0.76	
74697-11*8							1.27	
74697-26*3	25	100	25	57.00	48.00	4.25	0.76	
74697-26*8							1.27	
74697-11*4	10	40	10	27.00	18.00	5.15	0.76	
74697-11*9							1.27	
74697-26*4	25	100	25	57.00	48.00	5.15	0.76	
74697-26*9							1.27	

EC NO: UDT2002-0426 DRWN: MWANG 2001/10/18 CHKD: NMARTIN 2001/10/18 APPR: CBIXLER 2001/10/19	QUALITY SYMBOLS ▽ - 0 ▽ - 0	GENERAL TOLERANCES (UNLESS SPECIFIED)		SCALE 2.5:1	DESIGN UNITS METRIC	THIRD ANGLE PROJECTION	REVISE ON CAD ONLY
		4 PLACES ± --- ± --- 3 PLACES ± --- ± --- 2 PLACES ± --- ± --- 1 PLACE ± --- ± ---	DIMENSION STYLE MM ONLY	TITLE HSD SALES ASSEMBLY ADVANCED MATE 5 ROW SHIELD END BACKPLANE			
		ANGULAR ±1/2°	DRAWN BY MWANG DATE 2001/10/10 CHECKED BY NMARTIN DATE 2001/10/12	MOLEX INCORPORATED			
		DRAFT WHERE APPLICABLE MUST REMAIN WITHIN DIMENSIONS	APPROVED BY CBIXLER DATE 2001/10/12	MATERIAL NO SEE TABLE DOCUMENT NO SD-74697-003	SHEET NO 2 OF 2		

9 | 8 | 7 | 6 | 5 | 4 | 3 | 2 | 1



- NOTES:**
1. MATERIAL: HOUSING -LIQUID CRYSTAL POLYMER (LCP) GLASS-FILLED. UL 94 V-0. COLOR: BLACK. SIGNAL & SHIELD -COPPER ALLOY.
  2. FINISHES: SELECTIVE GOLD (Au) ON CONTACT AREA, SELECTIVE TIN/LEAD (Sn/Pb) ON TAILS, NICKEL OVERALL.
  3. THIS PART CONFORMS TO MOLEX PRODUCT SPECIFICATION PS-74031-999.
  4. FOR MIXED CONTACT MATING LENGTHS CONSULT MOLEX FOR AVAILABILITY.
  5. FOR SPECIFIC PART NUMBER AND MATING INFORMATION REFER TO SHEET 2.
  6. PACKAGE PER PK-74696-003.
  7. EITHER MARK PART NUMBER AND DATE CODE APPROXIMATELY WHERE SHOWN OR PLACE LABEL ON THE TUBE.

EC NO: UDT2002-0426 DRWN: MQWANG 2001/10/18 CHKD: NMARTIN 2001/10/18 APPR: CBIXLER 2001/10/19	QUALITY SYMBOLS ▽ = 0 ▽ = 0	GENERAL TOLERANCES (UNLESS SPECIFIED)		SCALE 2.5:1	DESIGN UNITS METRIC	THIRD ANGLE PROJECTION	REVISE ON CAD ONLY
		4 PLACES ± --- ± --- 3 PLACES ± --- ± --- 2 PLACES ± --- ± --- 1 PLACE ± --- ± ---	DIMENSION STYLE MM ONLY	TITLE HSD SALES ASSEMBLY ADVANCED MATE 5 ROW SHIELD END BACKPLANE			
		DRAFT WHERE APPLICABLE MUST REMAIN WITHIN DIMENSIONS		DRAWN BY MQWANG DATE 2001/10/10 CHECKED BY NMARTIN DATE 2001/10/12	MOLEX INCORPORATED		
				APPROVED BY CBIXLER DATE 2001/10/12	MATERIAL NO SEE SHEET 2 DOCUMENT NO SD-74697-003 SHEET NO 1 OF 2		

10 | 9 | 8 | 7 | 6 | 5 | 4 | 3 | 2 | 1 | 74697

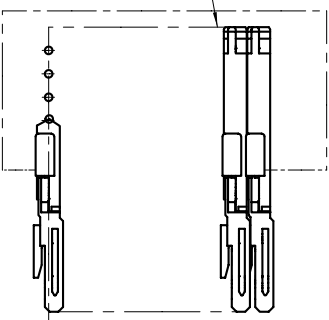
P/N 74697-( )	-**0*	-**1*	-**2*	-**3*	-**4*	-**5*	-**6*	-**7*	-**8*
KEYING PIN ORIENTATION									

74697-\*\*\*\*

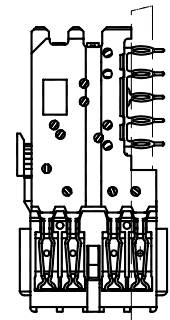
COLUMN CODE  
11 OR 26

CONTACT LOAD  
(PIN LENGTH)  
1 & 6 = 4.75  
2 & 7 = 6.25  
3 & 8 = 4.25  
4 & 9 = 5.15

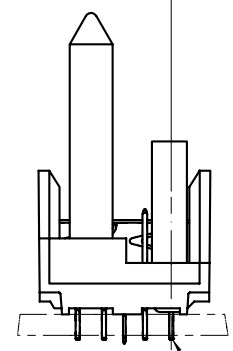
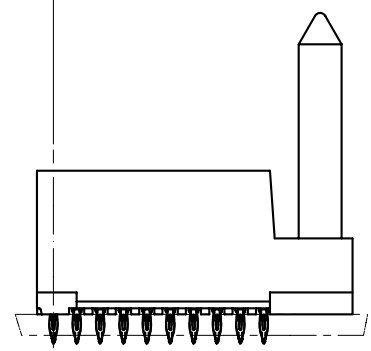
DAUGHTERCARD  
CONNECTOR SIDE



0.41  
SIGNAL TO SIGNAL



0.75 TOP  
DAUGHTERCARD  
PCB TO CENTER  
OF ROW A

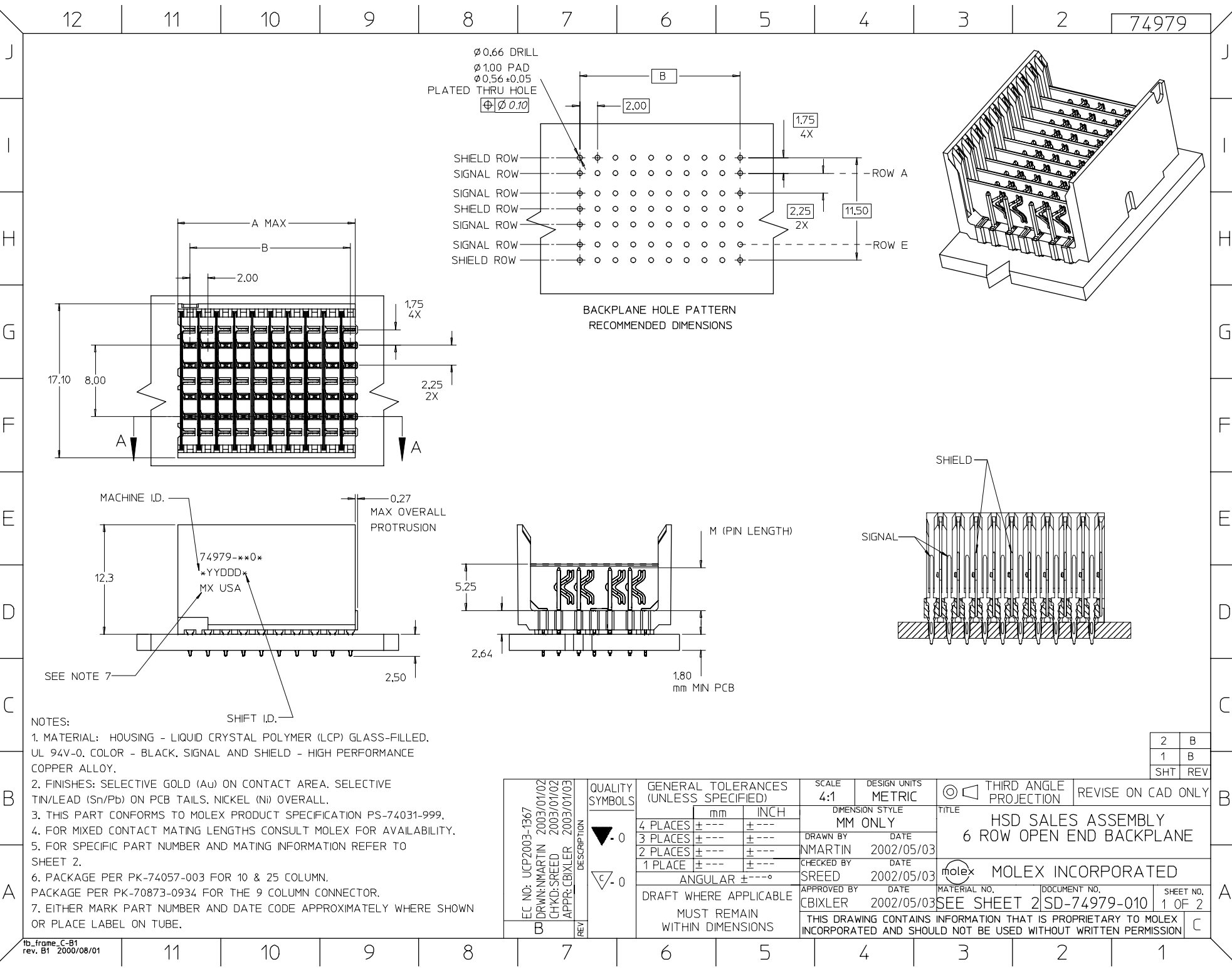


ROW A

PART NUMBER	COLUMN	NUMBER OF SIGNALS	NUMBER OF SHIELDS	A MAX	B	M	Au (um) THICKNESS	Sn/Pb (um) THICKNESS
74697-11*1	10	40	10	27.00	18.00	4.75	0.76	0.38-152
74697-11*6							1.27	
74697-26*1	25	100	25	57.00	48.00	6.25	0.76	
74697-26*6							1.27	
74697-11*2	10	40	10	27.00	18.00	6.25	0.76	
74697-11*7							1.27	
74697-26*2	25	100	25	57.00	48.00	6.25	0.76	
74697-26*7							1.27	
74697-11*3	10	40	10	27.00	18.00	4.25	0.76	
74697-11*8							1.27	
74697-26*3	25	100	25	57.00	48.00	4.25	0.76	
74697-26*8							1.27	
74697-11*4	10	40	10	27.00	18.00	5.15	0.76	
74697-11*9							1.27	
74697-26*4	25	100	25	57.00	48.00	5.15	0.76	
74697-26*9							1.27	

EC NO: UDT2002-0426 DRWN: MWANG 2001/10/18 CHKD: NMARTIN 2001/10/18 APPR: CBIXLER 2001/10/19	QUALITY SYMBOLS ▽ - 0 ▽ - 0	GENERAL TOLERANCES (UNLESS SPECIFIED)		SCALE 2.5:1	DESIGN UNITS METRIC	THIRD ANGLE PROJECTION	REVISE ON CAD ONLY
		4 PLACES ± --- ± --- 3 PLACES ± --- ± --- 2 PLACES ± --- ± --- 1 PLACE ± --- ± ---	DIMENSION STYLE MM ONLY	TITLE HSD SALES ASSEMBLY ADVANCED MATE 5 ROW SHIELD END BACKPLANE			
		ANGULAR ±1/2°	DRAWN BY MWANG DATE 2001/10/10 CHECKED BY NMARTIN DATE 2001/10/12	MOLEX INCORPORATED			
		DRAFT WHERE APPLICABLE MUST REMAIN WITHIN DIMENSIONS	APPROVED BY CBIXLER DATE 2001/10/12	MATERIAL NO SEE TABLE DOCUMENT NO SD-74697-003 SHEET NO 2 OF 2			

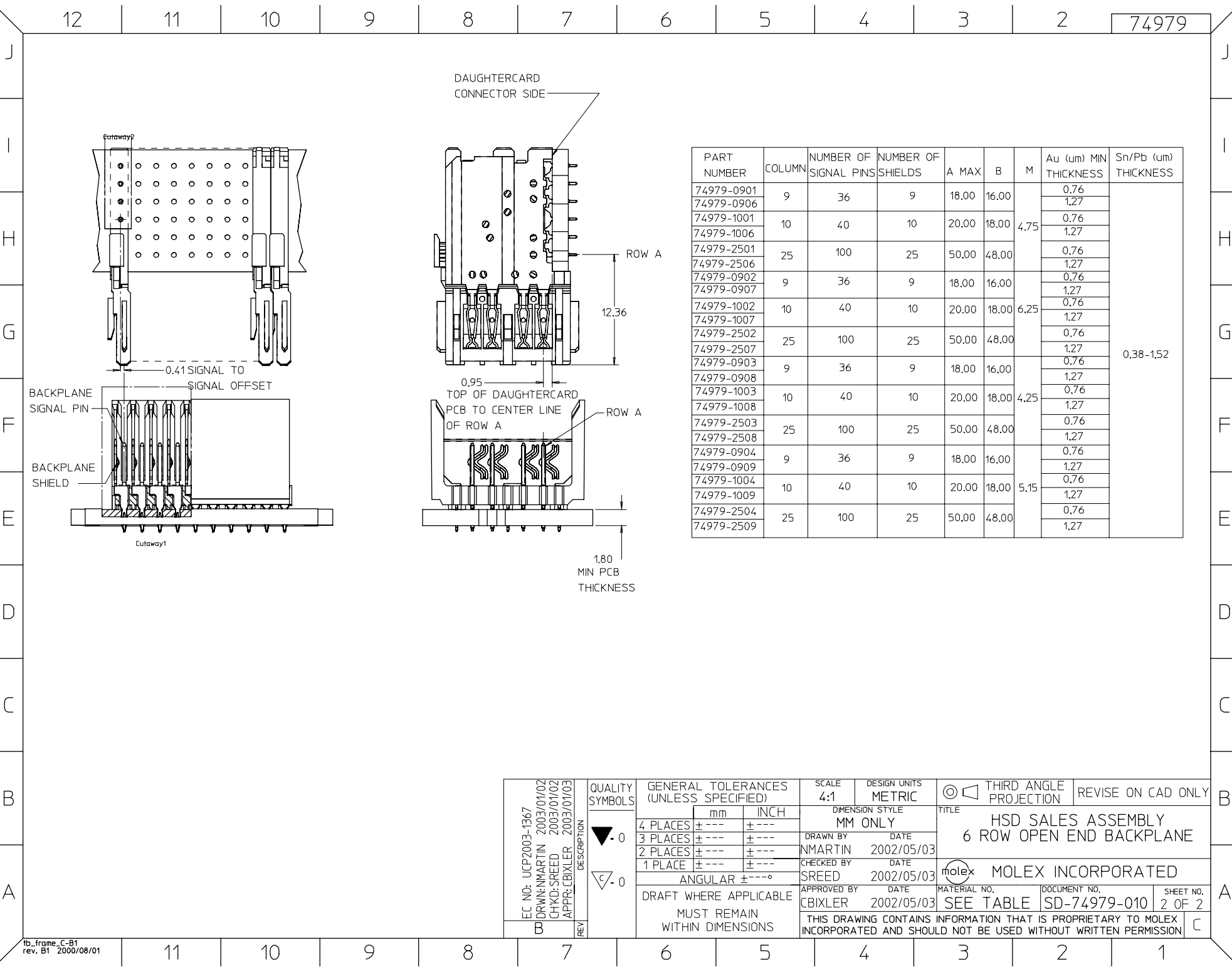
9 | 8 | 7 | 6 | 5 | 4 | 3 | 2 | 1



- NOTES:
1. MATERIAL: HOUSING - LIQUID CRYSTAL POLYMER (LCP) GLASS-FILLED. UL 94V-0. COLOR - BLACK. SIGNAL AND SHIELD - HIGH PERFORMANCE COPPER ALLOY.
  2. FINISHES: SELECTIVE GOLD (Au) ON CONTACT AREA. SELECTIVE TIN/LEAD (Sn/Pb) ON PCB TAILS. NICKEL (Ni) OVERALL.
  3. THIS PART CONFORMS TO MOLEX PRODUCT SPECIFICATION PS-74031-999.
  4. FOR MIXED CONTACT MATING LENGTHS CONSULT MOLEX FOR AVAILABILITY.
  5. FOR SPECIFIC PART NUMBER AND MATING INFORMATION REFER TO SHEET 2.
  6. PACKAGE PER PK-74057-003 FOR 10 & 25 COLUMN. PACKAGE PER PK-70873-0934 FOR THE 9 COLUMN CONNECTOR.
  7. EITHER MARK PART NUMBER AND DATE CODE APPROXIMATELY WHERE SHOWN OR PLACE LABEL ON TUBE.

EC NO: UCP2003-1367 DRWN: NMARTIN 2003/01/02 CHKD: SREED 2003/01/02 APPR: CBIXLER 2003/01/03	QUALITY SYMBOLS	GENERAL TOLERANCES (UNLESS SPECIFIED)		SCALE 4:1	DESIGN UNITS METRIC	THIRD ANGLE PROJECTION	REVISE ON CAD ONLY
	▽ - 0 ◻ - 0		mm	INCH	DIMENSION STYLE MM ONLY		TITLE
		4 PLACES	± ---	± ---	DATE		HSD SALES ASSEMBLY 6 ROW OPEN END BACKPLANE
		3 PLACES	± ---	± ---	DRAWN BY NMARTIN DATE 2002/05/03		
2 PLACES	± ---	± ---	DATE		MOLEX INCORPORATED		
1 PLACE	± ---	± ---	CHECKED BY SREED DATE 2002/05/03				
		ANGULAR ± ---°		APPROVED BY	DATE	MATERIAL NO.	DOCUMENT NO.
		DRAFT WHERE APPLICABLE		CBIXLER	2002/05/03	SEE SHEET 2	SD-74979-010
		MUST REMAIN WITHIN DIMENSIONS		SHEET NO. 1 OF 2			
		THIS DRAWING CONTAINS INFORMATION THAT IS PROPRIETARY TO MOLEX INCORPORATED AND SHOULD NOT BE USED WITHOUT WRITTEN PERMISSION					

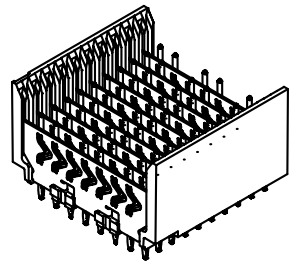
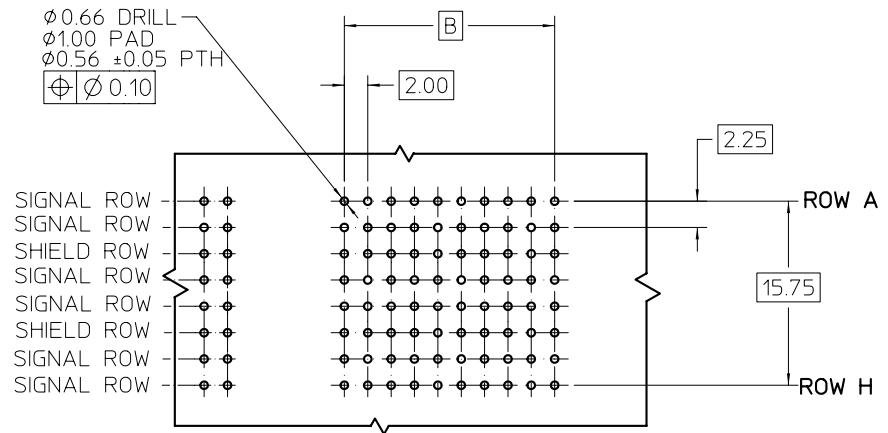
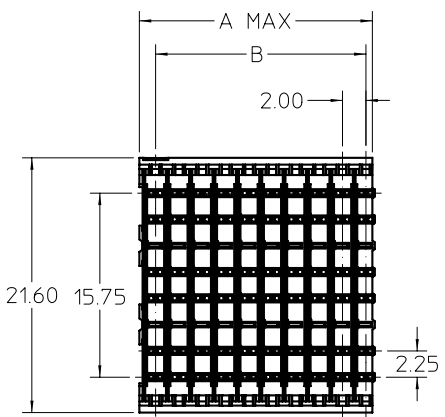
2	B
1	B
SHT	REV



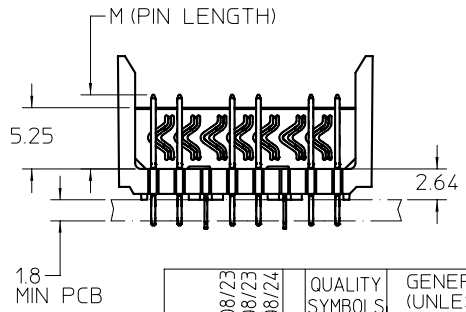
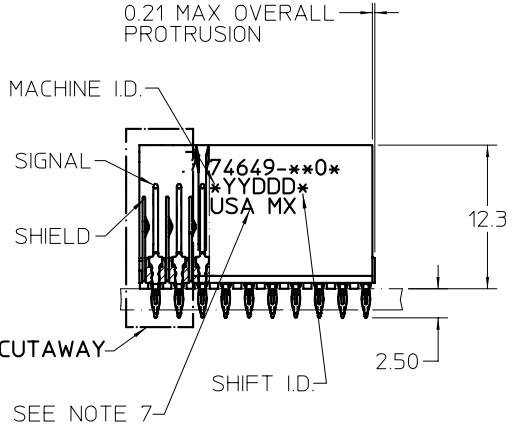
PART NUMBER	COLUMN	NUMBER OF SIGNAL PINS	NUMBER OF SHIELDS	A MAX	B	M	Au (um) MIN THICKNESS	Sn/Pb (um) THICKNESS
74979-0901	9	36	9	18.00	16.00	4.75	0.76	0.38-1.52
74979-0906							1.27	
74979-1001	10	40	10	20.00	18.00		0.76	
74979-1006							1.27	
74979-2501	25	100	25	50.00	48.00	0.76		
74979-2506						1.27		
74979-0902	9	36	9	18.00	16.00	6.25	0.76	
74979-0907							1.27	
74979-1002	10	40	10	20.00	18.00		0.76	
74979-1007							1.27	
74979-2502	25	100	25	50.00	48.00	0.76		
74979-2507						1.27		
74979-0903	9	36	9	18.00	16.00	4.25	0.76	
74979-0908							1.27	
74979-1003	10	40	10	20.00	18.00		0.76	
74979-1008							1.27	
74979-2503	25	100	25	50.00	48.00	0.76		
74979-2508						1.27		
74979-0904	9	36	9	18.00	16.00	5.15	0.76	
74979-0909							1.27	
74979-1004	10	40	10	20.00	18.00		0.76	
74979-1009							1.27	
74979-2504	25	100	25	50.00	48.00	0.76		
74979-2509						1.27		

EC NO: UCP2003-1367 DRWN: NMARTIN 2003/01/02 CHKO: SREED 2003/01/02 APPR: CBIXLER 2003/01/03	QUALITY SYMBOLS	GENERAL TOLERANCES (UNLESS SPECIFIED)	SCALE 4:1	DESIGN UNITS METRIC	THIRD ANGLE PROJECTION	REVISE ON CAD ONLY	
	DESCRIPTION HSD SALES ASSEMBLY 6 ROW OPEN END BACKPLANE	4 PLACES ± --- ± --- 3 PLACES ± --- ± --- 2 PLACES ± --- ± --- 1 PLACE ± --- ± ---	DIMENSION STYLE MM ONLY	TITLE HSD SALES ASSEMBLY 6 ROW OPEN END BACKPLANE			
		ANGULAR ± ---°	DRAWN BY DATE NMARTIN 2002/05/03	MOLEX INCORPORATED			
		DRAFT WHERE APPLICABLE MUST REMAIN WITHIN DIMENSIONS	CHECKED BY DATE SREED 2002/05/03	APPROVED BY DATE CBIXLER 2002/05/03	MATERIAL NO. SEE TABLE	DOCUMENT NO. SD-74979-010	SHEET NO. 2 OF 2



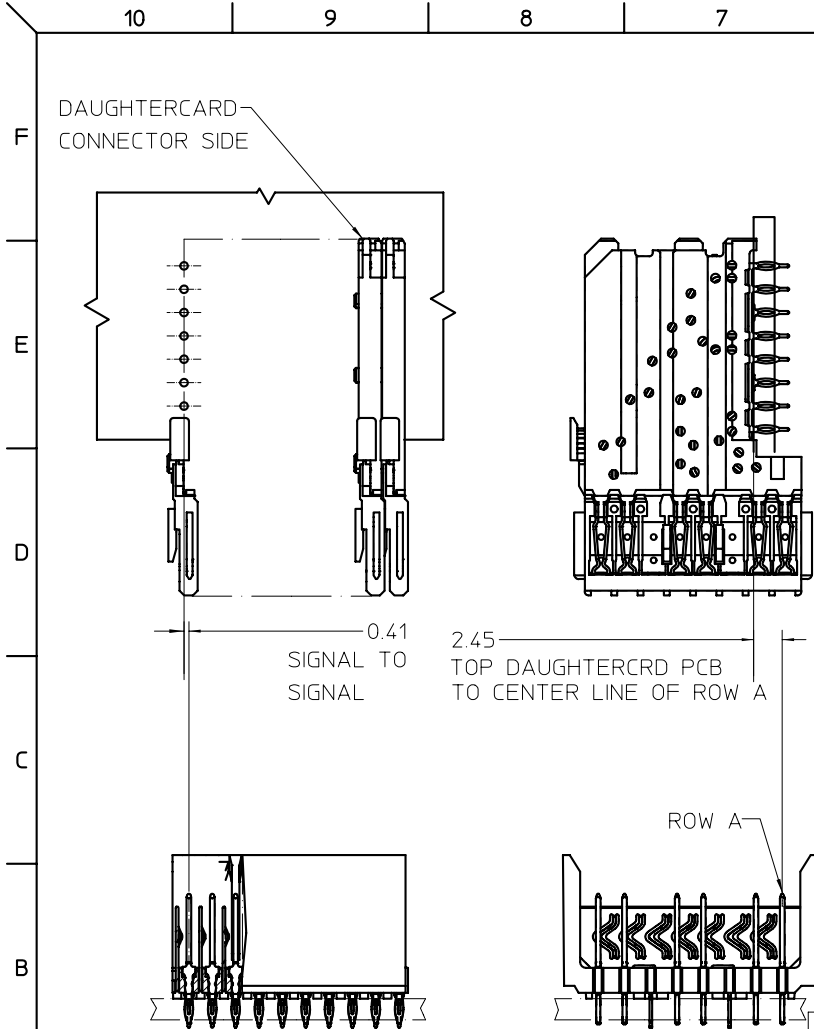


**BACKPLANE HOLE PATTERN  
RECOMMENDED DIMENSION**



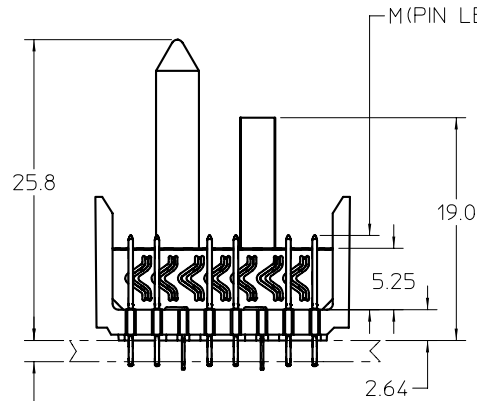
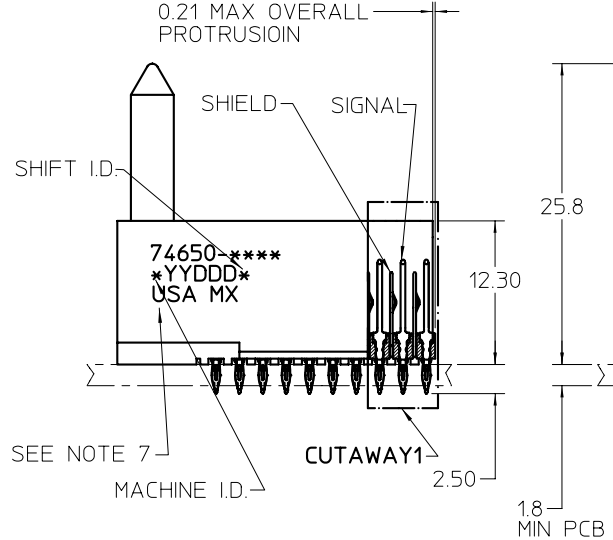
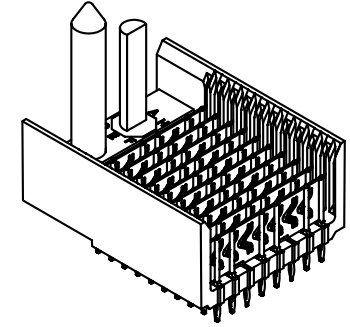
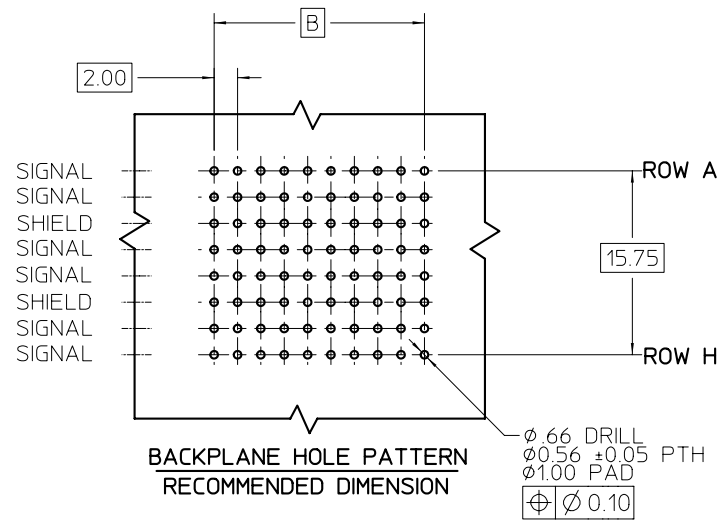
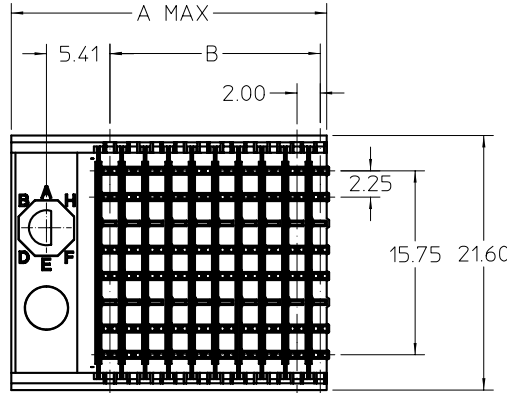
- NOTES:
1. MATERIAL:  
HOUSING -LIQUID CRYSTAL POLYMER (LCP), GLASS-FILLED. UL 94V-0, COLOR BLACK.  
SIGNAL PIN & SHIELD -HIGH PERFORMANCE COPPER ALLOY.
  2. FINISHES: SELECTIVE GOLD (Au) ON CONTACT AREA SELECTIVE TIN/LEAD (Sn/Pb) ON PCB TAILS NICKEL (Ni) OVERALL.
  3. THIS PART CONFORMS TO MOLEX PRODUCT SPECIFICATION PS-74031-999.
  4. FOR MIXED CONTACT MATING LENGTHS CONSULT MOLEX FOR AVAILABILITY.
  5. FOR SPECIFIC PART NUMBERS AND MATING INFORMATION REFER TO SHEET 2.
  6. PACKAGE PER PK-74060-003.
  7. EITHER MARK PART NUMBER AND DATE CODE APPROXIMATELY WHERE SHOWN OR PLACE LABEL ON THE TUBE.

EC NO: UDT2001-1403 DRWN: MQWANG 2001/08/23 CHKD: JLAURX 2001/08/23 APPR: CBIXLER 2001/08/24	QUALITY SYMBOLS ▽ = 0 ◻ = 0	GENERAL TOLERANCES (UNLESS SPECIFIED)		SCALE 2.5:1	DESIGN UNITS METRIC	THIRD ANGLE PROJECTION	REVISE ON CAD ONLY	
		4 PLACES ± --- ± ---	3 PLACES ± --- ± ---	DIMENSION STYLE MM ONLY		TITLE HSD SALES ASSEMBLY 8 ROW OPEN END BACKPLANE		
		2 PLACES ± --- ± ---	1 PLACE ± --- ± ---	DRAWN BY MQWANG	DATE 2001/01/22	MOLEX INCORPORATED		
		ANGULAR ±1/2°		CHECKED BY JLAURX	DATE 2001/01/23	APPROVED BY CBIXLER	DATE 2001/01/24	MATERIAL NO SEE SHEET 2
DRAFT WHERE APPLICABLE MUST REMAIN WITHIN DIMENSIONS		THIS DRAWING CONTAINS INFORMATION THAT IS PROPRIETARY TO MOLEX INCORPORATED AND SHOULD NOT BE USED WITHOUT WRITTEN PERMISSION						



PART NUMBER	COLUMN	NUMBER OF SIGNAL PINS	NUMBER OF SHIELDS	A MAX	B	M	Au (um) MIN THICKNESS	Sn/Pb (um) THICKNESS
74649-1001	10	60	10	20.00	18.00	4.75	0.76	0.38-152
74649-1006							1.27	
74649-2501	25	150	25	50.00	48.00	4.75	0.76	
74649-2506							1.27	
74649-1002	10	60	10	20.00	18.00	6.25	0.76	
74649-1007							1.27	
74649-2502	25	150	25	50.00	48.00	6.25	0.76	
74649-2507							1.27	
74649-1003	10	60	10	20.00	18.00	4.25	0.76	
74649-1008							1.27	
74649-2503	25	150	25	50.00	48.00	4.25	0.76	
74649-2508							1.27	
74649-1004	10	60	10	20.00	18.00	5.15	0.76	
74649-1009							1.27	
74649-2504	25	150	25	50.00	48.00	5.15	0.76	
74649-2509							1.27	

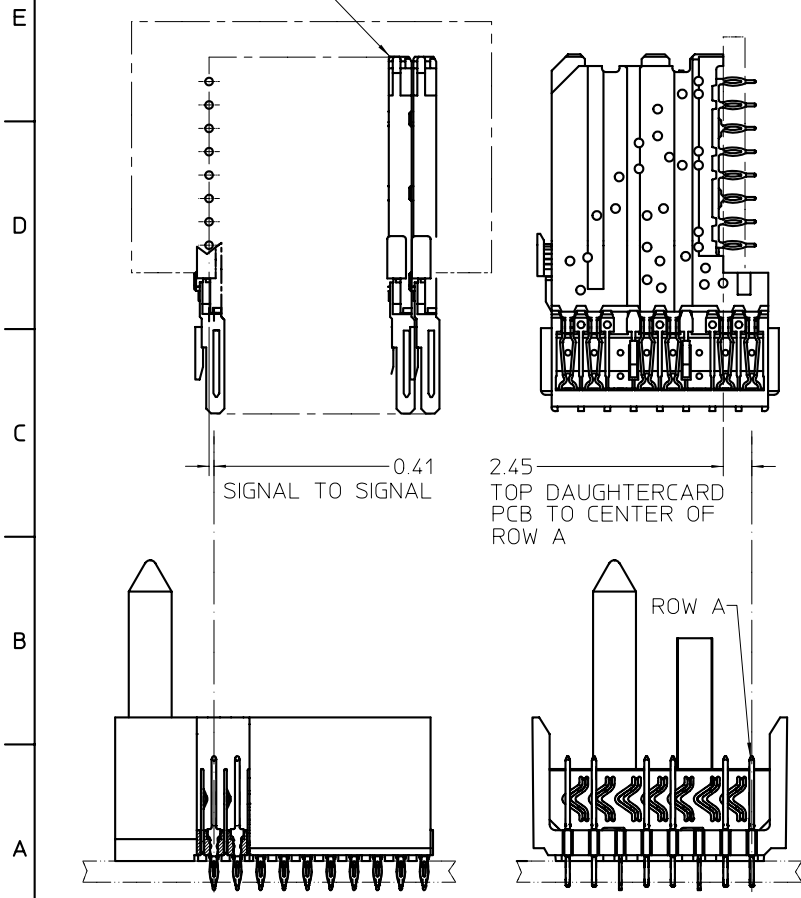
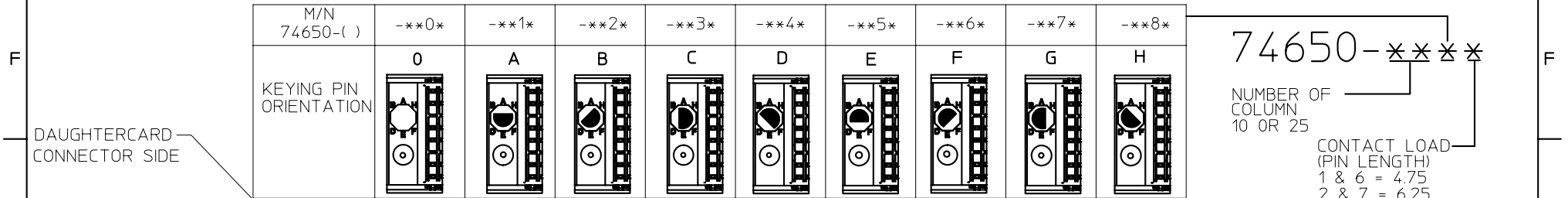
EC NO: UDT2001-1403 DRWN: MQWANG 2001/08/23 CHKD: JLAURX 2001/08/23 APPR: CBXLER 2001/08/24	QUALITY SYMBOLS	GENERAL TOLERANCES (UNLESS SPECIFIED)		SCALE 2.5:1	DESIGN UNITS METRIC	THIRD ANGLE PROJECTION	REVISE ON CAD ONLY
	▽ = 0	mm	INCH	DIMENSION STYLE MM ONLY		TITLE HSD SALES ASSEMBLY 8 ROW OPEN END BACKPLANE	
	∠ = 0	4 PLACES ± ---	± ---	DRAWN BY MQWANG	DATE 2001/01/22	MOLEX INCORPORATED	
		3 PLACES ± ---	± ---	CHECKED BY JLAURX	DATE 2001/01/23	MATERIAL NO SEE TABLE	DOCUMENT NO SD-74649-002
		2 PLACES ± ---	± ---	APPROVED BY CBXLER		DATE 2001/01/24	
		1 PLACE ± ---	± ---	DRAFT WHERE APPLICABLE MUST REMAIN WITHIN DIMENSIONS			
		ANGULAR ±1/2°		THIS DRAWING CONTAINS INFORMATION THAT IS PROPRIETARY TO MOLEX INCORPORATED AND SHOULD NOT BE USED WITHOUT WRITTEN PERMISSION			



- NOTES:
1. MATERIAL: HOUSING -LIQUID CRYSTAL POLYMER (LCP) GLASS-FILLED. UL 94-0. COLOR BLACK. SIGNAL & SHIELD -HIGH PERFORMANCE COPPER ALLOY.
  2. FINISHES: SELECTIVE GOLD (Au) ON CONTACT AREA. SELECTIVE TIN/LEAD (Sn/Pb) ON PCB TAILS. NICKEL (Ni) OVERALL.
  3. THIS PART CONFORMS TO MOLEX PRODUCT SPECIFICATION PS-74031-999.
  4. FOR MIXED CONTACT MATING LENGTHS CONSULT MOLEX FOR AVAILABILITY.
  5. FOR SPECIFIC PART NUMBER AND MATING INFORMATION REFER TO SHEET 2.
  6. PACKAGE PER PK-74061-003.
  7. EITHER MARK PART NUMBER AND DATE CODE APPROXIMATELY WHERE SHOWN OR PLACE LABEL ON THE TUBE.

EC NO: UDT2001-1403 DRWN: MWANG 2001/08/23 CHKD: JLARUX 2001/08/23 APPR: CBIXLER 2001/08/24	QUALITY SYMBOLS ▽ = 0 ▽ = 0	GENERAL TOLERANCES (UNLESS SPECIFIED)		SCALE 2.5:1	DESIGN UNITS METRIC	THIRD ANGLE PROJECTION	REVISE ON CAD ONLY	
		4 PLACES ± --- ± ---	3 PLACES ± --- ± ---	DIMENSION STYLE MM ONLY		TITLE HSD SALES ASSEMBLY 8 ROW SIGNAL END BACKPLANE		
		2 PLACES ± --- ± ---	1 PLACE ± --- ± ---	DRAWN BY MWANG	DATE 2001/03/22	MOLEX INCORPORATED		
		ANGULAR ±1/2°		CHECKED BY JLAURX	DATE 2001/03/27	APPROVED BY CBIXLER	DATE 2001/03/27	MATERIAL NO SEE SHEET 2
DRAFT WHERE APPLICABLE MUST REMAIN WITHIN DIMENSIONS		SHEET NO 1 OF 2		THIS DRAWING CONTAINS INFORMATION THAT IS PROPRIETARY TO MOLEX INCORPORATED AND SHOULD NOT BE USED WITHOUT WRITTEN PERMISSION				

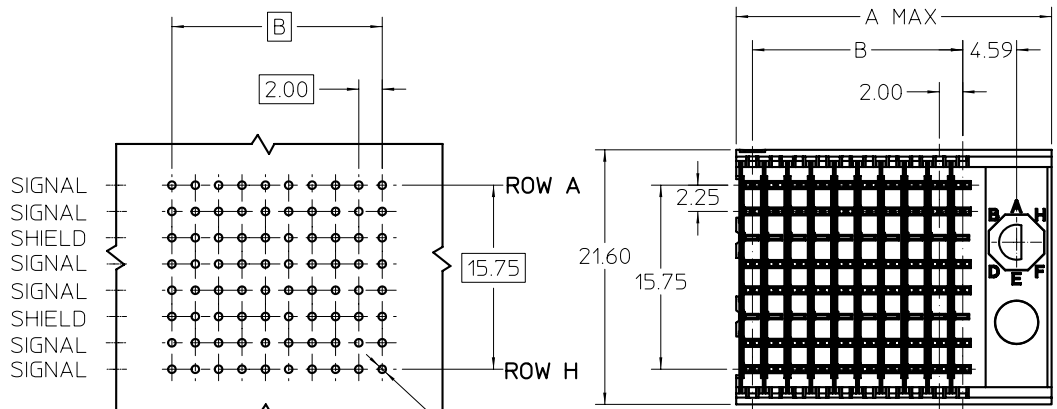
10 9 8 7 6 5 4 3 2 74650



PART NUMBER	COLUMN	NUMBER OF SIGNAL PINS	NUMBER OF SHIELDS	A MAX	B	M	Au (um) MIN THICKNESS	Sn/Pb (um) THICKNESS
74650-10*1	10	60	10	27.00	18.00	4.75	0.76	0.38-152
74650-10*6							1.27	
74650-25*1	25	150	25	57.00	48.00		0.76	
74650-25*6							1.27	
74650-10*2	10	60	10	27.00	18.00	6.25	0.76	
74650-10*7							1.27	
74650-25*2	25	150	25	57.00	48.00		0.76	
74650-25*7							1.27	
74650-10*3	10	60	10	27.00	18.00	4.25	0.76	
74650-10*8							1.27	
74650-25*3	25	150	25	57.00	48.00		0.76	
74650-25*8							1.27	
74650-10*4	10	60	10	27.00	18.00	5.15	0.76	
74650-10*9							1.27	
74650-25*4	25	150	25	57.00	48.00		0.76	
74650-25*9							1.27	

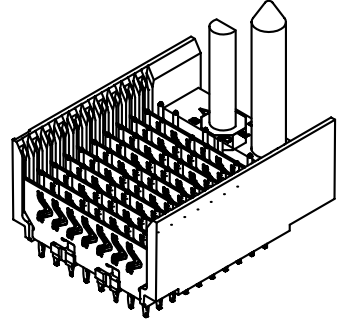
EC NO: UDT2001-1403 DRWN: MQWANG 2001/08/23 CHKD: JLARUX 2001/08/23 APPR: CBXLER 2001/08/24	QUALITY SYMBOLS ▽ - 0 ▽ - 0	GENERAL TOLERANCES (UNLESS SPECIFIED)		SCALE 2.5:1	DESIGN UNITS METRIC	THIRD ANGLE PROJECTION	REVISE ON CAD ONLY
		DIMENSION STYLE MM ONLY		TITLE HSD SALES ASSEMBLY 8 ROW SIGNAL END BACKPLANE			
		DRAFT WHERE APPLICABLE MUST REMAIN WITHIN DIMENSIONS		MOLEX INCORPORATED			
		THIS DRAWING CONTAINS INFORMATION THAT IS PROPRIETARY TO MOLEX INCORPORATED AND SHOULD NOT BE USED WITHOUT WRITTEN PERMISSION		MATERIAL NO SEE TABLE	DOCUMENT NO SD-74650-002	SHEET NO 2 OF 2	

8 7 6 5 4 3 2 1

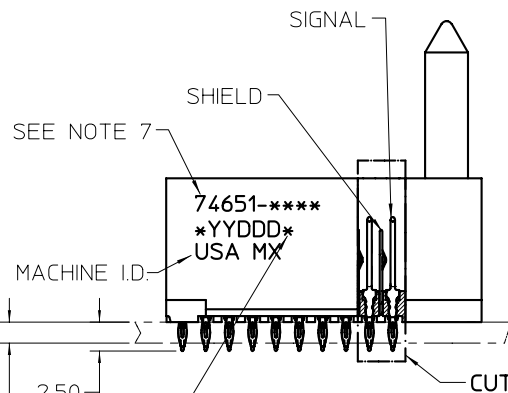
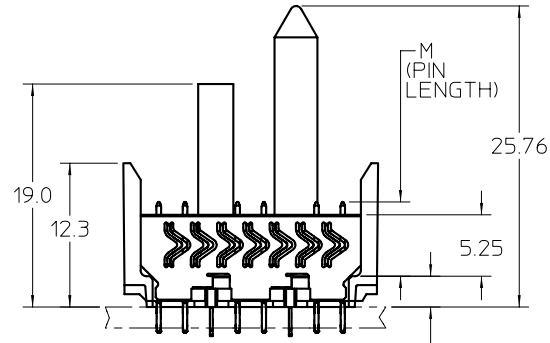


**BACKPLANE HOLE PATTERN  
RECOMMENDED DIMENSION**

∅0.66 DRILL  
∅0.56 ±0.05 PTH  
∅1.00 PAD  
∅0.10



- NOTES:
1. MATERIAL: HOUSING -LIQUID CRYSTAL POLYMER (LCP) GLASS-FILLED. UL 94-0. COLOR BLACK. SIGNAL & SHIELD -HIGH PERFORMANCE COPPER ALLOY.
  2. FINISHES: SELECTIVE GOLD (Au) ON CONTACT AREA. SELECTIVE TIN/LEAD (Sn/Pb) ON PCB TAILS. NICKEL (Ni) OVERALL.
  3. THIS PART CONFORMS TO MOLEX PRODUCT SPECIFICATION PS-74031-999.
  4. FOR MIXED CONTACT MATING LENGTHS CONSULT MOLEX FOR AVAILABILITY.
  5. FOR SPECIFIC PART NUMBER AND MATING INFORMATION REFER TO SHEET 2.
  6. PACKAGE PER PK-74061-003.
  7. EITHER MARK PART NUMBER AND DATE CODE APPROXIMATELY WHERE SHOWN OR PLACE LABEL ON THE TUBE.



SEE NOTE 7

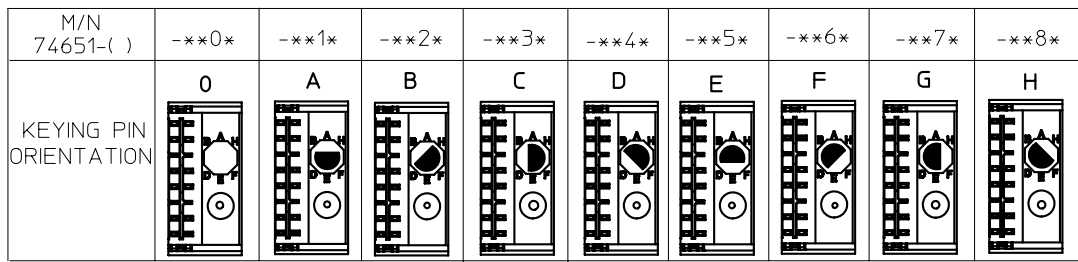
EC NO: UDT2001-1403	DRWN: MWANG 2001/08/23	CHKD: JLAURX 2001/08/23	APPR: CBIXLER 2001/08/24
REV A	DESCRIPTION	QUALITY SYMBOLS	
		▽ = 0	
		∇ = 0	

GENERAL TOLERANCES (UNLESS SPECIFIED)	
	mm INCH
4 PLACES	± --- ± ---
3 PLACES	± --- ± ---
2 PLACES	± --- ± ---
1 PLACE	± --- ± ---
ANGULAR ±1/2°	
DRAFT WHERE APPLICABLE MUST REMAIN WITHIN DIMENSIONS	

SCALE 2.5:1	DESIGN UNITS METRIC
DIMENSION STYLE MM ONLY	
DRAWN BY MQWANG	DATE 2001/03/26
CHECKED BY JLAURX	DATE 2001/04/01
APPROVED BY CBIXLER	DATE 2001/04/01

THIRD ANGLE PROJECTION	REVISE ON CAD ONLY
TITLE HSD SALES ASSEMBLY 8 ROW SHIELD END BACKPLANE	
MOLEX INCORPORATED	
MATERIAL NO SEE SHEET 2	DOCUMENT NO SD-74651-002
SHEET NO 1 OF 2	
THIS DRAWING CONTAINS INFORMATION THAT IS PROPRIETARY TO MOLEX INCORPORATED AND SHOULD NOT BE USED WITHOUT WRITTEN PERMISSION	

10 | 9 | 8 | 7 | 6 | 5 | 4 | 3 | 2 | 74651

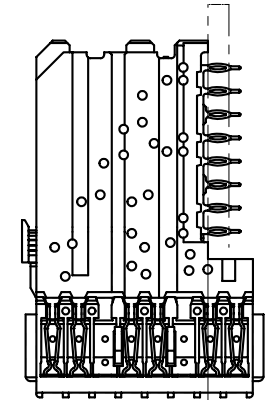
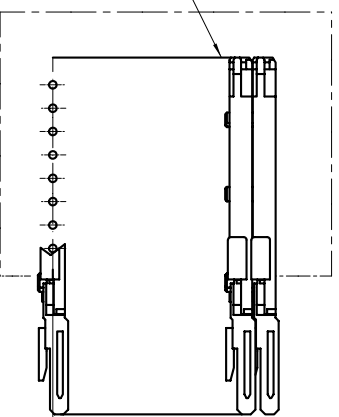


74651-\*\*\*\*

NUMBER OF COLUMN  
10 OR 25

CONTACT LOAD  
(PIN LENGTH)  
1 & 6 = 4.75  
2 & 7 = 6.25  
3 & 8 = 4.25  
4 & 9 = 5.15

DAUGHTERCARD  
CONNECTOR SIDE

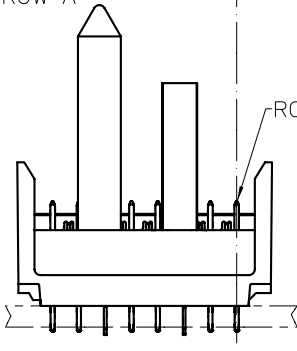
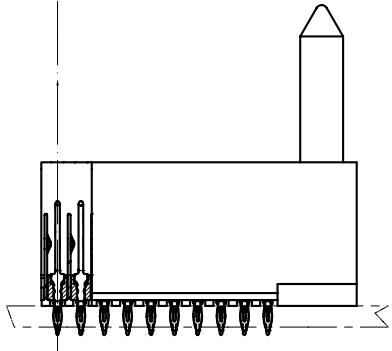


PART NUMBER	COLUMN	NUMBER OF SIGNAL PINS	NUMBER OF SHIELDS	A MAX	B	M	Au (um) MIN THICKNESS	Sn/Pb (um) THICKNESS
74651-10*1	10	60	10	27.00	18.00	4.75	0.76	0.38-152
74651-10*6							1.27	
74651-25*1	25	150	25	57.00	48.00		0.76	
74651-25*6							1.27	
74651-10*2	10	60	10	27.00	18.00	6.25	0.76	
74651-10*7							1.27	
74651-25*2	25	150	25	57.00	48.00		0.76	
74651-25*7							1.27	
74651-10*3	10	60	10	27.00	18.00	4.25	0.76	
74651-10*8							1.27	
74651-25*3	25	150	25	57.00	48.00		0.76	
74651-25*8							1.27	
74651-10*4	10	60	10	27.00	18.00	5.15	0.76	
74651-10*9							1.27	
74651-25*4	25	150	25	57.00	48.00		0.76	
74651-25*9							1.27	

0.41  
SIGNAL TO SIGNAL

2.45  
TOP DAUGHTERCARD  
PCB TO CENTER OF  
ROW A

ROW A



EC NO: UDT2001-1403  
DRWN: MWANG 2001/08/23  
CHKD: JLAURX 2001/08/23  
APPR: CBXLER 2001/08/24

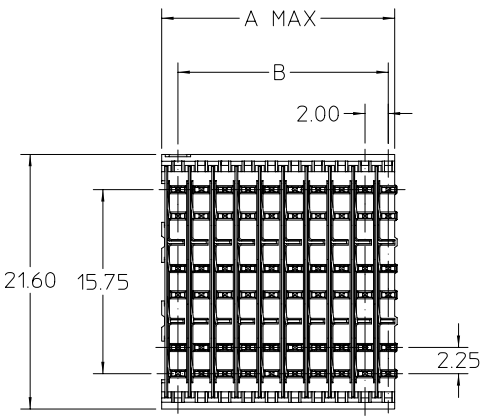
QUALITY SYMBOLS  
-0  
C-0

GENERAL TOLERANCES (UNLESS SPECIFIED)  
4 PLACES ± --- ± ---  
3 PLACES ± --- ± ---  
2 PLACES ± --- ± ---  
1 PLACE ± --- ± ---  
ANGULAR ±1/2°  
DRAFT WHERE APPLICABLE  
MUST REMAIN WITHIN DIMENSIONS

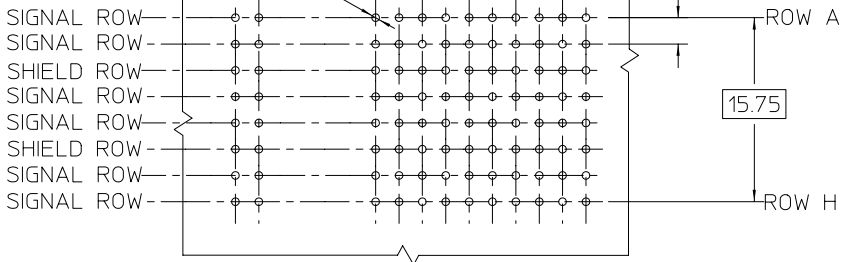
SCALE 2.5:1  
DESIGN UNITS METRIC  
DIMENSION STYLE MM ONLY  
DRAWN BY DATE  
MQWANG 2001/03/26  
CHECKED BY DATE  
JLAURX 2001/04/01  
APPROVED BY DATE  
CBXLER 2001/04/01

THIRD ANGLE PROJECTION  
REVISE ON CAD ONLY  
TITLE  
HSD SALES ASSEMBLY  
8 ROW SHIELD END  
BACKPLANE  
molex MOLEX INCORPORATED  
MATERIAL NO SEE TABLE  
DOCUMENT NO SD-74651-002  
SHEET NO 2 OF 2  
THIS DRAWING CONTAINS INFORMATION THAT IS PROPRIETARY TO MOLEX INCORPORATED AND SHOULD NOT BE USED WITHOUT WRITTEN PERMISSION

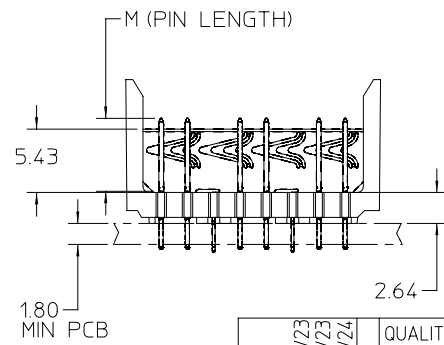
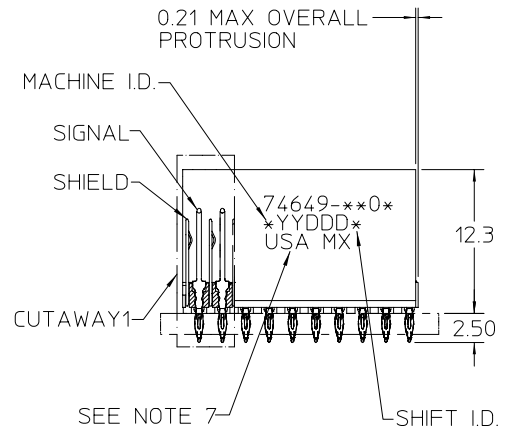
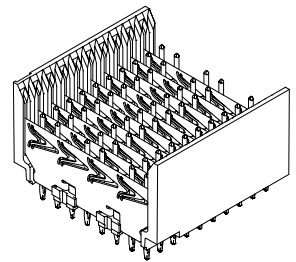
8 | 7 | 6 | 5 | 4 | 3 | 2 | 1



$\phi 0.66$  DRILL  
 $\phi 0.56 \pm 0.05$  PTH  
 $\phi 1.00$  PAD  
 $\phi 0.10$



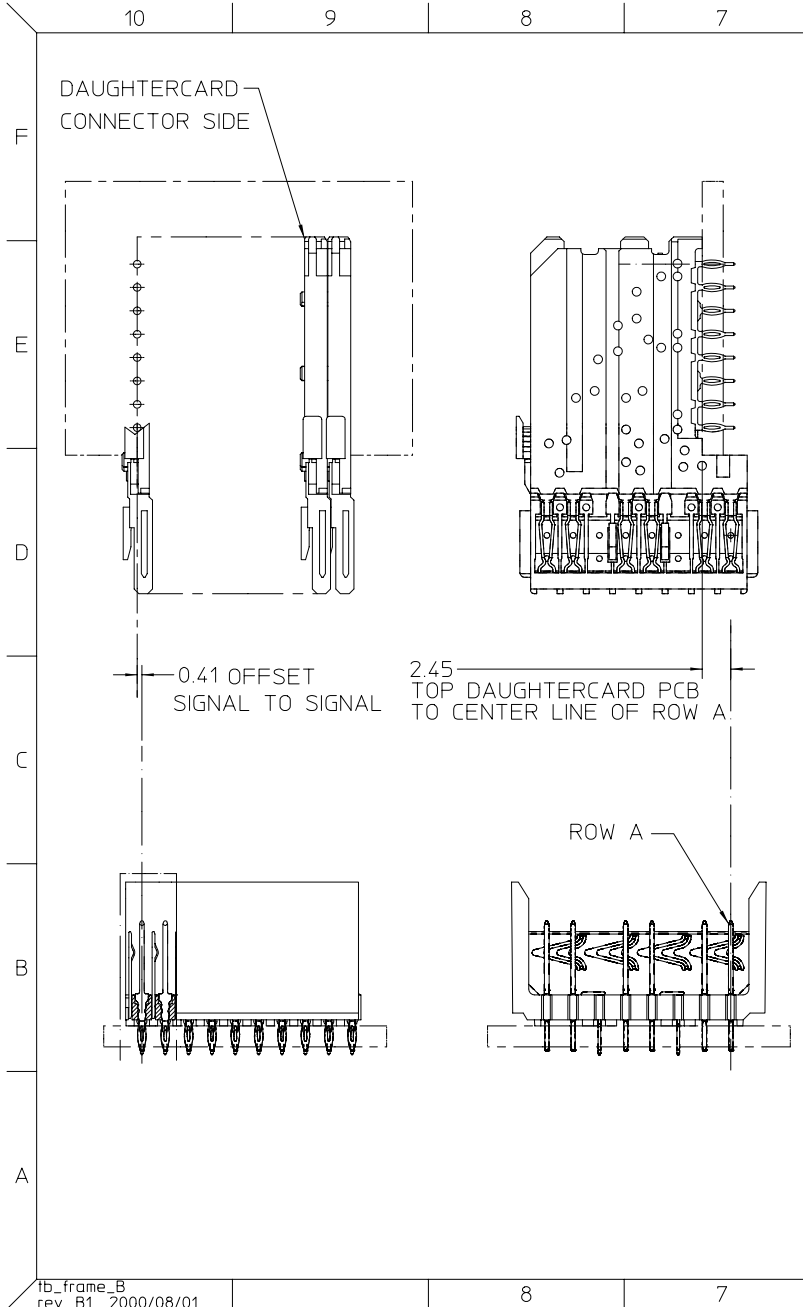
BACKPLANE HOLE PATTERN  
RECOMMENDED DIMENSION



NOTES:

1. MATERIAL:  
HOUSING -LIQUID CRYSTAL POLYMER (LCP), GLASS-FILLED. UL 94V-0. COLOR BLACK. SIGNAL PIN & SHIELD -HIGH PERFORMANCE COPPER ALLOY.
2. FINISHES: SELECTIVE GOLD (Au) ON CONTACT AREA; SELECTIVE TIN/LEAD (Sn/Pb) ON PCB TAILS; AND NICKEL (Ni) OVERALL.
3. THIS PART CONFORMS TO MOLEX PRODUCT SPECIFICATION PS-74031-999.
4. FOR MIXED CONTACT MATING LENGTHS CONSULT MOLEX FOR AVAILABILITY.
5. FOR SPECIFIC PART NUMBERS AND MATING INFORMATION REFER TO SHEET 2.
6. PACKAGE PER PK-74060-003.
7. EITHER MARK PART NUMBER AND DATE CODE APPROXIMATELY WHERE SHOWN OR PLACE LABEL ON THE TUBE.

EC NO: UDT2001-1403 DRWN: MWANG 2001/08/23 CHKD: JLAURX 2001/08/23 APPR: CBXLER 2001/08/24	QUALITY SYMBOLS ▽ = 0 ▽ = 0	GENERAL TOLERANCES (UNLESS SPECIFIED)		SCALE 2.5:1	DESIGN UNITS METRIC	THIRD ANGLE PROJECTION	REVISE ON CAD ONLY	
		4 PLACES ± --- ± ---	3 PLACES ± --- ± ---	DIMENSION STYLE MM ONLY		TITLE HSD SALES ASSEMBLY 8 ROW ADVANCED SHIELD OPEN END BACKPLANE		
		2 PLACES ± --- ± ---	1 PLACE ± --- ± ---	DRAWN BY MWANG	DATE 2001/05/21	MOLEX INCORPORATED		
		ANGULAR ±1/2°		CHECKED BY JLAURX	DATE 2001/05/25	APPROVED BY CBXLER	DATE 2001/05/25	MATERIAL NO SEE SHEET 2
DRAFT WHERE APPLICABLE MUST REMAIN WITHIN DIMENSIONS		SHEET NO 1 OF 2		THIS DRAWING CONTAINS INFORMATION THAT IS PROPRIETARY TO MOLEX INCORPORATED AND SHOULD NOT BE USED WITHOUT WRITTEN PERMISSION				

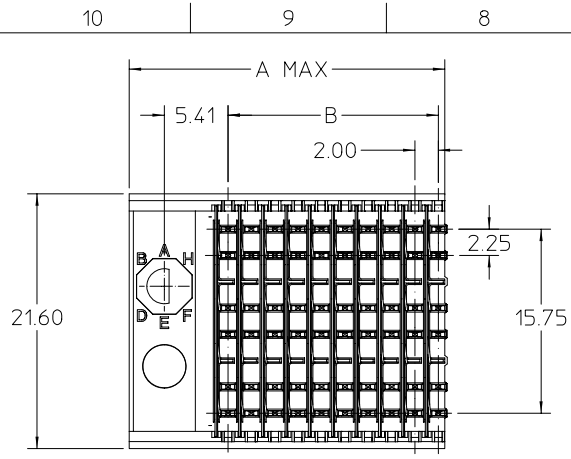


PART NUMBER	COLUMN	NUMBER OF SIGNAL PINS	NUMBER OF SHIELDS	A MAX	B	M	Au (um) MIN THICKNESS	Sn/P/b (um) THICKNESS
74649-1101	10	60	10	20.00	18.00	4.75	0.38-152	0.76
74649-1106								1.27
74649-2601	25	150	25	50.00	48.00	0.76		
74649-2606						1.27		
74649-1102	10	60	10	20.00	18.00	6.25		0.76
74649-1107								1.27
74649-2602	25	150	25	50.00	48.00	0.76		
74649-2607						1.27		
74649-1103	10	60	10	20.00	18.00	4.25		0.76
74649-1108								1.27
74649-2603	25	150	25	50.00	48.00	0.76		
74649-2608						1.27		
74649-1104	10	60	10	20.00	18.00	5.15	0.76	
74649-1109							1.27	
74649-2604	25	150	25	50.00	48.00	0.76		
74649-2609						1.27		

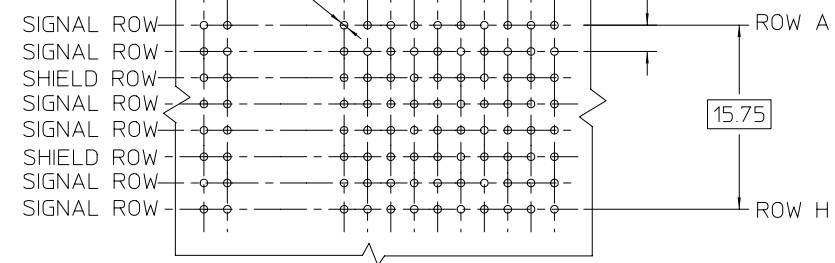
EC NO: UDT2001-1403 DRWN: MQWANG 2001/08/23 CHKD: JLAURX 2001/08/23 APPR: CBIXLER 2001/08/24	QUALITY SYMBOLS ▽ = 0 ▽ = 0	GENERAL TOLERANCES (UNLESS SPECIFIED) 4 PLACES ± --- ± --- 3 PLACES ± --- ± --- 2 PLACES ± --- ± --- 1 PLACE ± --- ± --- ANGULAR ±1/2°	SCALE 2.5:1 DESIGN UNITS METRIC DIMENSION STYLE MM ONLY	THIRD ANGLE PROJECTION REVISE ON CAD ONLY	
	DRAWN BY MQWANG DATE 2001/05/21	CHECKED BY JLAURX DATE 2001/05/25	APPROVED BY CBIXLER DATE 2001/05/25	MATERIAL NO SEE TABLE DOCUMENT NO SD-74649-003	SHEET NO 2 OF 2
	TITLE HSD SALES ASSEMBLY 8 ROW ADVANCED SHIELD OPEN END BACKPLANE				
	MOLEX INCORPORATED				

THIS DRAWING CONTAINS INFORMATION THAT IS PROPRIETARY TO MOLEX INCORPORATED AND SHOULD NOT BE USED WITHOUT WRITTEN PERMISSION

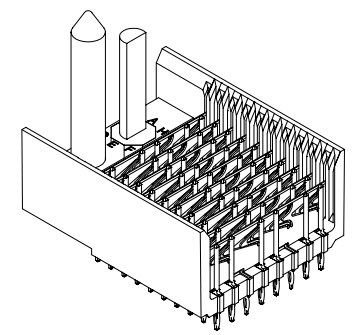




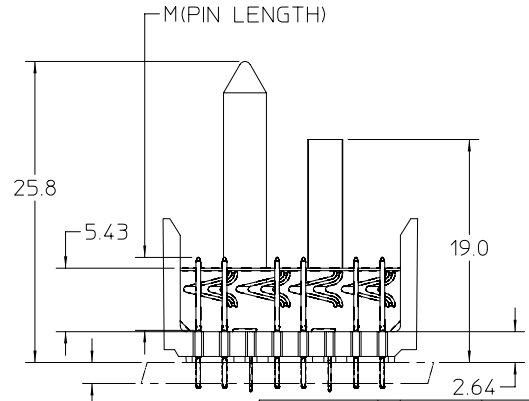
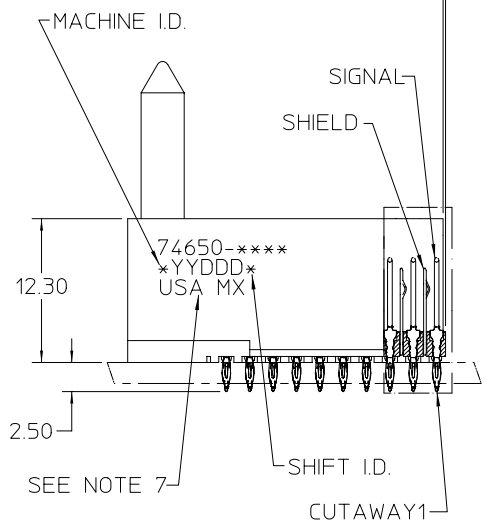
$\phi 0.66$  DRILL  
 $\phi 0.56 \pm 0.05$  PTH  
 $\phi 1.00$  PAD  
 $\phi \pm 0.10$



BACKPLANE HOLE PATTERN  
RECOMMENDED DIMENSION



0.21 MAX OVERALL PROTRUSION

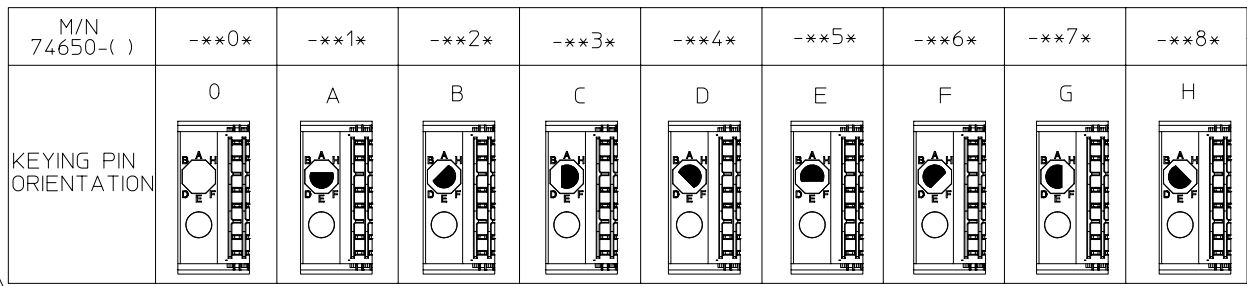


NOTES:

1. MATERIAL: HOUSING -LIQUID CRYSTAL POLYMER (LCP) GLASS-FILLED. UL 94-0. COLOR BLACK. SIGNAL & SHIELD -HIGH PERFORMANCE COPPER ALLOY.
2. FINISHES: SELECTIVE GOLD (Au) ON CONTACT AREA; SELECTIVE TIN/LEAD (Sn/Pb) ON PCB TAILS; NICKEL (Ni) OVERALL.
3. THIS PART CONFORMS TO MOLEX PRODUCT SPECIFICATION PS-74031-999.
4. FOR MIXED CONTACT MATING LENGTHS CONSULT MOLEX FOR AVAILABILITY.
5. FOR SPECIFIC PART NUMBER AND MATING INFORMATION REFER TO SHEET 2.
6. PACKAGE PER PK-74061-003.
7. EITHER MARK PART NUMBER AND DATE CODE APPROXIMATELY WHERE SHOWN OR PLACE LABEL ON THE TUBE.

EC NO: UDT2002-0443 DRWN: MQWANG 2001/09/19 CHKD: NMARTIN 2001/09/19 APPR: CBIXLER 2001/09/20 DESCRIPTION	QUALITY SYMBOLS	GENERAL TOLERANCES (UNLESS SPECIFIED)	SCALE 2.5:1	DESIGN UNITS METRIC	THIRD ANGLE PROJECTION	REVISE ON CAD ONLY
	▽ 0 ◁ 0	4 PLACES ± --- ± ---	DIMENSION STYLE MM ONLY DRAWN BY DATE MQWANG 2001/05/21 CHECKED BY DATE JLAURX 2001/05/25	TITLE		
		3 PLACES ± --- ± ---		HSD SALES ASSEMBLY		
		2 PLACES ± --- ± ---	8 ROW ADVANCED SHIELD			
	1 PLACE ± --- ± ---	SIGNAL END BACKPLANE				
	ANGULAR ±1/2°	MOLEX MOLEX INCORPORATED				
	DRAFT WHERE APPLICABLE	APPROVED BY DATE	MATERIAL NO	DOCUMENT NO	SHEET NO	
	MUST REMAIN WITHIN DIMENSIONS	CBIXLER 2001/05/25	SEE SHEET 2	SD-74650-003	1 OF 2	
		THIS DRAWING CONTAINS INFORMATION THAT IS PROPRIETARY TO MOLEX INCORPORATED AND SHOULD NOT BE USED WITHOUT WRITTEN PERMISSION				

10 9 8 7 6 5 4 3 2 74650

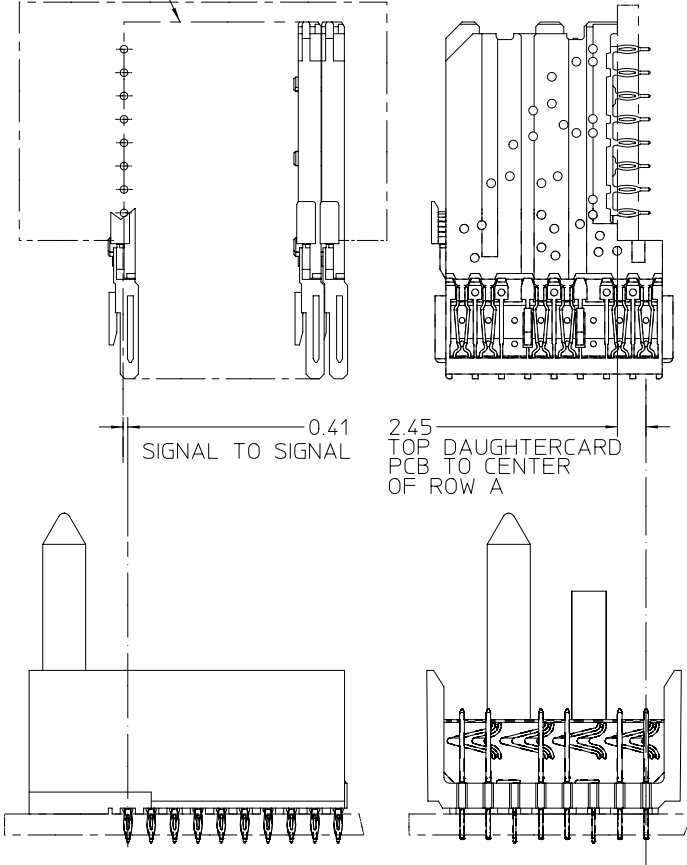


74650-\*\*\*

NUMBER OF COLUMNS 11 OR 26

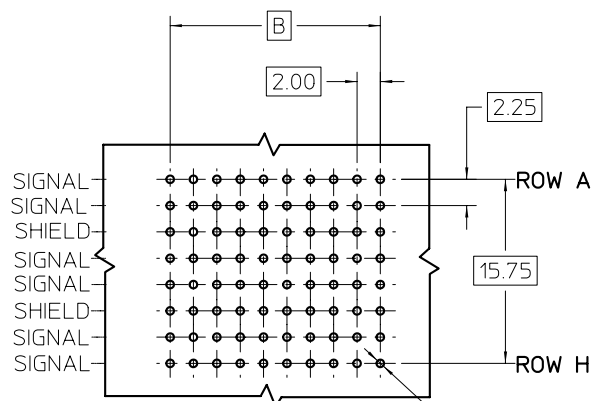
CONTACT LOAD (PIN LENGTH)  
 1 & 6 = 4.75  
 2 & 7 = 6.25  
 3 & 8 = 4.25  
 4 & 9 = 5.15

DAUGHTERCARD CONNECTOR SIDE



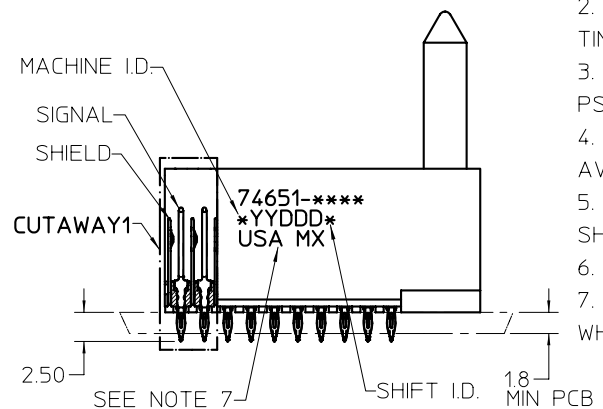
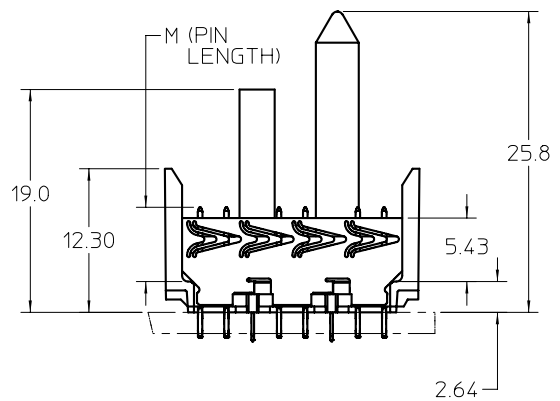
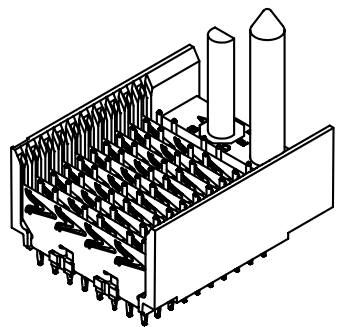
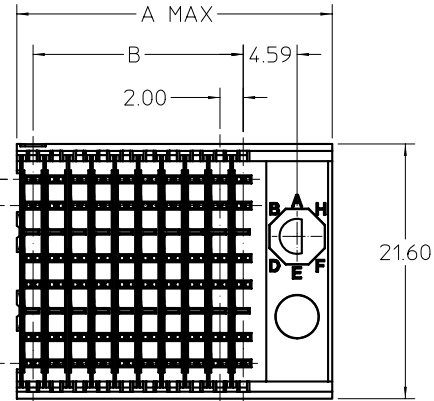
PART NUMBER	COLUMN	NUMBER OF SIGNAL PINS	NUMBER OF SHIELDS	A MAX	B	M	Au (um) MIN THICKNESS	Sn/Pb (um) THICKNESS
74650-11*1	10	60	10	27.00	18.00	4.75	0.76	0.38-152
74650-11*6							1.27	
74650-26*1	25	150	25	57.00	48.00	6.25	0.76	
74650-26*6							1.27	
74650-11*2	10	60	10	27.00	18.00	4.25	0.76	
74650-11*7							1.27	
74650-26*2	25	150	25	57.00	48.00	5.15	0.76	
74650-26*7							1.27	
74650-11*3	10	60	10	27.00	18.00	4.75	0.76	
74650-11*8							1.27	
74650-26*3	25	150	25	57.00	48.00	6.25	0.76	
74650-26*8							1.27	
74650-11*4	10	60	10	27.00	18.00	5.15	0.76	
74650-11*9							1.27	
74650-26*4	25	150	25	57.00	48.00	4.75	0.76	
74650-26*9							1.27	

EC NO: UDT2002-0443 DRWN: MQWANG 2001/09/19 CHKD: NMARTIN 2001/09/19 APPR: CBIXLER 2001/09/20	QUALITY SYMBOLS	GENERAL TOLERANCES (UNLESS SPECIFIED)	SCALE 2.5:1	DESIGN UNITS METRIC	THIRD ANGLE PROJECTION	REVISE ON CAD ONLY
	▼ -0 ▽ -0	4 PLACES ± --- ± --- 3 PLACES ± --- ± --- 2 PLACES ± --- ± --- 1 PLACE ± --- ± ---	mm    INCH DIMENSION STYLE MM ONLY	TITLE		
		ANGULAR ±1/2° DRAFT WHERE APPLICABLE MUST REMAIN WITHIN DIMENSIONS	DRAWN BY MQWANG    DATE 2001/05/21 CHECKED BY JLAURX    DATE 2001/05/25 APPROVED BY CBIXLER    DATE 2001/05/25	HSD SALES ASSEMBLY 8 ROW ADVANCED SHIELD SIGNAL END BACKPLANE MOLEX INCORPORATED		
	REV	DESCRIPTION	MATERIAL NO	DOCUMENT NO	SHEET NO	
		SEE TABLE	SD-74650-003	2 OF 2		



**BACKPLANE HOLE PATTERN  
RECOMMENDED DIMENSION**

Ø0.66 DRILL  
Ø0.56 ±0.05 PTH  
Ø1.00 PAD  
⊕ Ø0.10

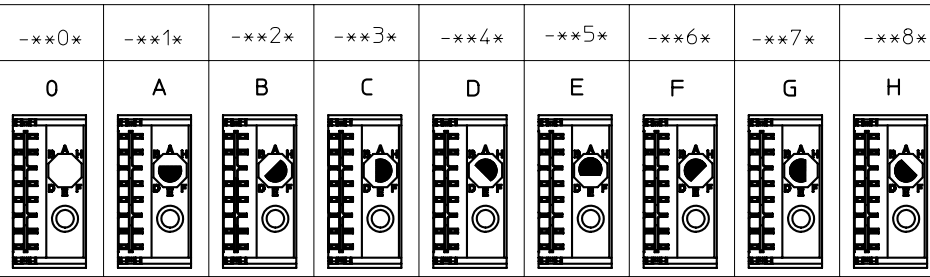
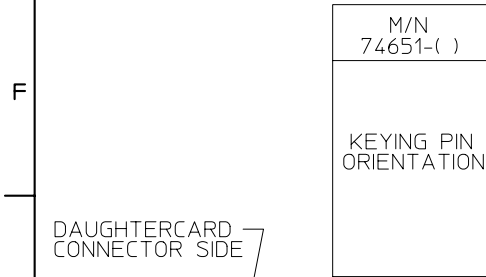


**NOTES:**

1. MATERIAL: HOUSING -LIQUID CRYSTAL POLYMER (LCP) GLASS-FILLED. UL 94-0. COLOR BLACK. SIGNAL & SHIELD -HIGH PERFORMANCE COPPER ALLOY.
2. FINISHES: SELECTIVE GOLD (Au) ON CONTACT AREA; SELECTIVE TIN/LEAD (Sn/Pb) ON PCB TAILS; AND NICKEL (Ni) OVERALL.
3. THIS PART CONFORMS TO MOLEX PRODUCT SPECIFICATION PS-74031-999.
4. FOR MIXED CONTACT MATING LENGTHS CONSULT MOLEX FOR AVAILABILITY.
5. FOR SPECIFIC PART NUMBER AND MATING INFORMATION REFER TO SHEET 2.
6. PACKAGE PER PK-74061-003.
7. EITHER MARK PART NUMBER AND DATE CODE APPROXIMATELY WHERE SHOWN OR PLACE LABEL ON THE TUBE.

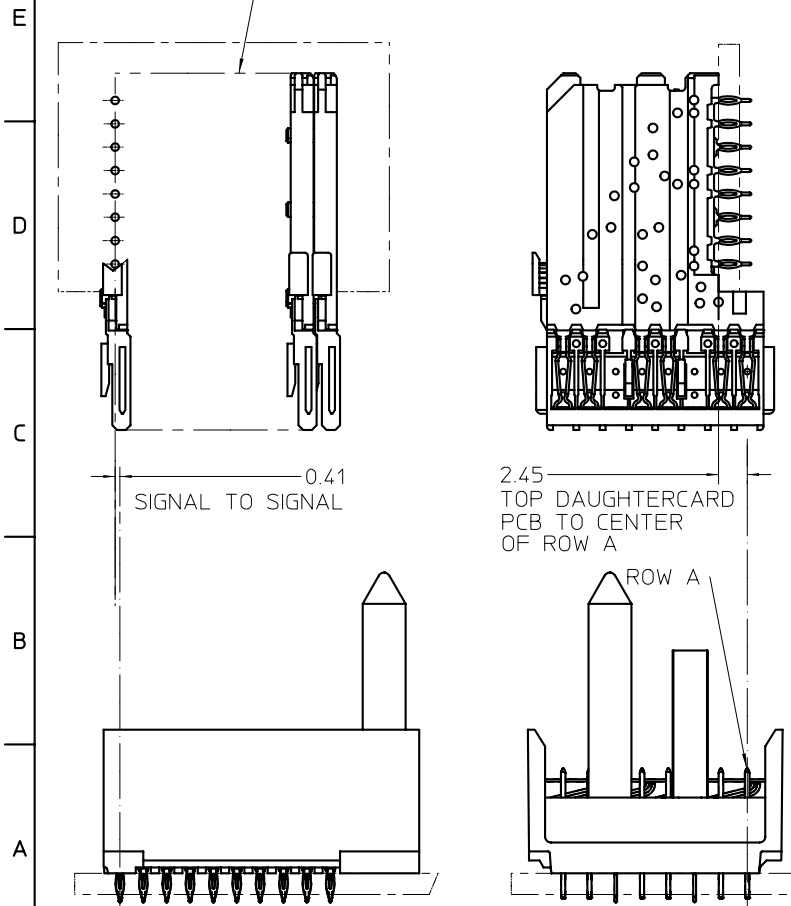
EC NO: UDT2002-0443 DRWN: MQWANG 2001/09/19 CHKD: NMARTIN 2001/09/19 APPR: CBIXLER 2001/09/20	QUALITY SYMBOLS ▽ = 0 ▽ = 0	GENERAL TOLERANCES (UNLESS SPECIFIED)		SCALE 2.5:1	DESIGN UNITS METRIC	THIRD ANGLE PROJECTION	REVISE ON CAD ONLY	
		4 PLACES ± --- ± ---	3 PLACES ± --- ± ---	DIMENSION STYLE MM ONLY		TITLE HSD SALES ASSEMBLY 8 ROW ADVANCED MATE SHIELD END BACKPLANE		
		2 PLACES ± --- ± ---	1 PLACE ± --- ± ---	DRAWN BY MQWANG	DATE 2001/05/22	MOLEX INCORPORATED		
		ANGULAR ±1/2°		CHECKED BY JLAURX	DATE 2001/05/25	APPROVED BY CBIXLER	DATE 2001/05/27	MATERIAL NO SEE SHEET 2
DRAFT WHERE APPLICABLE MUST REMAIN WITHIN DIMENSIONS		SHEET NO 1 OF 2		THIS DRAWING CONTAINS INFORMATION THAT IS PROPRIETARY TO MOLEX INCORPORATED AND SHOULD NOT BE USED WITHOUT WRITTEN PERMISSION				

10 9 8 7 6 5 4 3 2 74651



74651-\*\*\*\*  
 NUMBER OF COLUMN 10 OR 25  
 CONTACT LOAD (PIN LENGTH)  
 1 & 6 = 4.75  
 2 & 7 = 6.25  
 3 & 8 = 4.25  
 4 & 9 = 5.15

DAUGHTERCARD CONNECTOR SIDE



PART NUMBER	COLUMN	NUMBER OF SIGNAL PINS	NUMBER OF SHIELDS	A MAX	B	M	Au (um) MIN THICKNESS	Sn/Pb (um) THICKNESS
74651-11*1	10	60	10	27.00	18.00	4.75	0.76	0.38-152
74651-11*6							1.27	
74651-26*1	25	150	25	57.00	48.00	6.25	0.76	
74651-26*6							1.27	
74651-11*2	10	60	10	27.00	18.00	4.25	0.76	
74651-11*7							1.27	
74651-26*2	25	150	25	57.00	48.00	5.15	0.76	
74651-26*7							1.27	
74651-11*3	10	60	10	27.00	18.00	4.25	0.76	
74651-11*8							1.27	
74651-26*3	25	150	25	57.00	48.00	5.15	0.76	
74651-26*8							1.27	
74651-11*4	10	60	10	27.00	18.00	5.15	0.76	
74651-11*9							1.27	
74651-26*4	25	150	25	57.00	48.00		0.76	
74651-26*9							1.27	

tb\_frame\_B rev. B1 2000/08/01

8 7 6 5 4 3 2 1

EC NO: UDT2002-0443 DRWN: MWANG 2001/09/19 CHKD: NMARTIN 2001/09/19 APPR: CBIXLER 2001/09/20	QUALITY SYMBOLS ▽ - 0 ▽ - 0	GENERAL TOLERANCES (UNLESS SPECIFIED)		SCALE 2.5:1	DESIGN UNITS METRIC	THIRD ANGLE PROJECTION	REVISE ON CAD ONLY
		4 PLACES ± --- ± --- 3 PLACES ± --- ± --- 2 PLACES ± --- ± --- 1 PLACE ± --- ± ---	DIMENSION STYLE MM ONLY	TITLE HSD SALES ASSEMBLY 8 ROW ADVANCED MATE SHIELD END BACKPLANE			
		ANGULAR ±1/2°	DRAWN BY DATE MQWANG 2001/05/22	MOLEX INCORPORATED			
		DRAFT WHERE APPLICABLE MUST REMAIN WITHIN DIMENSIONS	CHECKED BY DATE JLAURX 2001/05/25	APPROVED BY DATE CBIXLER 2001/05/27	MATERIAL NO DOCUMENT NO SHEET NO SEE TABLE SD-74651-003 2 OF 2		

THIS DRAWING CONTAINS INFORMATION THAT IS PROPRIETARY TO MOLEX INCORPORATED AND SHOULD NOT BE USED WITHOUT WRITTEN PERMISSION