

SMT Power inductors CD-C-0304EM series



Features

The height is 1.2mm.
Reflow soldering.
SMT compatibility.

Applications

DC-DC converters.
Power supplies.

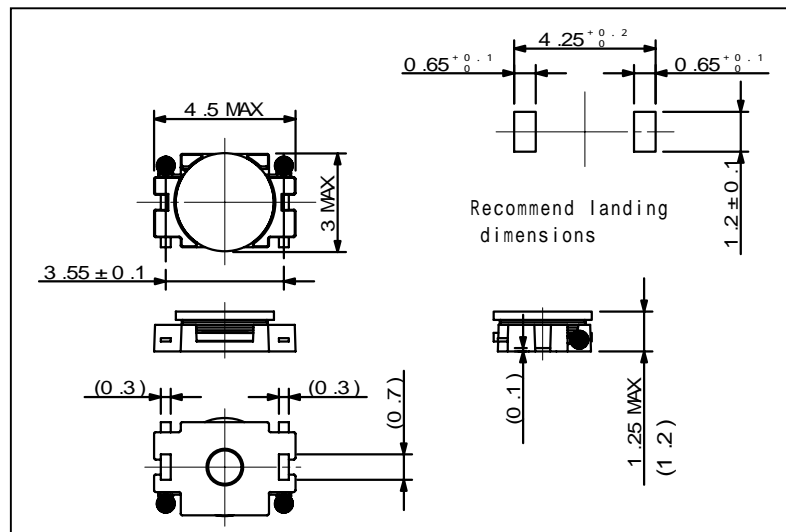
Packing quantity

27,000pcs./BOX.

Specifications

Withstand voltage	DC100V 1min. (core-coil)
Insulation resistance	DC100V 100MΩmin. (core-coil)
Operating temperature	-25°C - +100°C (including self-temperature rise)

Shapes and dimensions



Standard models

Model No.	Rated current [A]		Inductance [μH]	Inductance tolerance	DC resistance *3 [Ω]
	*1	*2			
CD-C-0304EM-4R7	0.8	0.56	4.7	±20%	0.30
CD-C-0304EM-6R8	0.67	0.48	6.8		0.43
CD-C-0304EM-100	0.60	0.42	10		0.58
CD-C-0304EM-150	0.44	0.29	15		0.97
CD-C-0304EM-220	0.38	0.24	22		1.47
CD-C-0304EM-330	0.31	0.21	33		1.85
CD-C-0304EM-470	0.25	0.16	47		3.2
CD-C-0304EM-680	0.21	0.14	68		4.2
CD-C-0304EM-101	0.18	0.13	100		5.1
CD-C-0304EM-121	0.16	0.1	120		8.6
CD-C-0304EM-151	0.15	0.09	150		10.2

f=1kHz, Ta=25°C

Rated current *1: The current at which the inductance is 20% below its initial value(Ta=25°C).Rated current *2: The D.C. current at which Δt=40°C.
DC resistance *3: Typical data.

DC Superimposed Characteristics

