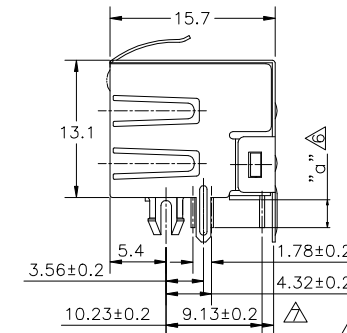
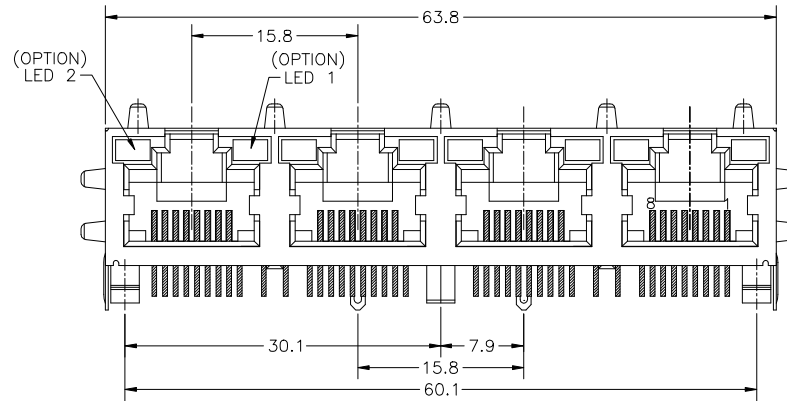
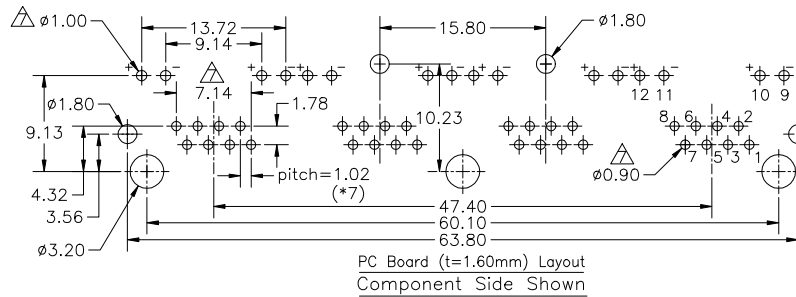


REVISION RECORD				
REV	ECO	DESCRIPTION	DRFT	CHKD
△		Number to revise.	JERRY 4/18/00'	
△		EC NUMBER.NOTE & TYPE	JERRY 7/15/00'	H
△		ADD LED TYPE	JERRY 7/25/00'	
△		EC NUMBER	JERRY 9/4/00'	
△		ADD TYPE	JERRY 9/11/00'	
△		ADD TYPE	JERRY 3/4/01'	
△		Modify Dimension	Christ 3/11/02'	
△		ADD TYPE	Jake 3/26/04'	
△		ADD TYPE	SUNLL 09/27/04'	G



ITEM	a
0	2.67 ±0.20
A	3.3 ±0.20

NOTES:

ELECTRICAL:

- VOLTAGE RATING : 125 VAC RMS.
- CURRENT RATING : 1.5 AMP.
- CONTACT RESISTANCE : 30 MILLIOHMS MAX.
- INSULATION RESISTANCE: 1000 MEGOHMS MIN @ 500 VDC.
- DIELECTRIC STRENGTH : 1000 VAC RMS 60Hz, 1MIN.
- LED RATINGS: FORWARD VOLTAGE: 2.2 VOLTS TYPICAL.
REVERSE VOLTAGE: 5 VOLTS MAXIMUM.
- OPERATING: 750 CYCLES MIN.

MECHANICAL:

- HOUSING MATERIAL : PBT+30%GF UL94V-0. COLOR-BLACK.
- INSERT MATERIAL : PBT+30%GF UL94V-0. COLOR-BLACK.
- LENS MATERIAL : PC UL94V-0. COLOR-CLEAR.
- BACK PLATE MATERIAL : PBT+30%GF. COLOR-BLACK.
- LED SIZE : 3.2*2.0*4.0*P=2.29mm.
- SHIELD MATERIAL : COPPER ALLOY 0.25mm THICKNESS PLATING NI.
- CONTACT MATERIAL : PHOSPHOR BRONZE 0.35mm THICKNESS OR Ø0.46mm.
- PLATING : GOLD PLATING OVER NICKEL.
- PCB RETENTION PRE-SOLDER : 1 LB MIN.
- PCB RETENTION POST-SOLDER: 10 LBS MIN.

ENVIRONMENTAL:

- STORAGE : -40°C TO +85°C.
 - OPERATION: 0°C TO 70°C.
- MATES WITH MODULAR PLUG CONFORMING TO
FCC PART 68, SUBPART F.
CUL FILE NO. E163191

△△△△ PART NUMBER: E5J88 - X X X X X

- 0-NO LED & NO LENS
- 1-LED1:GREEN ,LED2:YELLOW .
- 2-LED1:GREEN ,LED2:GREEN .
- 3-LED1:YELLOW ,LED2:GREEN .
- 4-LED1:G+Y ,LED2:G+Y .
- 5-LED1:RED ,LED2:GREEN .
- 7-LED1:YELLOW ,LED2:YELLOW .
- 8-LED1:GREEN ,LED2:NO LED.

- PLATING: 1-3u", 2-6u", 3-15u", 4-30u", 5-50u" (Ø0.46).
- ITEM: 0 OR A
- △5-W/O LOGO W/O TINNED SHIELD LEGS
- 4-4 PORTS W/O MIDDLE POLE △
- C-4 PORTS W/ MIDDLE POLE
- 0-W/O SHIELD
- 1-NO TAB
- 2-TOP TABS.
- 3-SIDE TABS.
- 4-TOP TABS & SIDE TABS.

DETACHED LISTS	MM (INCH)	DFTO JERRY	DATE 3/28/00'
	TOLERANCES EXCEPT AS NOTED	CHKD	DATE
		MFO	DATE
		APPVL	DATE
		MATERIAL :	
		QT'Y :	
	FINISH :		
	SCALE : 1.5:1		

FULL RISE ELECTRONIC CO., LTD

TITLE
LED GANG JACK 4 PORTS

DRAWING NO. GE5J3A02 SIZE A3 REV 9
/PART NO. SEE NOTE

DO NOT SCALE DRAWING SHEET 1 OF 1