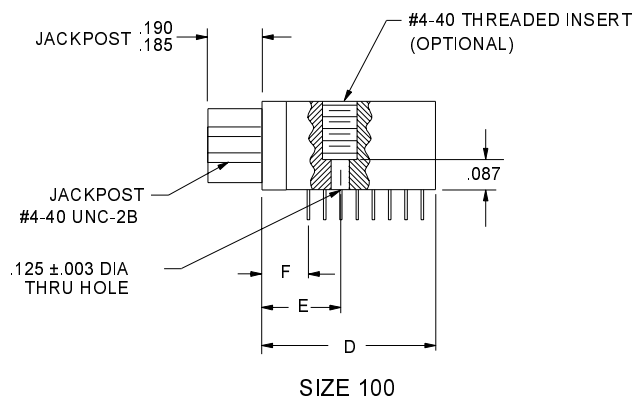
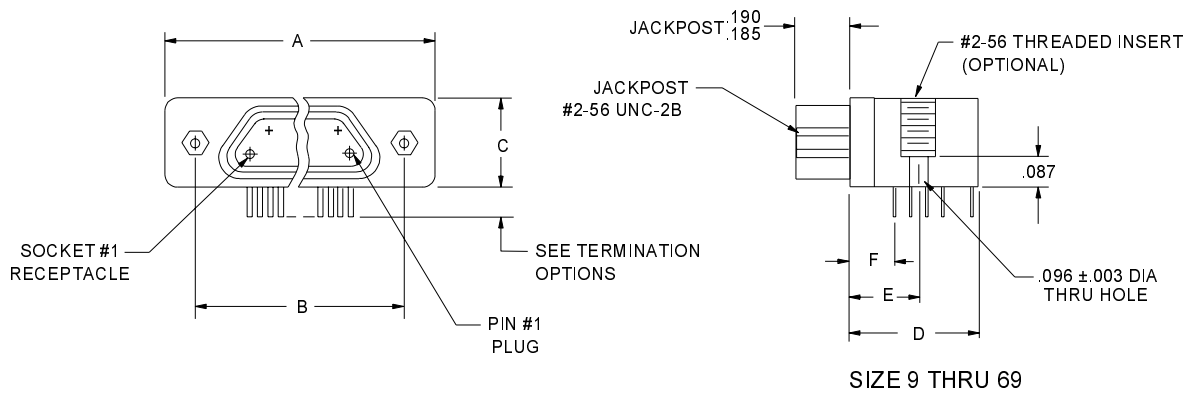


NO. OF POSITIONS	A MAX	B NOM	C MAX	D MAX	E	F
9	.787	.565	.325	.425	.25	.23
15	.937	.715	.325	.425	.25	.13
21	1.087	.865	.325	.425	.25	.13
25	1.187	.965	.325	.425	.25	.13
31	1.337	1.115	.325	.525	.25	.13
37	1.487	1.265	.325	.525	.25	.13
51	1.435	1.215	.360	.660	.30	.15
69	1.735	1.515	.360	.650	.30	.15
100	2.175	1.800	.420	1.010	.40	.20



CRISTEK INTERCONNECTS, INC.
 www.cristek.com
 1301 S. Lewis St.
 Anaheim, CA 92805
 Phone: (714) 618-2000
 FAX: (714) 535-4897

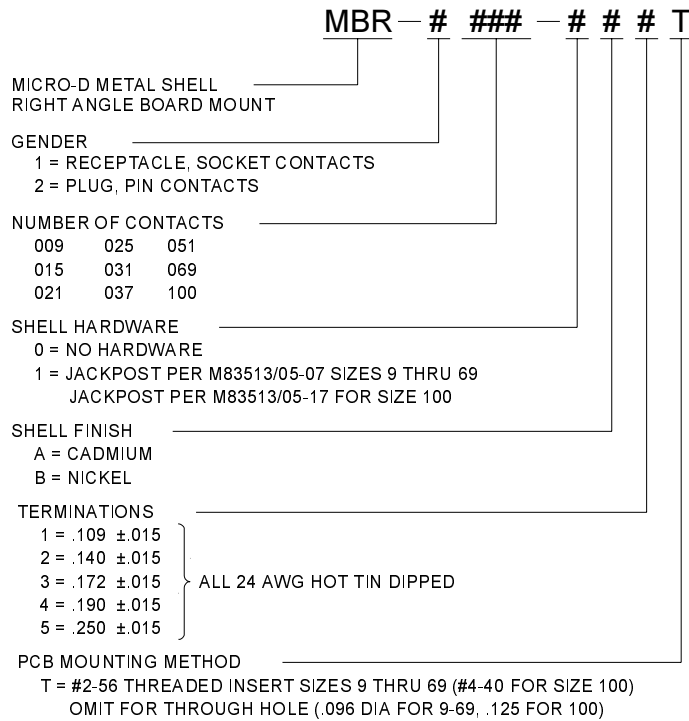
TITLE
**MICRO D METAL SHELL
 RIGHT ANGLE P.C.B. MOUNT**

FILENAME
ADS-MBR-1

DWG. NO.
MBR

CODE IDENT NO. 67720	SHT 1 OF 4	REV F
--------------------------------	--------------------------	-----------------

TOLERANCE: .XXX ± .005 .XX ± .01 ANGLE ± 1°



1. MATERIALS:

SHELL - ALUMINUM PER QQ-A-200/8, QQ-A-250/11, OR QQ-A-591
 INSULATOR - DIALLYL PHTHALATE PER MIL-M-14G, TYPE SDG-F
 BACKSHELL - POLYPHENYLENE SULFIDE PER MIL-M-24519
 TYPE GST-40F
 PIN CONTACT - BERYLLIUM COPPER
 SOCKET CONTACT - COPPER ALLOY
 INTERFACIAL SEAL - FLUOROSILICONE BLEND

2. FINISH:

SHELL - CADMIUM PER QQ-P-416, TYPE II, CLASS 3 OVER
 ELECTROLESS NICKEL PER AMS 2404 OR
 ELECTROLESS NICKEL PER AMS 2404
 CONTACT - GOLD PER MIL-G-45204, TYPE II, GRADE C,
 CLASS I OVER NICKEL PER QQ-N-290.

3. SPECIFICATIONS:

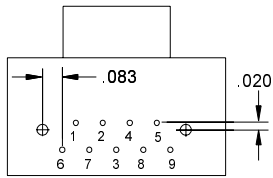
CURRENT RATING ----- 3 AMPS MAX
 TEMPERATURE RATING ----- -55° C TO +125° C
 INSULATION RESISTANCE ----- 5000 MEGOHMS MIN
 DWV AT SEA LEVEL ----- 600 VAC
 DWV AT 70,000 FT ALTITUDE --- 150 VAC
 CONTACT RESISTANCE ----- 8 MILLIOHMS MAX AT 2.5 AMPS
 LOW LEVEL CONTACT ----- 10 MILLIOHMS MAX
 RESISTANCE
 CONTACT RETENTION ----- 5 lb MINIMUM AXIAL LOAD
 ENGAGEMENT FORCE ----- 6 oz MAX
 SEPARATION FORCE ----- 0.5 oz MIN

4. ADDITIONAL INFORMATION:

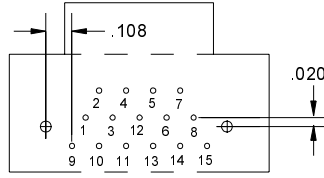
DESIGN AND PERFORMANCE IN GENERAL
 ACCORDANCE WITH M83513
 CONTACT CRISTEK FOR OTHER CONFIGURATIONS

CRISTEK INTERCONNECTS, INC. www.cristek.com 1301 S. Lewis St. Anaheim, CA 92805 Phone: (714) 618-2000 FAX: (714) 535-4897	TITLE MICRO D METAL SHELL RIGHT ANGLE P.C.B. MOUNT	DWG. NO. MBR	
	FILENAME ADS-MBR-2	CODE IDENT NO. 67720	SHT 2 OF 4
TOLERANCE: .XXX ±.005 .XX ±.01 ANGLE ±1°			

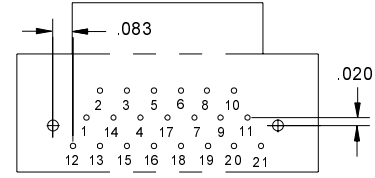
1.2 MICRO CONNECTORS / MOTS



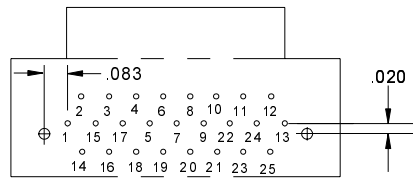
9 CONTACTS



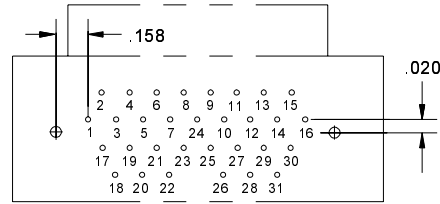
15 CONTACTS



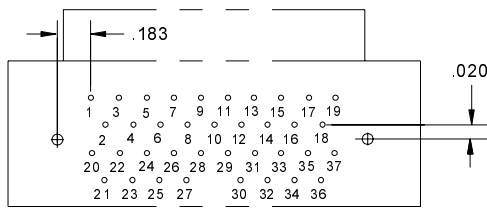
21 CONTACTS



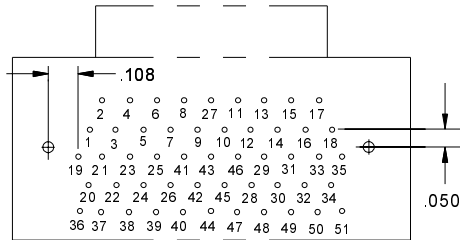
25 CONTACTS



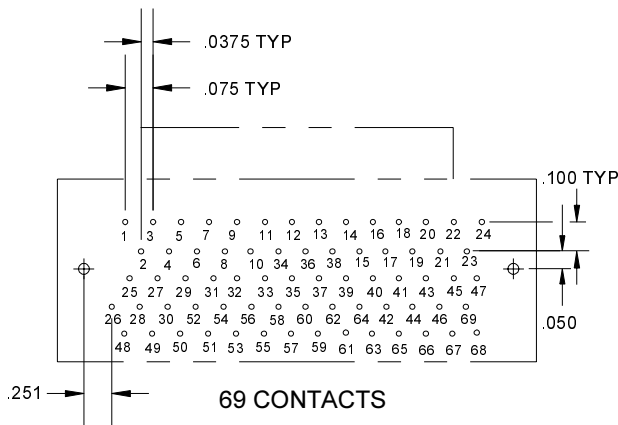
31 CONTACTS



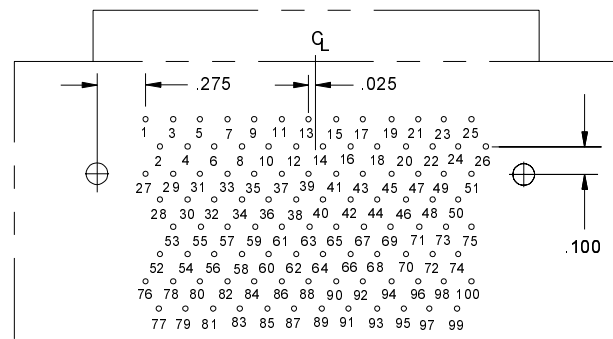
37 CONTACTS



51 CONTACTS



69 CONTACTS

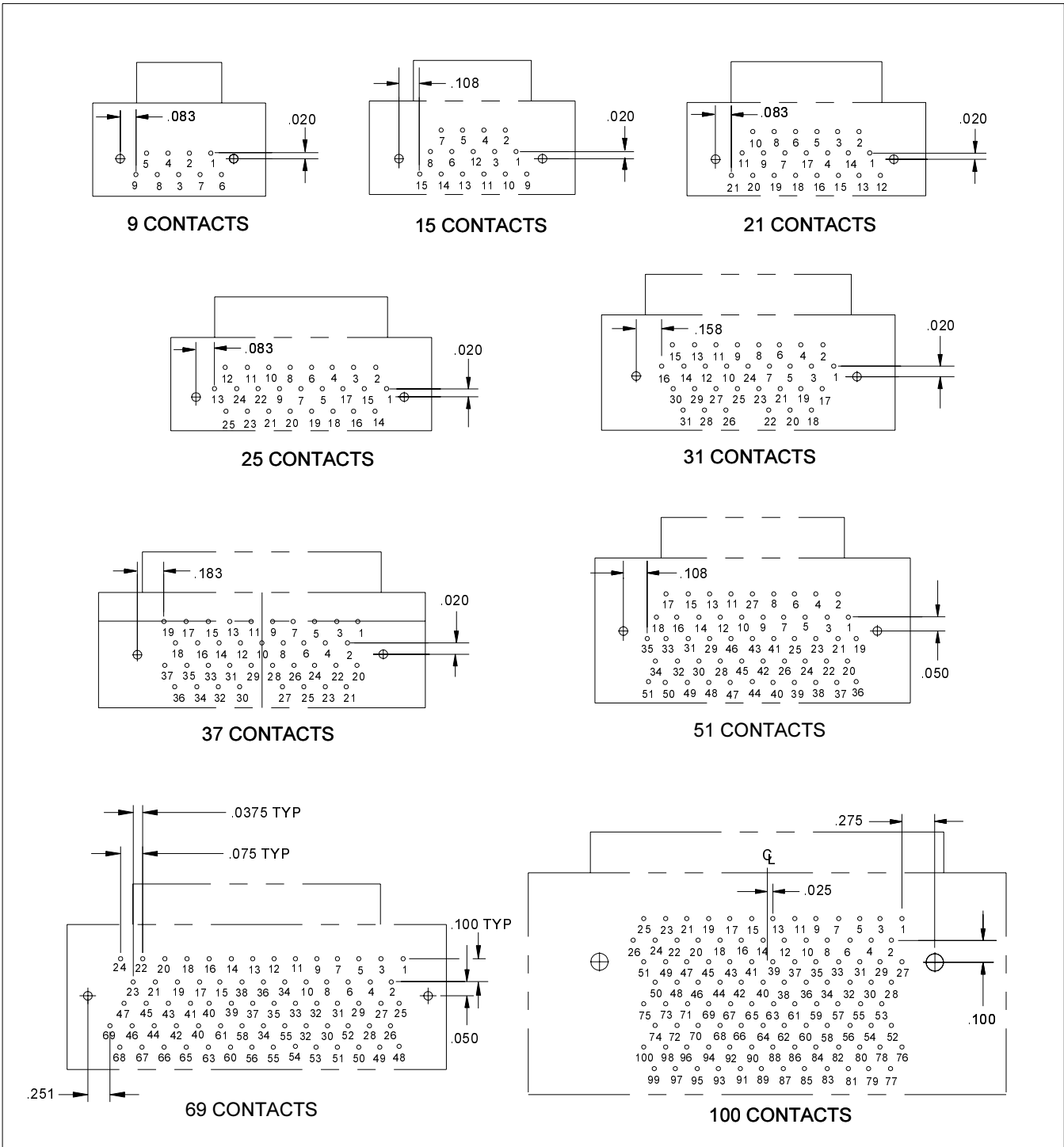


100 CONTACTS

MBR PLUG PCB LAYOUTS (BOTTOM VIEW OF RECEPTACLE - EXCEPT 69 & 100)

.100 X .100 GRID PATTERN OFFSET .050 (EXCEPT 69)

CRISTEK INTERCONNECTS, INC. www.cristek.com 1301 S. Lewis St. Anaheim, CA 92805 Phone: (714) 618-2000 FAX: (714) 535-4897	TITLE	DWG. NO.		
	MICRO D METAL SHELL RIGHT ANGLE P.C.B. MOUNT	MBR		
	FILENAME	CODE IDENT NO.	SHT	REV
ADS-MBR-3	67720	3 OF 4	F	
		TOLERANCE: .XXX ±.005 .XX ±.01 ANGLE ±1°		



MBR RECEPTACLE PCB LAYOUTS (BOTTOM VIEW OF PLUG - EXCEPT 69 & 100)

.100 X .100 GRID PATTERN OFFSET .050 (EXCEPT 69)

CRISTEK INTERCONNECTS, INC. www.cristek.com 1301 S. Lewis St. Anaheim, CA 92805 Phone: (714) 618-2000 FAX: (714) 535-4897	TITLE	MICRO D METAL SHELL RIGHT ANGLE P.C.B. MOUNT			DWG. NO.	MBR	
	FILENAME	ADS-MBR-4			CODE IDENT NO. 67720	SHT 4 OF 4	REV F
						TOLERANCE: .XXX ±.005 .XX ±.01 ANGLE ±1°	