

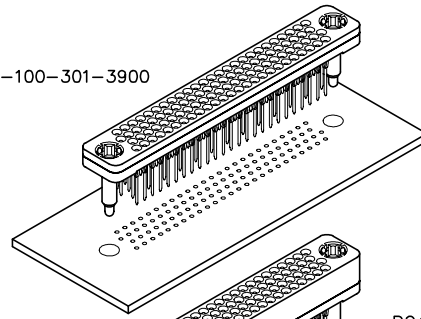
# 4 • ROW Press Fit Stackable

.075"

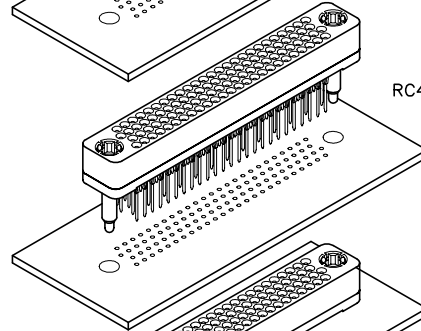
**RC4**

28 thru 300 Contacts

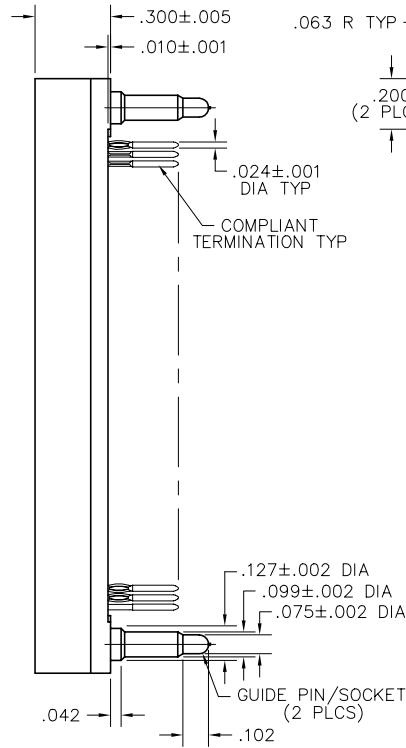
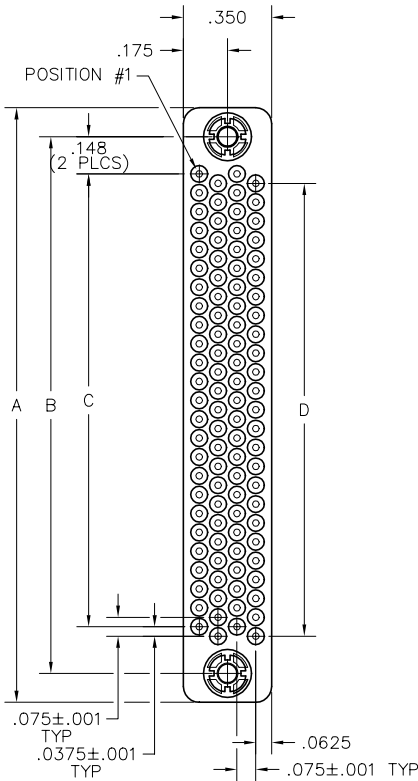
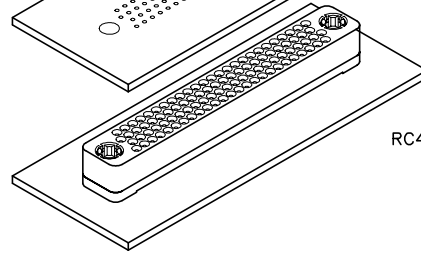
RC442-100-301-3900



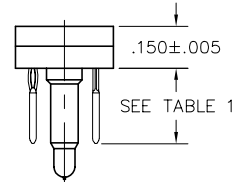
RC422-100-201-3900



RC422-100-101-3000

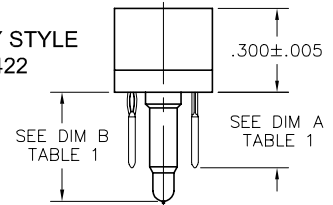


**BODY STYLE 442**

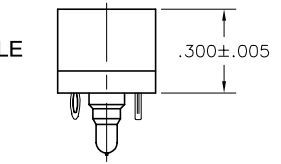


OPTIONAL INSULATOR FOR TOP CONNECTOR TERMINATION OPTIONS: 301, 311, 321, 331, 341 (W/CIRCUIT TEST POINT)

**BODY STYLE 422**



**BODY STYLE 422**



CONTACT/HARDWARE OPTION 101 (TERMINATES CIRCUIT)

DIMENSIONS			
SIZE	A	B	C
28	1.014	.784	.450
52	1.464	1.234	.900
100	2.364	2.134	1.800
152	3.339	3.109	2.775
200	4.239	4.009	3.675
252	5.214	4.984	4.650
300	6.114	5.884	5.550

CONTACT TERMINATION	TABLE 1	
	CONTACT A	HARDWARE B
201, 301	.270	.370
211, 311	.300	.400
221, 321	.400	.500
231, 331	.500	.600
241, 341	.700	.800
251, 351	.800	.900
261, 361	.900	1.000
101	.095	.195

RC422-100- 211-4000  
XXXXX-XXX-XXX-XXXX

**SERIES**

RC Press fit stackable PC connector

**BODY**

**BODY STYLE:**

- 422 4 Row receptacle
- 442 4 Row low profile receptacle  
(Requires 301, 311, 321, 331, 341 contacts)

**SIZE**

028, 052, 100, 152, 200, 252, 300

**CONTACTS**

**TYPE CONTACTS/TERMINATIONS:**

- 101 Socket contact, press fit tail .095" (Use with body style 422 only)
- 201 Socket contact, press fit tail .270" (Use with body style 422 only)
- 211 Socket contact, press fit tail .300" (Use with body style 422 only)
- 221 Socket contact, press fit tail .400" (Use with body style 422 only)
- 231 Socket contact, press fit tail .500" (Use with body style 422 only)
- 241 Socket contact, press fit tail .700" (Use with body style 422 only)
- 251 Socket contact, press fit tail .800" (Use with body style 422 only)
- 261 Socket contact, press fit tail .900" (Use with body style 422 only)
- 271 Socket contact, press fit tail .600" (Use with body style 422 only)
- 301 Press fit tail .270" (Use with body style 442 or 422)
- 311 Press fit tail .300" (Use with body style 442 or 422)
- 321 Press fit tail .400" (Use with body style 442 or 422)
- 331 Press fit tail .500" (Use with body style 442 or 422)
- 341 Press fit tail .700" (Use with body style 442 or 422)
- 351 Press fit tail .800" (Use with body style 442 or 422)
- 361 Press fit tail .900" (Use with body style 442 or 422)
- 371 Press fit tail .600" (Use with body style 442 or 422)

**HARDWARE**

**STYLE OF HARDWARE:**

- 0256 No hardware
- 3000 Guide hardware, (Use with -101 contact)
- 3900 Guide hardware, (Use with -201 or -301 contact)
- 4000 Guide hardware, (Use with -211 or -311 contact)
- 4100 Guide hardware, (Use with -221 or -321 contact)
- 4200 Guide hardware, (Use with -231 or -331 contact)
- 4300 Guide hardware, (Use with -241 or -341 contact)
- 4400 Guide hardware, (Use with -251 or -351 contact)
- 4500 Guide hardware, (Use with -261 or -361 contact)
- 4600 Guide hardware, (Use with -271 or -371 contact)

**CONTACT/  
TERMINATION  
TYPES**



101



201 241  
211 251  
221 261  
231 271



301 341  
311 351  
321 361  
331 371

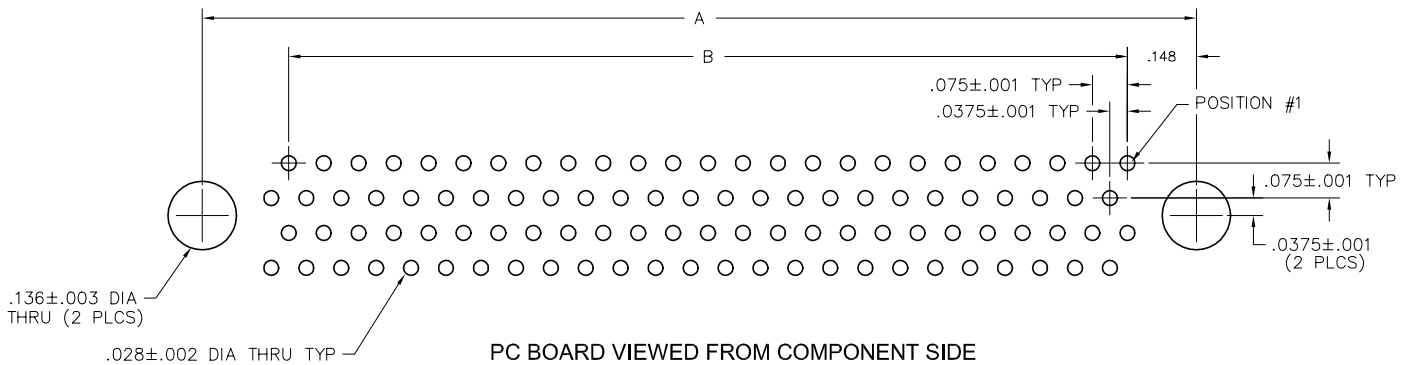
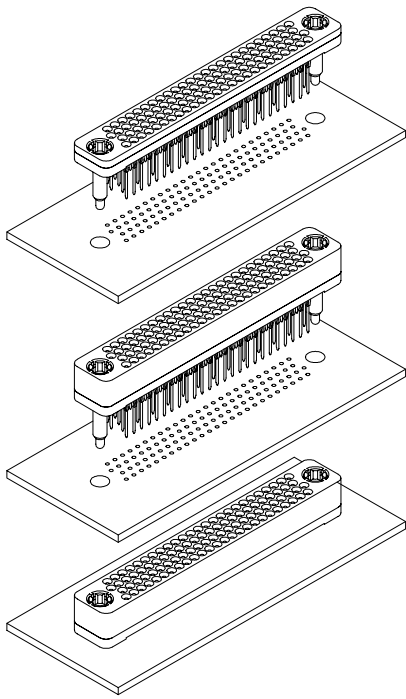
Minimum contact engagement from mating face (.305" insulator height) ..... .114"  
 Maximum contact engagement from mating face (.295" insulator height) ..... .214"  
 Minimum PWB thickness ..... .058"

# 4 • ROW Press Fit Stackable

.075"

**RC4**

28 thru 300 Contacts  
Recommended  
Board Layout



SIZE	CONTACT ID	SIZE	CONTACT ID
28		200	
52		252	
100		300	
152			

DIMENSIONS		
SIZE	A	B
28	.784	.450
52	1.234	.900
100	2.134	1.800
152	3.109	2.775
200	4.009	3.675
252	4.984	4.650
300	5.884	5.550

**4 • ROW**  
**Press Fit**  
**Stackable**

.075"

**RC4**

28 thru 300 Contacts

**Typical**  
**Applications**

