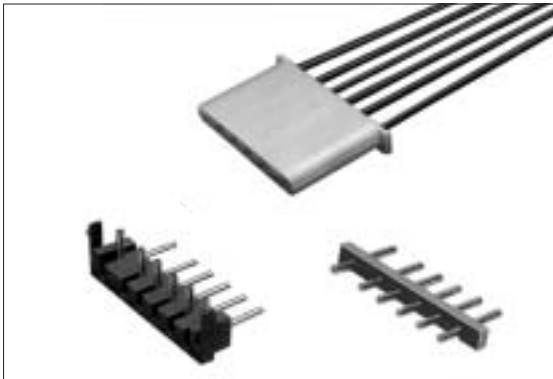


# MI Series 5.0mm Spacing



## Features

1. MI series connectors are crimp type connectors featuring pins set at 5.0mm spacing. Socket and plug connections for this model measures 23.5mm high and 5.7mm thick.
2. Straight plug-in designs for plugs in this connector series are available in 6 different pin types.
3. A lead-free product.

## Specifications

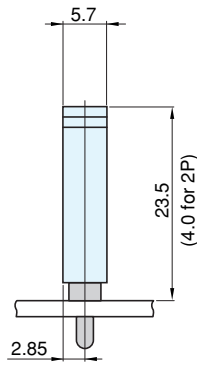
1. Rating : 5A 250V AC/DC
2. Contact Resistance : 20mΩ max.
3. Insulation Resistance : 1000MΩ min. at 500V DC
4. Withstanding Voltage : 1500V AC for one minute.
5. Operating Temperature Range : -25°C to +85°C
6. Applicable Wire Size : SWG18 to 24  
(Sheath dia.  $\phi$ 0.9 to  $\phi$ 3.0mm)
7. Applicable P.C. Board Thickness : 1.6mm

## Note

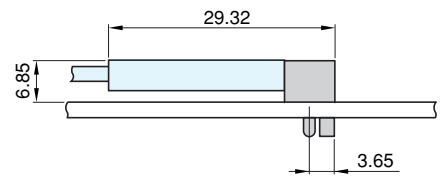
Custom made models will be available upon request.

## Connection Diagram

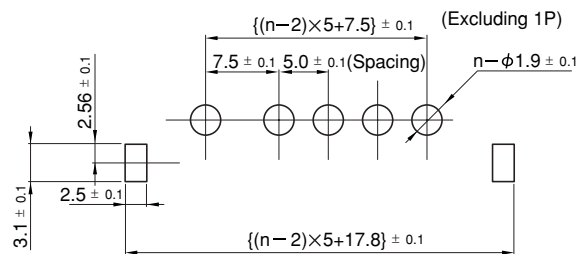
### Straight Type



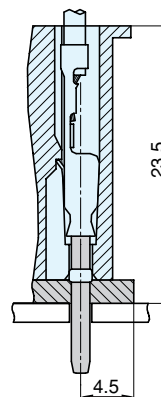
### Right-Angle Type



## P.C. Board Dimension

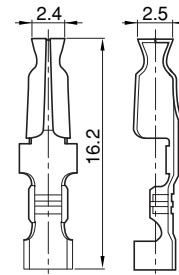


## Structural Diagram



● Terminal

Part No.	Applicable Electrical Wire Size (AWG)	Electrical Wire Sheath Dia. (mm)	Material	Plating	No. of Terminal/Reel
W-T0502-11#01	18~24	φ 3.0~1.0	Brass	Tinned (Reflow Treatment)	2,800
W-T0504-11#01	20~24	φ 2.7~0.9			3,000

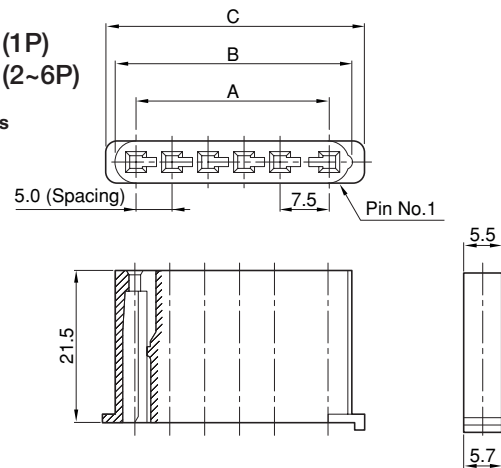


● Housing

No. of Pins	Part No.	A	B	C
1	W-A5501-1N#02	—	7.0	10.25
2	W-A5002-1N#02	7.5	13.4	16.50
3	W-A5003-1N#02	12.5	18.4	21.50
4	W-A5004-1N#02	17.5	23.4	26.50
5	W-A5005-1N#02	22.5	28.4	31.50
6	W-A5006-1N#02	27.5	33.4	36.50

W-A55□□1N#02 (1P)  
W-A50□□1N#02 (2~6P)

↑ No. of Pins



■ Material and Plating

● Housing : Polyamide (PA), Natural Color, 94V-0

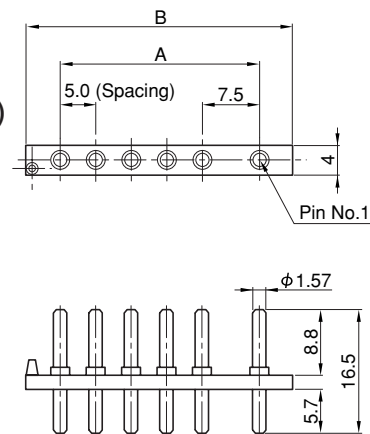
● Plug

No. of Pins	Straight Type	Right-Angle Type	A	B	C
1	W-P3001#01F	—	—	φ6.0	—
2	W-P3002#02F	—	7.5	16.5	—
3	W-P3003#02F	W-P6103#02F	12.5	21.5	22.0
4	W-P3004#02F	W-P6104#02F	17.5	26.5	27.0
5	W-P3005#02F	W-P6105#02F	22.5	31.5	32.0
6	W-P3006#02F	W-P6106#02F	27.5	36.5	37.0

Straight Type

W-P30□□#01F (1P)  
W-P30□□#02F (2~6P)

↑ No. of Pins



■ Material and Plating

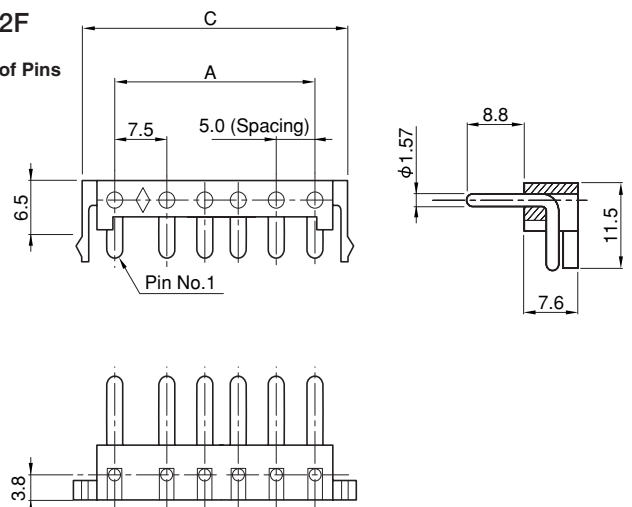
● Housing : Polyamide (PA), Natural Color, 94V-0

● Plug Pin : Brass, Tin Plating (1P)  
Silver Plating (2~6P)

Right-Angle Type

W-P61□□#02F

↑ No. of Pins



■ Material and Plating

● Housing : Polyphenylene Oxide (PPO), Gray, 94V-1

● Plug Pin : Brass, Tin Plating (3P)  
Silver Plating (4~6P)