

ERNIPRESS

Power Tap Connector for Pressfit Backplanes



General

The use of the pressfit termination technique is a widely accepted, high quality and economical method for making connections on a system backplane.

For the connection of power supply cables, ERNI has developed the 2-row Power Tap connector with this preferred compliant pressfit termination.

The power supply cables can be connected through either terminal lugs to the screw mount type or with slip-on receptacles to the slip-on tab type of the Power Tap.

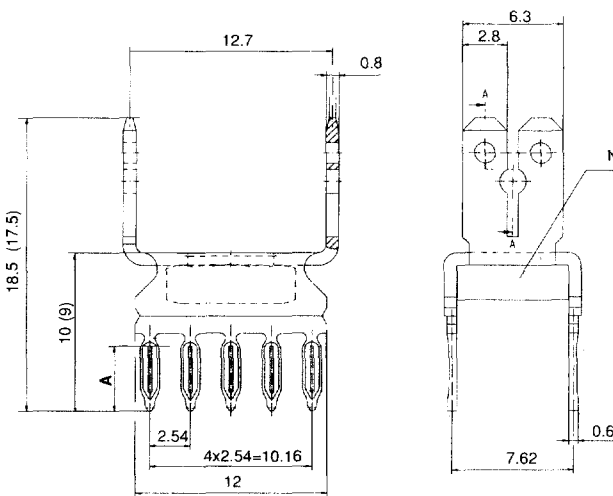
Features

- 5 pressfit pins per side (2 sided).
- The operating current is determined by characteristics of the PCB and the cable termination.
- The slip-on tab cable type can be connected on a tab width of either 6.3x0.8 or 2.8x0.8mm per DIN 46 244.
- The screw mount cable type accommodates a M3 or M4 screw.
- Material / Plating: Cu Sn 6 / 2-3 μ m Ni, 1-2 μ m Sn

Dimensional drawings

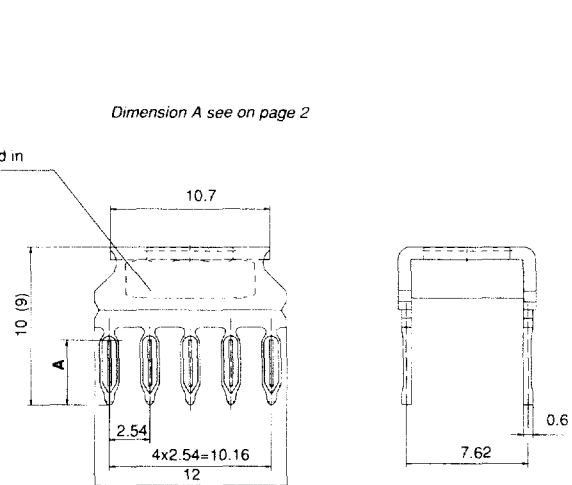
Power Tap connection for slip-on tabs

M4 screw possible, but not supplied



Power Tap connection for screw mount

M4 or M3 screw not supplied



Ordering instructions for Power Tap connectors

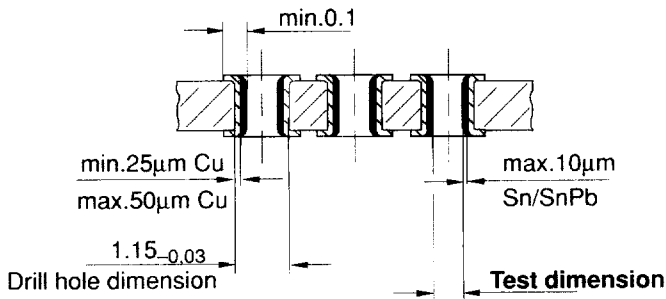
for slip-on tabs

Power Tap connectors with slip-on tabs		
Screw Size	Dimension A <i>mm</i> <small>(see dimensional drawings)</small>	Part number <i>without screw</i>
M4	3,0	024 660
M4	4,0	434 759

for screw mount

Power Tap connectors for screw mount		
Screw Size	Dimension A <i>mm</i> <small>(see dimensional drawings)</small>	Part number <i>without screw</i>
M4	3,0	024 661
M4	4,0	014 504
M3	4,0	044 107

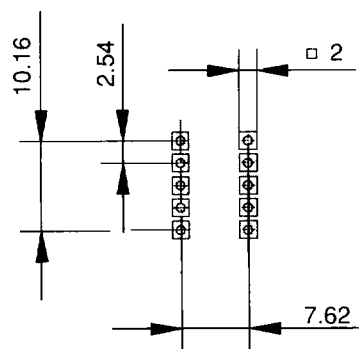
Recommended PCB hole for Power Tap terminal connection



Test dimension:

Compliant press-fit zone 1.0_{-0.06}^{+0.09} mm

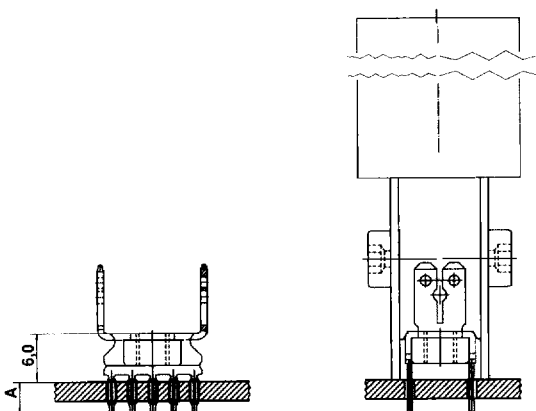
Printed board hole pattern



Ordering instructions, Accessory components

Item	Standard	Part number
Cheese-head screw M4x6	DIN 84	022 636
Recessed raised cheese-head screw M4x6	DIN 7985	051 881
Washer 4,3 form B	DIN 125	001 765
Toothed lock washer 4,3 form A	DIN 6797	033 412

Press-in tooling for Power Tap terminal connection



Ordering instructions for press-in tooling

Press-in top section with pin Ø 20mm <i>Use standard press-in bottom section, e.g. 473 362</i>
Part number
471 738

You can find further information on solderless press-in technology from ERNI in the ERNIPRESS data sheet.

For questions relating to press-in technology, please contact our Sales office for assistance.