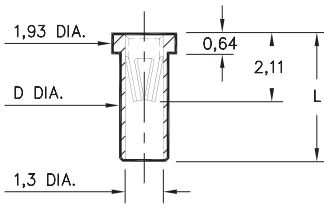


0305



Basic Part Number	Length L	Dia. D
0305-0	2,41	1,42
0305-1	2,67	1,47
0305-2	3,94	1,47

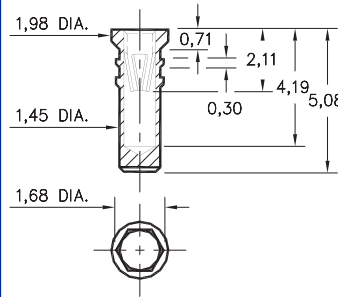
T&R Packaging

Basic Part Number	Tape Width	Parts per 330mm Reel
0305-0	8mm	6,000
0305-1	8mm	6,000
0305-2	24mm	1,500

0305-X-15-XX-47-XX-10-0

Solder mount in 1,5/1,55 mounting hole
Also available on 8mm or 24mm wide carrier tape: See chart for Details.
Order as: 0305-X-57-XX-47-XX-10-0

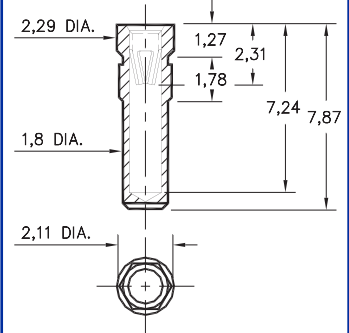
0279



0279-0-15-XX-47-XX-10-0

Hex press-fit in 1,57 plated thru hole

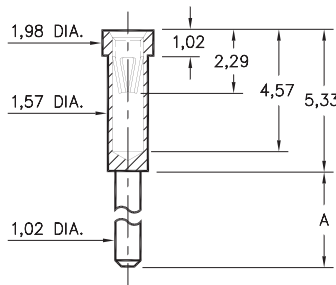
0330



0330-0-15-XX-47-XX-10-0

Hex press-fit in 2,01 plated thru hole

0300/8300

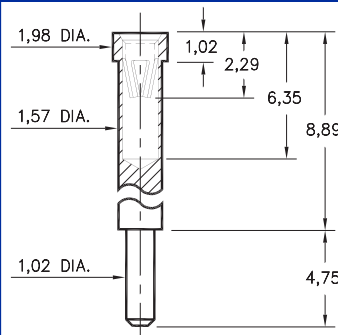


Basic Part Number	Length A
0300-1	2,79
0300-2	4,75
8300-0	3,56

X300-X-15-XX-47-XX-10-0

Solder mount in 1,07 min. mounting hole

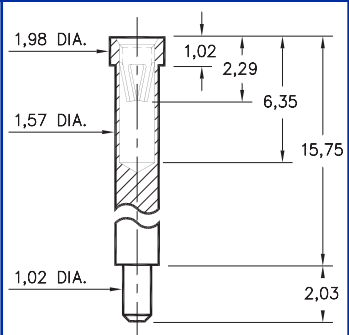
0301



0301-1-15-XX-47-XX-10-0

Solder mount in 1,07 min. mounting hole

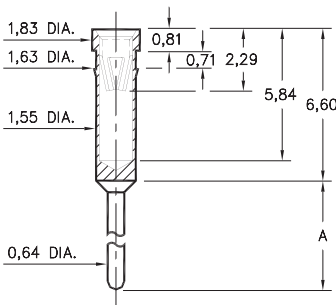
0309



0309-2-15-XX-47-XX-10-0

Solder mount in 1,07 min. mounting hole

0399

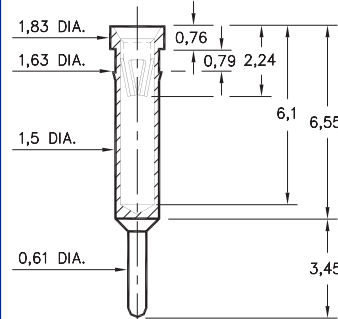


Basic Part Number	Length A
0399-0	5,84
0399-1	4,57

0399-X-15-XX-47-XX-04-0

Press-fit in 1,55 mounting hole

1304



1304-0-15-XX-47-XX-04-0

Press-fit in 1,55 mounting hole

SPECIFICATIONS

SHELL MATERIAL:
Brass Alloy 360, 1/2 Hard

CONTACT MATERIAL:
Beryllium Copper Alloy 172, HT

DIMENSION IN INCHES TOLERANCES ON:
LENGTHS: ±0,13
DIAMETERS: ±0,05
ANGLES: ± 2°

ORDER CODE: XXXX - X - 15 - XX - 47 - XX - XX - 0

BASIC PART #

SPECIFY SHELL FINISH:
01 5,08µm TIN/LEAD OVER NICKEL
◇ 80 5,08µmTIN OVER NICKEL (RoHS)
◇ 15 0,25µm GOLD OVER NICKEL (RoHS)

SPECIFY CONTACT FINISH:
01 5,08µm TIN/LEAD OVER NICKEL
◇ 80 5,08µm TIN OVER NICKEL (RoHS)
◇ 27 0,76µm GOLD OVER NICKEL (RoHS)



CONTACT

#47 CONTACT (DATA ON PAGE 221)