

**H MICRO SWITCH**  
 FREEPORT, ILLINOIS, U.S.A.  
 A DIVISION OF HONEYWELL  
 FED. REG. CODE 91029

**SWITCH-TOGGLE**

CATALOG LISTING  
**11TW19 SERIES**  
**CHART 3**

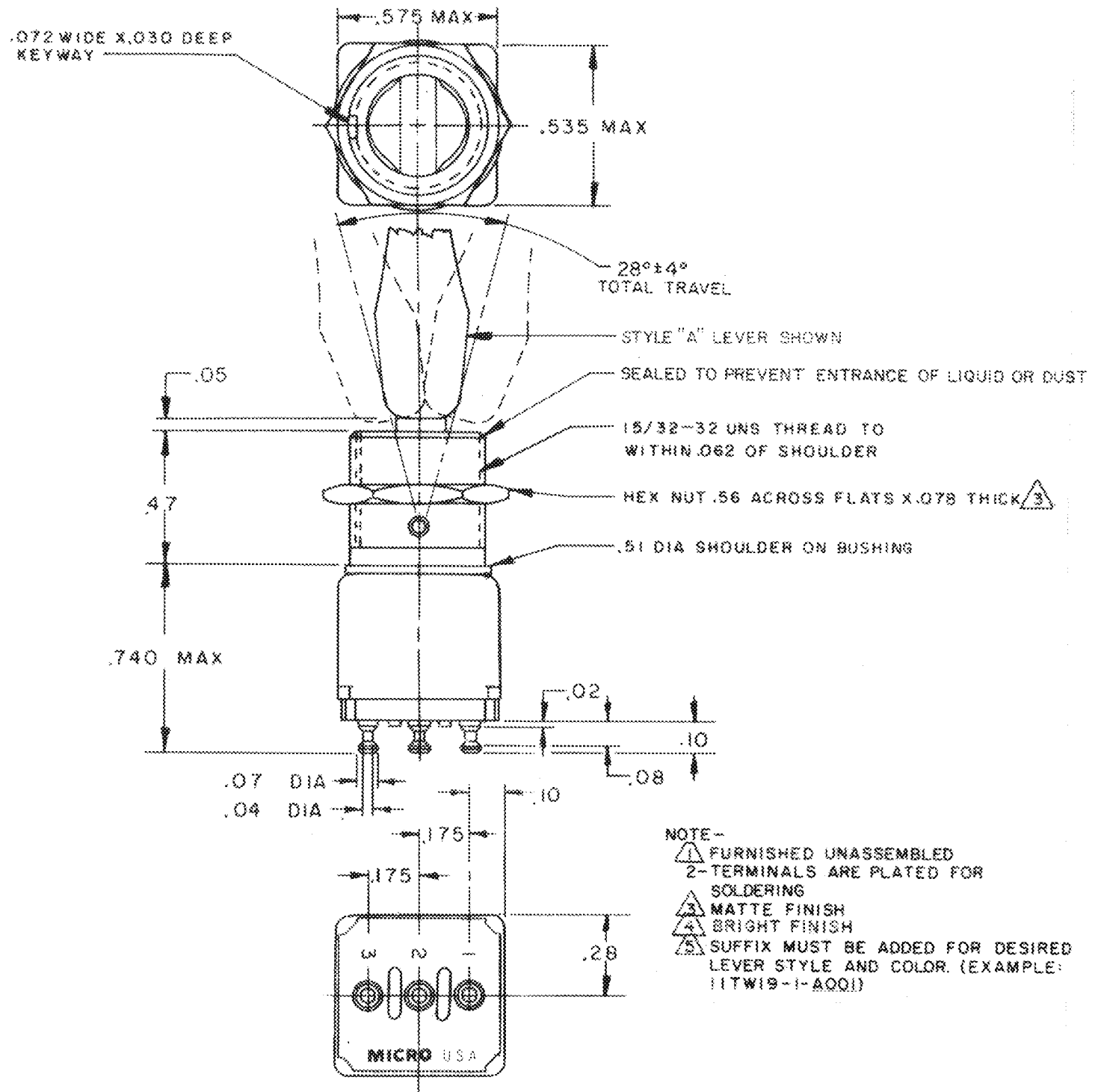
**M11TW19 SERIES**

DRAWING NUMBER  
**X 8 X 5 10**

ISSUE  
**8 X 5 10**

REVISIONS  
 A 0027404  
 13 MAY 70  
 B 0027821  
 0027850  
 3 SEP 70  
 C 43472  
 5 MAY 81  
 D 0050865  
 12 DEC 81  
 E 0053660  
 10 OCT 83  
 F 54927  
 12 MAY 84  
 G PR-13896  
 JAS  
 20 MAY 85  
 H 0061252  
 JAF  
 16 MAR 87  
 J 0062939  
 TSK  
 24 FEB 89

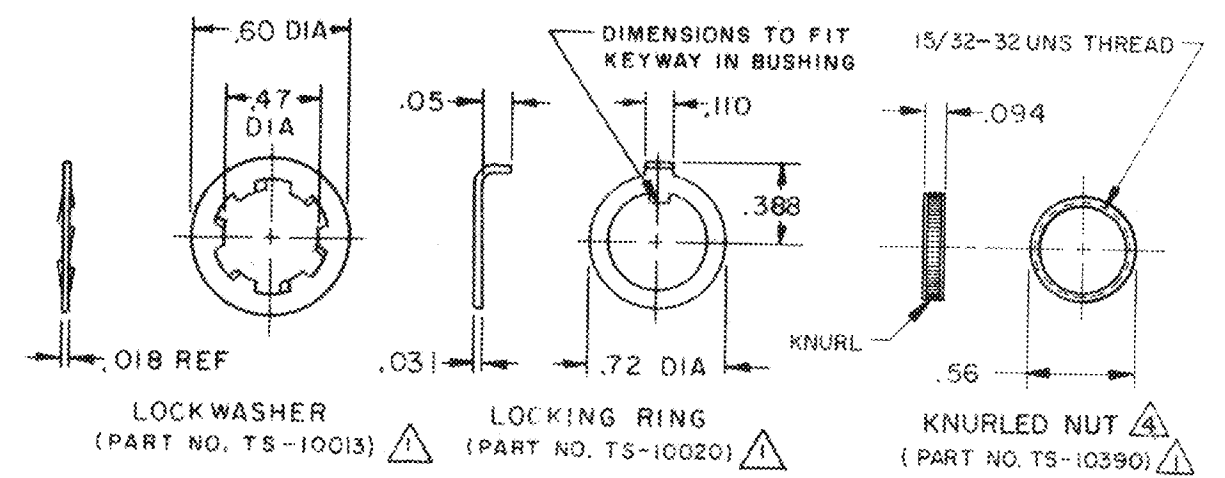
KAS 13 APR 70  
 13 APR 70  
 13 APR 70



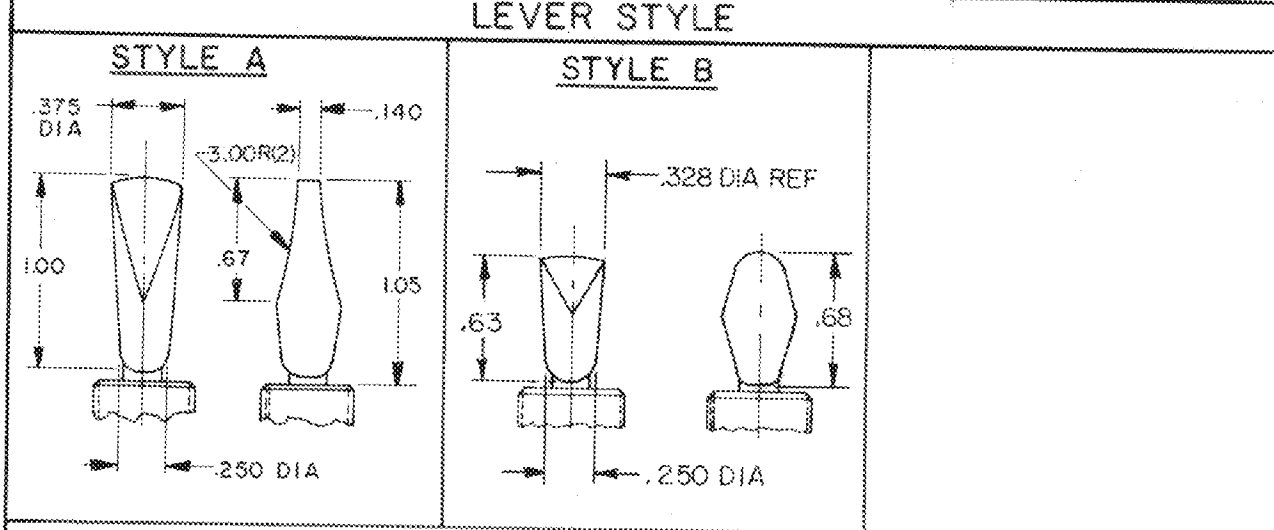
NOTE -  
 1 FURNISHED UNASSEMBLED  
 2-TERMINALS ARE PLATED FOR SOLDERING  
 3 MATTE FINISH  
 4 BRIGHT FINISH  
 5 SUFFIX MUST BE ADDED FOR DESIRED LEVER STYLE AND COLOR. (EXAMPLE: 11TW19-1-A001)

THIS DRAWING COVERS A PROPRIETARY ITEM AND IS THE PROPERTY OF MICRO SWITCH, A DIVISION OF MINNEAPOLIS-HONEYWELL REGULATOR CO. THIS DRAWING IS NOT TO BE COPIED OR USED WITHOUT THE APPROVAL OF MICRO SWITCH.

CHARACTERISTICS	ELECTRICAL DATA	SCALE 2 TO 1
	CONTACT ARRANGEMENT	DO NOT SCALE PRINT
		UNLESS OTHERWISE NOTED
		DIMENSIONS ARE IN INCHES
		TOLERANCES ARE:
		ONE PLACE (1.0) 0.030
		TWO PLACE (1.00) 0.015
		THREE PLACE (1.000) 0.005
		ANGLES 1/2
		WEIGHT .025 LB MAX



CATALOG LISTING	ONE EXTREME POSITION (KEYWAY) 2-1	CENTER POSITION	OTHER EXTREME POSITION (OPPOSITE KEYWAY) 2-3
11 TW19-1	ON	OFF	ON
11 TW19-2	OFF	NONE	ON
11 TW19-3	ON	NONE	ON
11 TW19-5	MOM ON	OFF	ON
11 TW19-7	MOM ON	OFF	MOM ON
11 TW19-8	MOM ON	NONE	ON



COLOR IDENT	COLOR	COLOR IDENT	COLOR	COLOR IDENT	COLOR
001	WT-07 WHITE				
002	BK-09 BLACK				
003	BL-05 BLUE				
004	RD-08 RED				
005	GN-08 GREEN				
006	OR-06 ORANGE				
007	GY-95 GRAY				