

.156" (3.96mm) Series 180, 280, 182, 282 Dual Readout Card Edge Connector



.156 (3.96) Centers
Card Edge
Series 180, 280, 182, 282
DUAL READOUT

PART NUMBER CODING (DUAL READOUT)

X8X - XXX - 01

CONTACT PLATING
CONTACT SURFACE TERMINATION
01 = .000010 GOLD GOLD FLASH
GOLD PLATED OVER .000050
NICKEL
FOR OTHER PLATINGS CONSULT
FACTORY

NUMBER OF CONTACT PAIRS

0 = 12
1 = 16
2 = 20
3 = 24
4 = 30
5 = 36
6 = 44
7 = 48

TERMINATION STYLE

0 = SOLDER EYE/.22 TAIL LENGTH
1 = SOLDER EYE/.29 TAIL LENGTH
2 = DIP SOLDER/.16 TAIL LENGTH
3 = DIP SOLDER/.25 TAIL LENGTH
8 = SOLDER EYE/.24 TAIL LENGTH
9 = DIP SOLDER/.20 TAIL LENGTH

MOUNTING STYLE (SEE PAGE 18G)

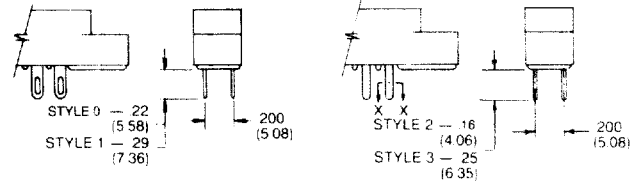
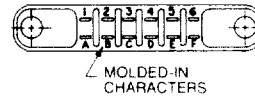
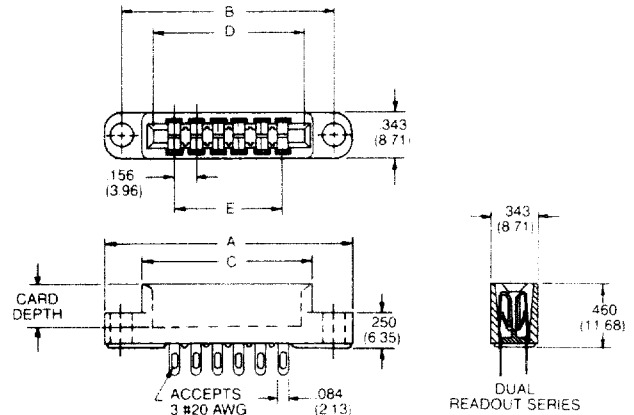
0 = CLEARANCE HOLE — .128 DIA. (3.25)
1 = CLEARANCE HOLE — .142 DIA. (3.61)
2 = FLOATING GROMMET — .115 I.D. (2.92)
3 = THREADED INSERTS — #4-40
6 = NO MOUNTING EARS

CARD INSERTION DEPTH

0 = .333 (8.46) CARD DEPTH
2 = .300 (7.62) CARD DEPTH

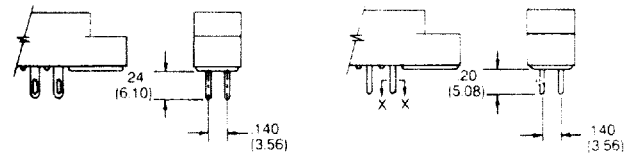
INSULATOR MATERIAL

1 = DIALLYL PHTHALATE — GREEN
2 = PHENOLIC — BLACK



**STYLE 0 & 1
SOLDER EYE**

**STYLE 2 & 3
DIP SOLDER**



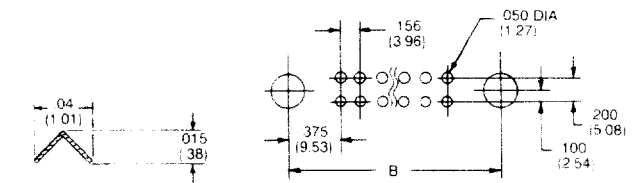
**STYLE 8
SOLDER EYE**

**STYLE 9
DIP SOLDER**

DUAL READOUT TERMINATION STYLE

PART NUMBER	NUMBER OF CONTACTS	DIMENSIONS (INCHES / MILLIMETERS)				
		A	B	C	D	E
X8X-XX0-XX	12	1.785 (45.34)	1.531 (38.89)	1.239 (31.47)	1.099 (27.91)	.781 (19.84)
X8X-XX1-XX	16	2.097 (53.26)	1.843 (46.81)	1.551 (39.40)	1.411 (35.84)	1.093 (27.76)
X8X-XX2-XX	20	2.410 (61.21)	2.156 (54.76)	1.864 (47.35)	1.724 (43.79)	1.406 (35.71)
X8X-XX3-XX	24	2.722 (69.14)	2.468 (62.69)	2.176 (55.27)	2.036 (51.71)	1.718 (43.64)
X8X-XX4-XX	30	3.191 (81.05)	2.937 (74.60)	2.645 (67.18)	2.505 (63.63)	2.187 (55.55)
X8X-XX5-XX	36	3.659 (92.94)	3.405 (86.49)	3.113 (79.07)	2.973 (75.51)	2.655 (67.44)
X8X-XX6-XX	44	4.284 (108.81)	4.030 (102.36)	3.738 (94.95)	3.598 (91.39)	3.280 (83.31)
X8X-XX7-XX	48	4.597 (116.76)	4.343 (110.31)	4.051 (102.90)	3.911 (99.34)	3.593 (91.26)

ALL DIMENSIONS ARE IN INCHES
DIMENSIONS IN () ARE IN MILLIMETERS



SECTION X-X

**MOUNTING PATTERN
DUAL READOUT
DIP STYLE TERMINALS**