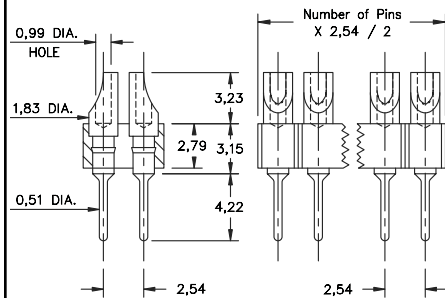
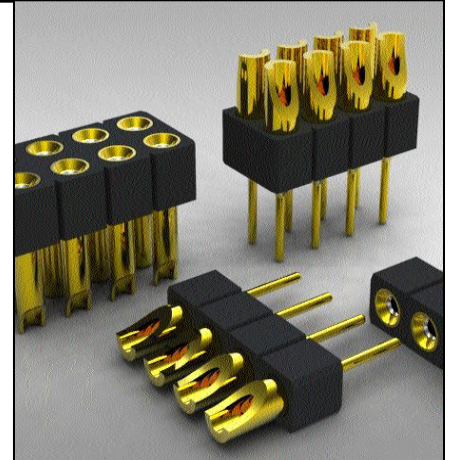


**Fig. 1**

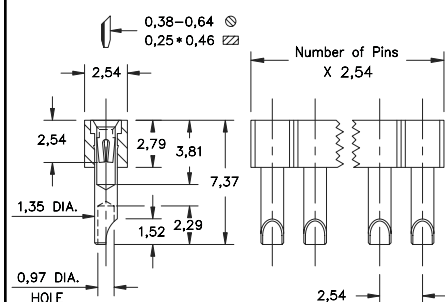
- Series 380 & 480 use M-M #8000 pins. See page 174 for details.
- Series 329 & 429 use M-M #2954 pin receptacles and accept pin diameters from 0,38 - 0,64. See page 140 for details.
- Series 329 & 429 receptacles use Hi-Rel, 4 finger #30 contacts rated at 3 amps. See page 208 for details.
- Solder cups are pre-aligned.



**Fig. 2**

**Ordering Information**

<b>Fig. 1</b>	<b>Series 380...001</b>	<b>Solder Cup / Solder Tail</b>
	380-XX-1 _ _ -00-001000	Specify # of pins → 01-64
<b>Fig. 2</b>	<b>Series 480...001</b>	<b>Solder Cup / Solder Tail</b>
	480-XX-2 _ _ -00-001000	Specify # of pins → 02-64



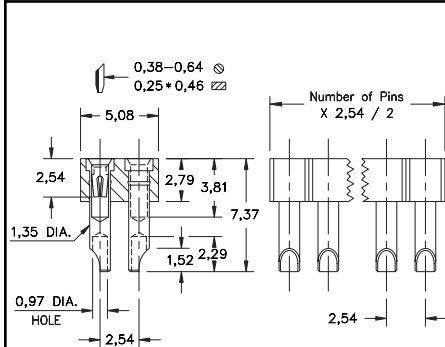
**Fig. 3**

**RoHS 2002/95/EC** **XX= Plating Code See Below**

*For RoHS compliance, select ◊ plating code. For the gold option (XX=10) also change part number from X80-XX-XXX-00-001000 to X80-10-XXX-00-001100*

SPECIFY PLATING CODE XX=	10 ◊	90 ◊	40 ◊	
Pin Plating	0,25µm Au	5,08µmSn/Pb	5,08µmSn	

<b>Fig. 3</b>	<b>Series 329...540</b>	<b>Solder Cup Sockets</b>
	329-XX-1 _ _ -41-540000	Specify # of pins → 01-64



**Fig. 4**

**RoHS 2002/95/EC** **XX= Plating Code See Below**

*For RoHS compliance, select ◊ plating code. For the gold option (XX=13) also change part number from X29-XX-XXX-41-540000 to X29-13-XXX-41-540100*

SPECIFY PLATING CODE XX=	13 ◊	93	43 ◊	
Sleeve (Pin)	0,25µmAu	5,08µmSn/Pb	5,08µmSn	
Contact (Clip)	0,76µmAu	0,76µmAu	0,76µmAu	